

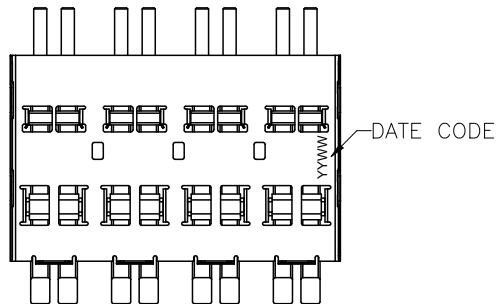
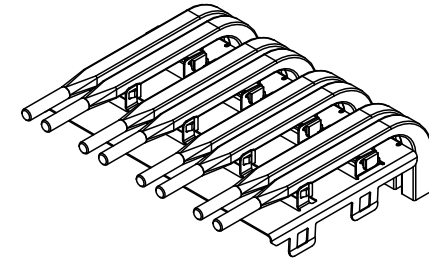
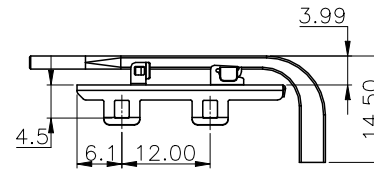
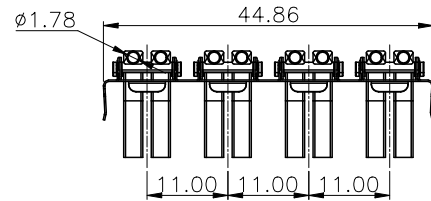
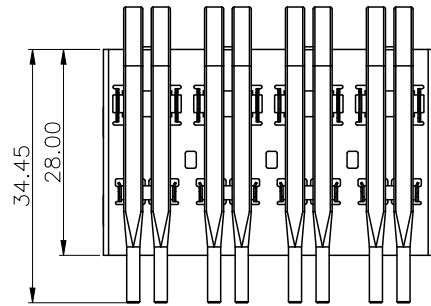
THIS DRAWING AND THE DATA DISCLOSED HEREIN OR HEREWITH IS NOT TO BE REPRODUCED USED OR DISCLOSED IN WHOLE OR IN PART TO ANYONE WITHOUT THE PERMISSION OF JESS-LINK PRODUCTS CO.,LTD.(JPC)

CUSTOMER DRAWING

REV.	ECN NO.	DESCRIPTION	MDF'D	APP'D	DATE
01		INITIAL DESIGN	Brown	Matsu	09/10/2012
02		MODIFY DRAWING FRAME & PACKAGING	Jason	Richard	09/18/2020
03					

NOTE:

- MATERIAL:FINISH  
LIGHTPIPE CLIP : STAINLESS STELL ALLOY  
LIGHTPIPE : CLEAR POLYCARBONATE
- DATE CODE: YYWW  
YY=YEAR OF MANUFACTURE  
WW=WEEK OF MANUFACTURE
- PACKAGE:TRAY
- MATES WITH JPC P9214A SERIES



2020.10.21  
17:27:39 +08'00'

<b>RoHS COMPLIANT</b>	<b>HALOGEN FREE</b>	Unit : mm	PROJECTION	<b>JPC connectivity</b>		PD./FILE NO.	
		GENERAL TOLERANCES: (UNLESS SPECIFIED)	D.R.	TITLE			
		0 = ±.50	09/10/2012	DUAL PORT LIGHTPIPE FOR			
		0.0 = ±.25	Brown	SFF 8644 EXTERNAL HD 1X4 PORT SERIES			
0.00 = ±.15	CH.K	09/10/2012	James	SCALE	SIZE	DWG NO.	REV. 02
0.000 = ±.05	APV.D	09/10/2012	Matsu	1:2	A4	P9214YLD000T-0	SHEET 1 OF 3
0° = ± 2'							
0.0° = ± 1'							

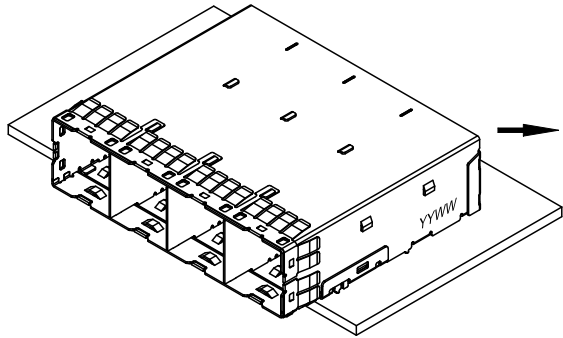
THIS DRAWING AND THE DATA DISCLOSED HEREIN OR HEREWITH IS NOT TO BE REPRODUCED USED OR DISCLOSED IN WHOLE OR IN PART TO ANYONE WITHOUT THE PERMISSION OF JESS-LINK PRODUCTS CO.,LTD.(JPC)

CUSTOMER DRAWING

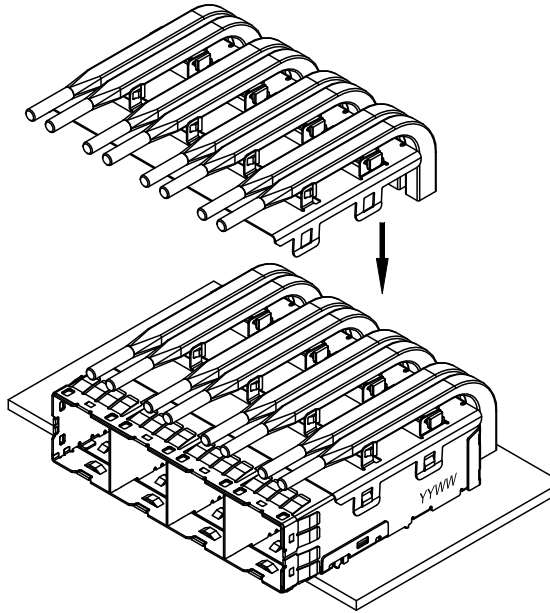
REV.	ECN NO.	DESCRIPTION	MDF'D	APP'D	DATE
01		INITIAL DESIGN	Brown	Matsu	09/10/2012
02		MODIFY DRAWING FRAME & PACKAGING	Jason	Richard	09/18/2020
03					



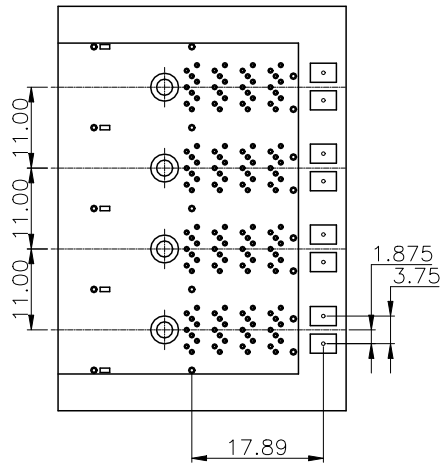
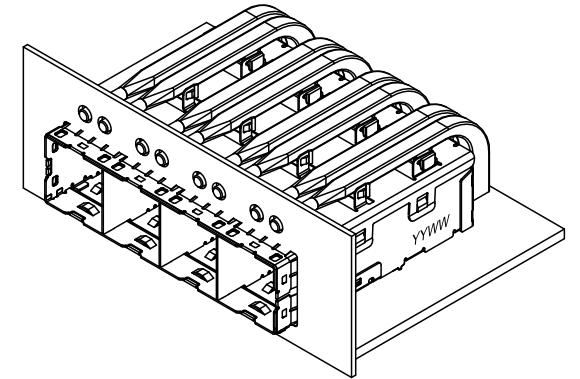
2020.10.21  
17:28:22 +08'00'



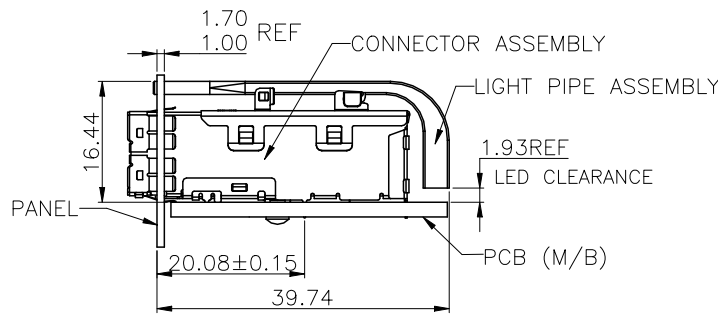
CONNECTOR AS APPLIED TO PCB



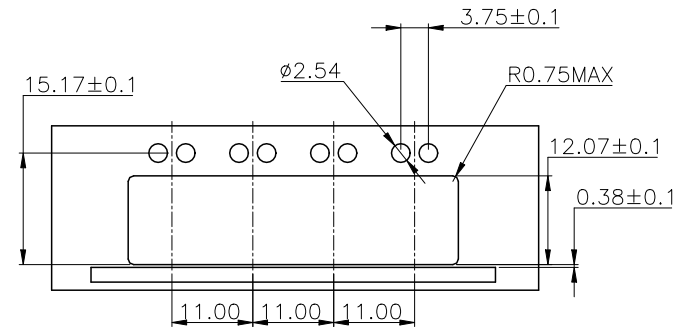
LIGHT PIPES AS APPLIED TO CONNECTOR



RECOMMENDED FOOTPRINT  
(FOR DUAL PORT LIGHT PIPE)



ASSEMBLED VIEW



I/O BRACKET CUT OUT FOR LIGHT PIPE  
(BRACKET NOT SUPPLIED)

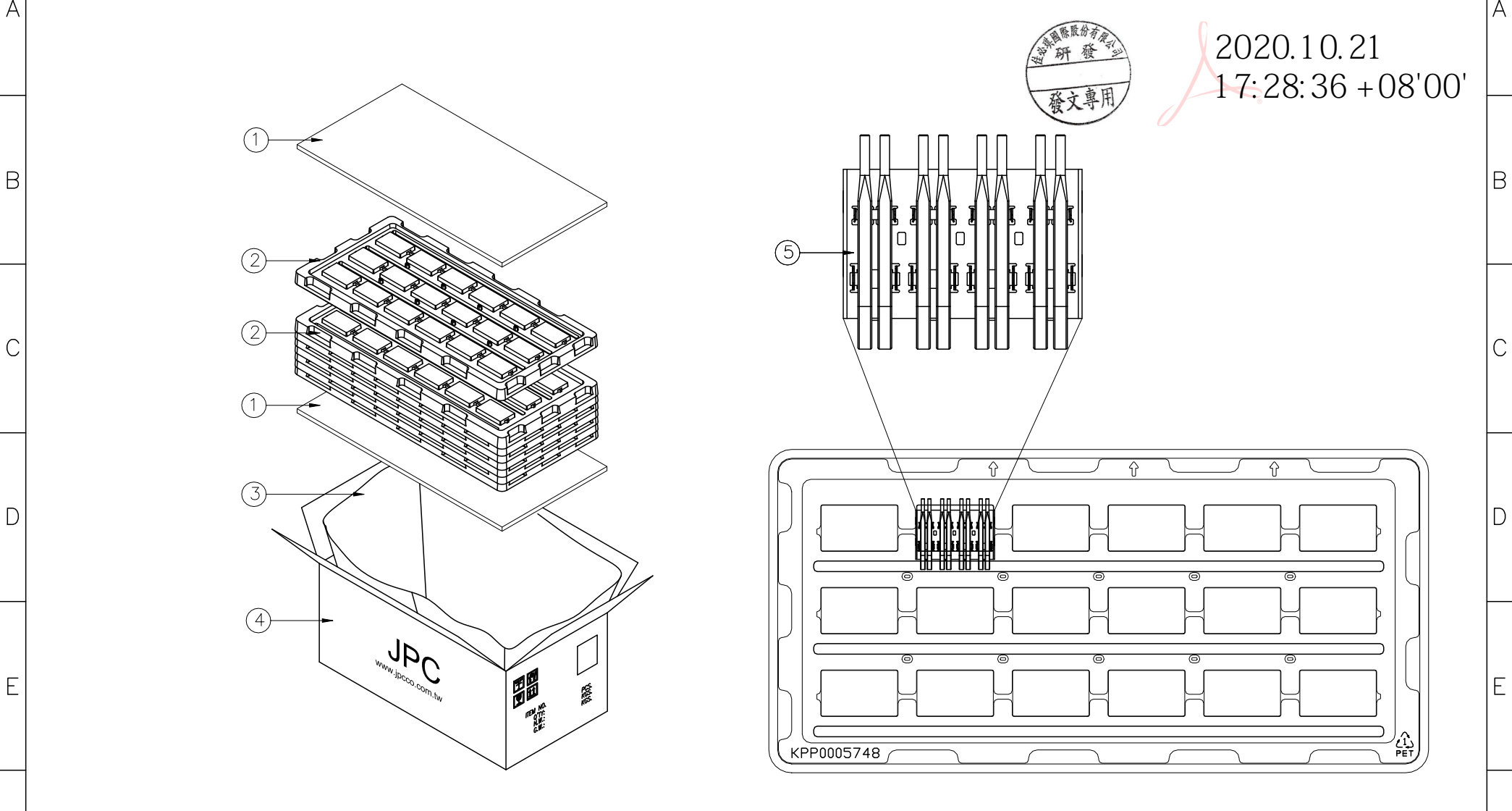
<b>RoHS COMPLIANT</b>	<b>HALOGEN FREE</b>	Unit : mm	PROJECTION	<b>JPC connectivity</b>		PD./FILE NO.
		GENERAL TOLERANCES: (UNLESS SPECIFIED)				
		0 = ±.50	D.R. 09/10/2012	TITLE	DUAL PORT LIGHTPIPE FOR SFF 8644 EXTERNAL HD 1X4 PORT SERIES	REV. 02
		0.0 = ±.25	Brown	SCALE		
0.00 = ±.15	CH.K 09/10/2012	1:2	A4	P9214YLD000T-0	SHEET 2 OF 3	
0.000 = ±.05	James					
0° = ±.2°	APV.D 09/10/2012					
0.0° = ±.1°	Matsu					

1 2 3 4 5 6 7 8

THIS DRAWING AND THE DATA DISCLOSED HEREIN OR HEREWITH IS NOT TO BE REPRODUCED USED OR DISCLOSED IN WHOLE OR IN PART TO ANYONE WITHOUT THE PERMISSION OF JESS-LINK PRODUCTS CO.,LTD.(JPC)

CUSTOMER DRAWING

REV.	ECN NO.	DESCRIPTION	MDF'D	APP'D	DATE
01		INITIAL DESIGN	Brown	Matsu	09/10/2012
02		MODIFY DRAWING FRAME & PACKAGING	Jason	Richard	09/18/2020
03					



ITEM	DESCRIPTION	Q'TY	RoHS COMPLIANT	HALOGEN FREE	Unit : mm	PROJECTION	TITLE		PD./FILE NO.
7							JPC connectivity		
6					GENERAL TOLERANCES: (UNLESS SPECIFIED)	D.R.	DUAL PORT LIGHTPIPE FOR		
5	CONNECTOR	234			0.0 = ±.50	09/10/2012	SFF 8644 EXTERNAL HD 1X4 PORT SERIES		
4	MASTER CARTON, 405X220X185 mm	1			0.0 = ±.25	Brown	SCALE	SIZE	REV. 02
3	WATERROOF BAG, 400X(107.5+107.5)X415 mm	1			0.00 = ±.15	James	1:2	A4	
2	TRAY, PET, 365.6X174X15.6 mm (18Pcs. / Tray)	14			0.000 = ±.05	APV.D	DWG NO.		
1	PAPER PAD, 385X200X3mm	2			0° = ±.2°	Matsu	P9214YLD000T-0		SHEET 3 OF 3
					0.0° = ±.1°				

1 2 3 4 5 6 7 8