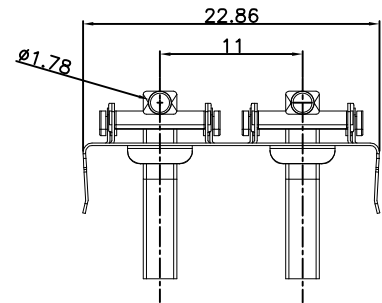
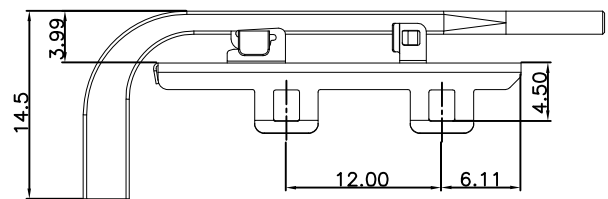
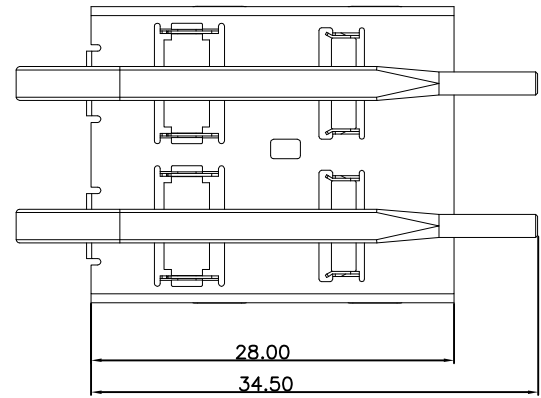


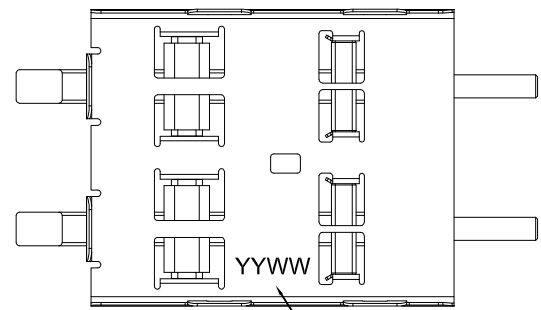
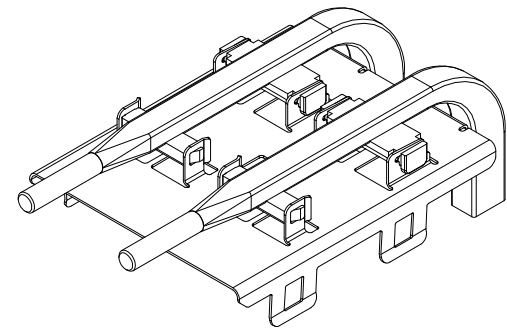
THIS DRAWING AND THE DATA DISCLOSED HEREIN OR HEREWITH IS NOT TO BE REPRODUCED USED OR DISCLOSED IN WHOLE OR IN PART TO ANYONE WITHOUT THE PERMISSION OF JESS-LINK PRODUCTS CO.,LTD.

CUSTOMER DRAWING

REV.	DESCRIPTION	MDF'D	APP'D	DATE
01	INITIAL DESIGN	Brown	Matsu	09/10/2012
02				
03				



- NOTE:
 1.MATERIAL: FINISH
 LIGHTPIPE CLIP : STAINLESS STELL ALLOY
 LIGHTPIPE : CLEAR POLYCARBONATE
 2.DATE CODE: YYWW
 YY=YEAR OF MANUFACTURE
 WW=WEEK OF MANUFACTURE
 3.PACKAGE: TRAY
 4.MATES WITH JPC P9212A SERIES

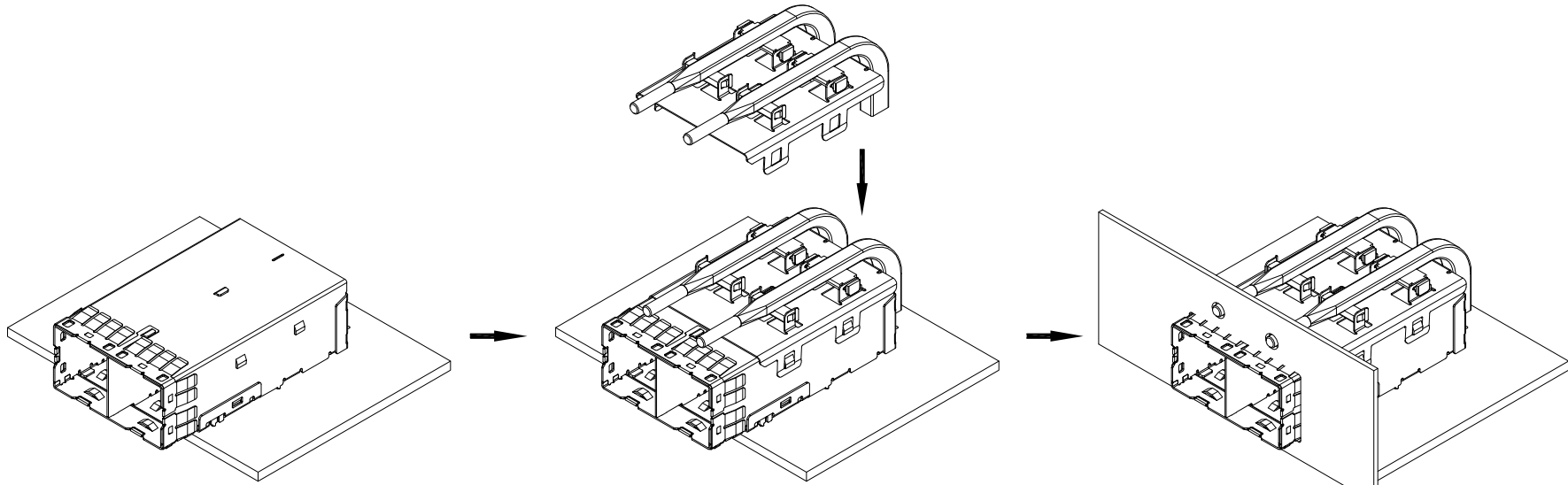


ROHS COMPLIANT HALOGEN FREE	Unit : mm	PROJECTION	JESS-LINK PRODUCTS CO.,LTD.			
	GENERAL TOLERANCES: (UNLESS SPECIFIED) 0 = ±.45 0.0 = ±.30 0.00 = ±.20 0.000 = ±.10 0° = ± 2° 0.0° = ± 1°				TITLE SINGLE PORT LIGHTPIPE FOR SFF 8644 EXTERNAL HD 1X2 PORT SERIES	PRODUCT NO. OR LAYOUT
	D.R. 09/10/2012 Brown	CH.K 09/10/2012 James	SCALE	SIZE	PART NO.	REV. 01
	APV.D 09/10/2012 Matsu	N/A	A4	P9212YLS000T-0	SH,T NO.1 OF 1	

THIS DRAWING AND THE DATA DISCLOSED HEREIN OR HEREWITH IS NOT TO BE REPRODUCED USED OR DISCLOSED IN WHOLE OR IN PART TO ANYONE WITHOUT THE PERMISSION OF JESS-LINK PRODUCTS CO.,LTD.

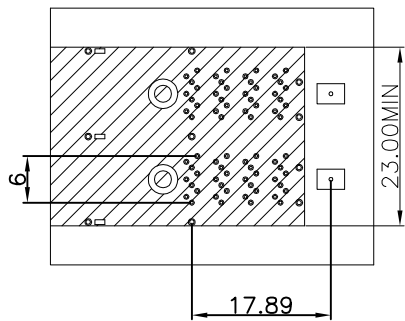
CUSTOMER DRAWING

REV.	DESCRIPTION	MDF'D	APP'D	DATE
01	INITIAL DESIGN	Brown	Matsu	09/10/2012
02				
03				

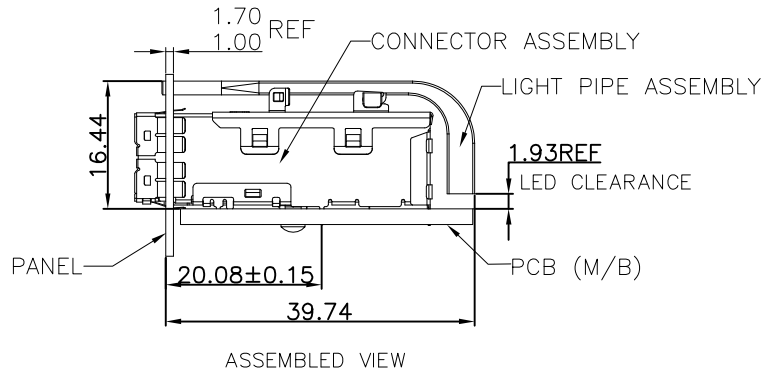


CONNECTOR AS APPLIED TO PCB

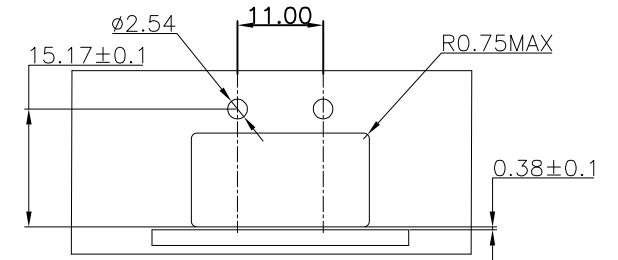
LIGHT PIPES AS APPLIED TO CONNECTOR



RECOMMENDED FOOTPRINT (FOR SINGLE PORT LIGHT PIPE)



ASSEMBLED VIEW



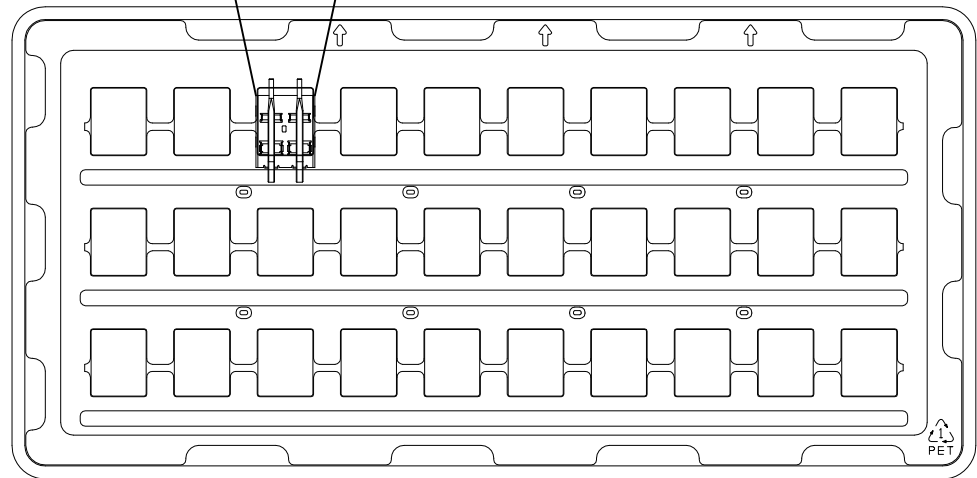
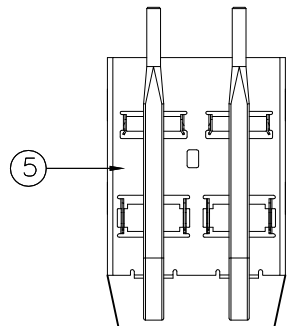
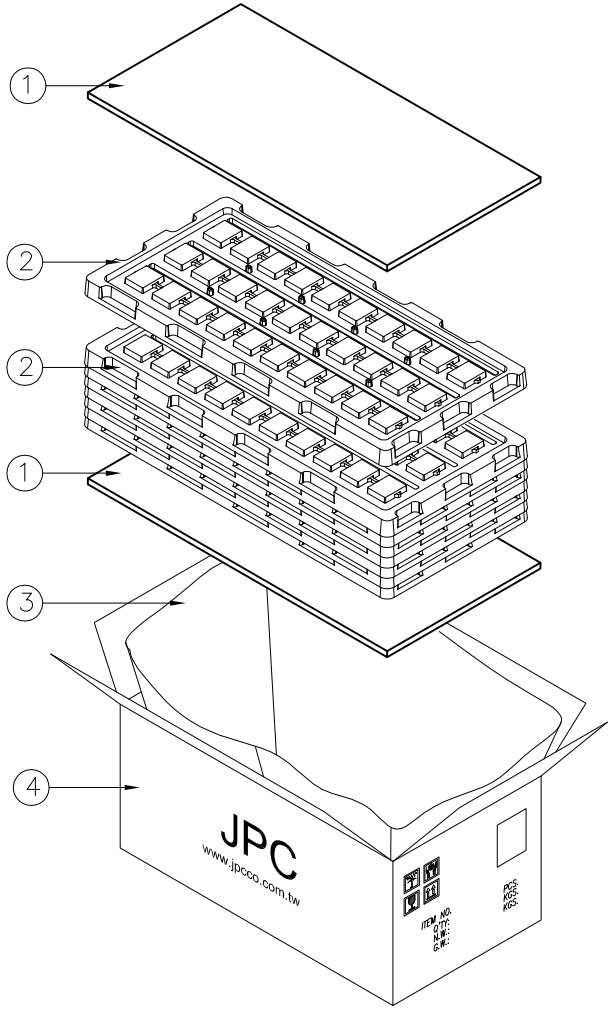
I/O BRACKET CUT OUT FOR LIGHT PIPE (BRACKET NOT SUPPLIED)

ROHS COMPLIANT	HALOGEN FREE	Unit : mm	PROJECTION		JESS-LINK PRODUCTS CO.,LTD.		PRODUCT NO. OR LAYOUT
		GENERAL TOLERANCES: (UNLESS SPECIFIED)					
		0 = ±.45	D.R.	09/10/2012	TITLE	SINGLE PORT LIGHTPIPE FOR SFF 8644 EXTERNAL HD 1X2 PORT SERIES	REV. 01
		0.0 = ±.30	Brown				
0.00 = ±.20	CH.K	09/10/2012	SCALE	SIZE	PART NO.	SH,T NO.2 OF 3	
0.000 = ±.10	James		1:2	A4	P9212YLS000T-0		
0° = ± 2'	APV.D	09/10/2012	Matsu				
0.0° = ± 1'							

THIS DRAWING AND THE DATA DISCLOSED HEREIN OR HEREWITH IS NOT TO BE REPRODUCED USED OR DISCLOSED IN WHOLE OR IN PART TO ANYONE WITHOUT THE PERMISSION OF JESS-LINK PRODUCTS CO.,LTD.

CUSTOMER DRAWING

REV.	DESCRIPTION	MDF'D	APP'D	DATE
01	INITIAL DESIGN	Brown	Matsu	09/10/2012
02				
03				



ITEM	DESCRIPTION	Q'TY
7		
6		
5	CONNECTOR	450
4	MASTER CARTON, 405X220X185 mm	1
3	WATERROOF BAG, 400X(107.5+107.5)X415 mm	1
2	TRAY, PET, 365.6X174X15.6 mm (30Pcs. / Tray)	16
1	PAPER PAD, 385X200X3mm	2

ROHS COMPLIANT
HALOGEN FREE

Unit : mm
GENERAL TOLERANCES:
(UNLESS SPECIFIED)
0 = ±.45
0.0 = ±.30
0.00 = ±.20
0.000 = ±.10
0° = ± 2°
0.0° = ± 1°

PROJECTION
D.R. 09/10/2012
Brown
CH.K 09/10/2012
James
APV.D 09/10/2012
Matsu

JESS-LINK PRODUCTS CO.,LTD.
TITLE SINGLE PORT LIGHTPIPE FOR
SFF 8644 EXTERNAL HD 1X2 PORT SERIES
SCALE 1:2
SIZE A4
PART NO. P9212YLS000T-0
REV. 01
PRODUCT NO. OR LAYOUT
SH,T NO.3 OF 3