

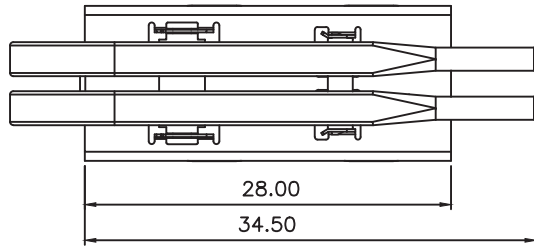
THIS DRAWING AND THE DATA DISCLOSED HEREIN OR HEREWITH IS NOT TO BE REPRODUCED USED OR DISCLOSED IN WHOLE OR IN PART TO ANYONE WITHOUT THE PERMISSION OF JESS-LINK PRODUCTS CO.,LTD.

CUSTOMER DRAWING

REV.	ECN NO.	DESCRIPTION	MDF'D	APP'D	DATE
01		INITIAL DESIGN	Brown	Matsu	04/19/2012
02	ECN-074715	PACKING QUANTITY CORRECTION	Jason	Ray	04/17/2019
03					

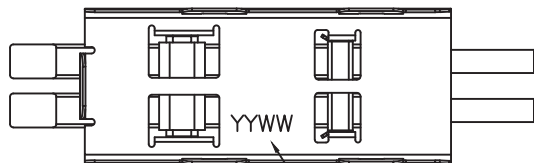
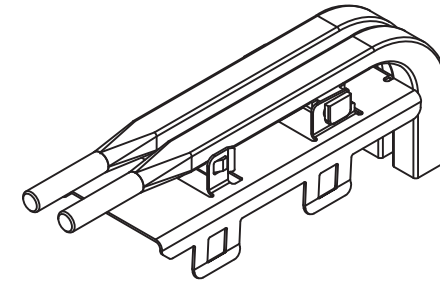
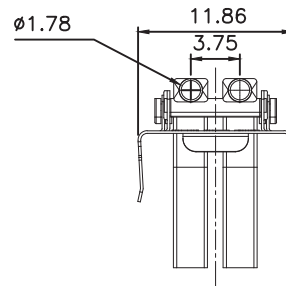
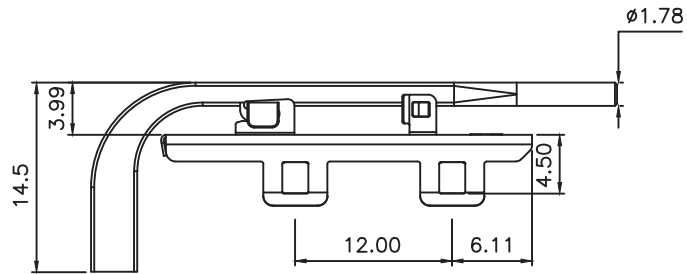


2019.04.22  
14:11:09 +08'00'



NOTE:

- MATERIAL: FINISH  
LIGHTPIPE CLIP : STAINLESS STEEL ALLOY  
LIGHTPIPE : CLEAR POLYCARBONATE
- DATE CODE: YYWW  
YY=YEAR OF MANUFACTURE  
WW=WEEK OF MANUFACTURE
- PACKAGE: TRAY
- MATES WITH JPC P9211A & P9211B SERIES



DATE CODE

<b>RoHS COMPLIANT</b>	<b>HALOGEN FREE</b>	Unit : mm	PROJECTION 		<b>JPC connectivity</b>	
		GENERAL TOLERANCES: (UNLESS SPECIFIED)	D.R. 04/19/2012	TITLE DUAL PORT LIGHTPIPE FOR		
		0 = ±.30	Brown	SFF 8644 EXTERNAL HD SINGLE PORT SERIES		C10H0221A
		0.0 = ±.20	CH.K 04/19/2012	SCALE	SIZE	DWG NO.
0.00 = ±.15	James	N/A	A4	P9211YLD000T-0	SHEET 1 OF 3	
0.000 = ±.05	APV.D 04/19/2012					
0° = ± 2'	Matsu					
0.0° = ± 1'						

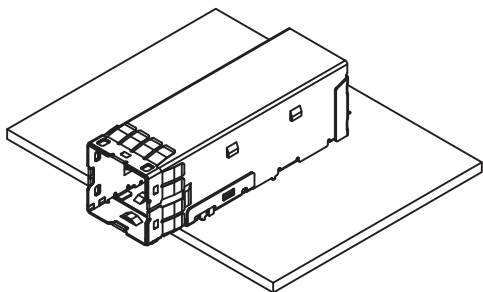
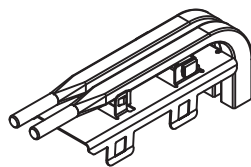
THIS DRAWING AND THE DATA DISCLOSED HEREIN OR HEREWITH IS NOT TO BE REPRODUCED USED OR DISCLOSED IN WHOLE OR IN PART TO ANYONE WITHOUT THE PERMISSION OF JESS-LINK PRODUCTS CO.,LTD.

CUSTOMER DRAWING

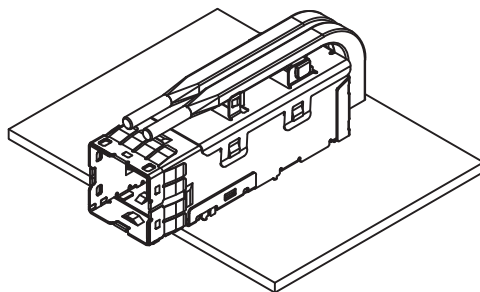
REV.	ECN NO.	DESCRIPTION	MDF'D	APP'D	DATE
01		INITIAL DESIGN	Brown	Matsu	04/19/2012
02	ECN-074715	PACKING QUANTITY CORRECTION	Jason	Ray	04/17/2019
03					



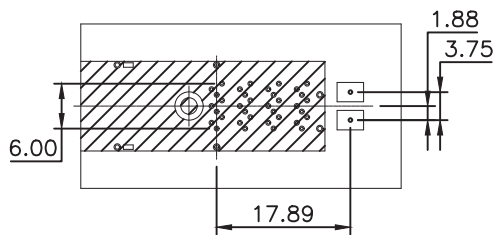
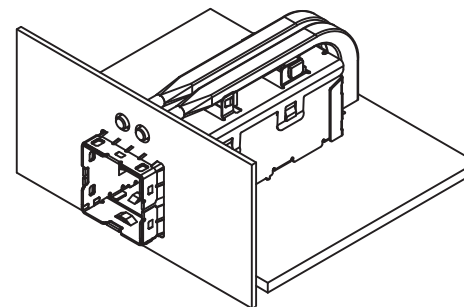
2019.04.22  
14:11:22  
+08'00'



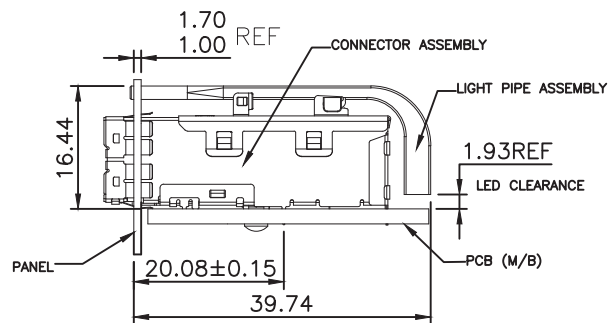
CONNECTOR AS APPLIED TO PCB



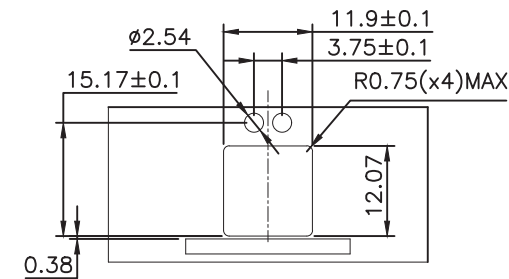
LIGHT PIPES AS APPLIED TO CONNECTOR



RECOMMENDED FOOTPRINT  
(FOR DUAL PORT LIGHT PIPE)



ASSEMBLED VIEW



I/O BRACKET CUT OUT FOR LIGHT PIPE  
(BRACKET NOT SUPPLIED)

<b>RoHS COMPLIANT</b>	<b>HALOGEN FREE</b>	Unit : mm	<b>PROJECTION</b> 		<b>JPC connectivity</b>	
		GENERAL TOLERANCES: (UNLESS SPECIFIED)	D.R. 04/19/2012	TITLE DUAL PORT LIGHTPIPE FOR		PRODUCT NO. / LAYOUT
		0 = ±.30	Brown	SFF 8644 EXTERNAL HD SINGLE PORT SERIES		C10H0221A
		0.0 = ±.20	CH.K 04/19/2012	SCALE	SIZE	DWG NO.
0.00 = ±.15	James	N/A	A4	P9211YLD000T-0	SHEET 2 OF 3	
0.000 = ±.05	APV.D 04/19/2012					
0° = ± 2'	Matsu					
0.0° = ± 1'						

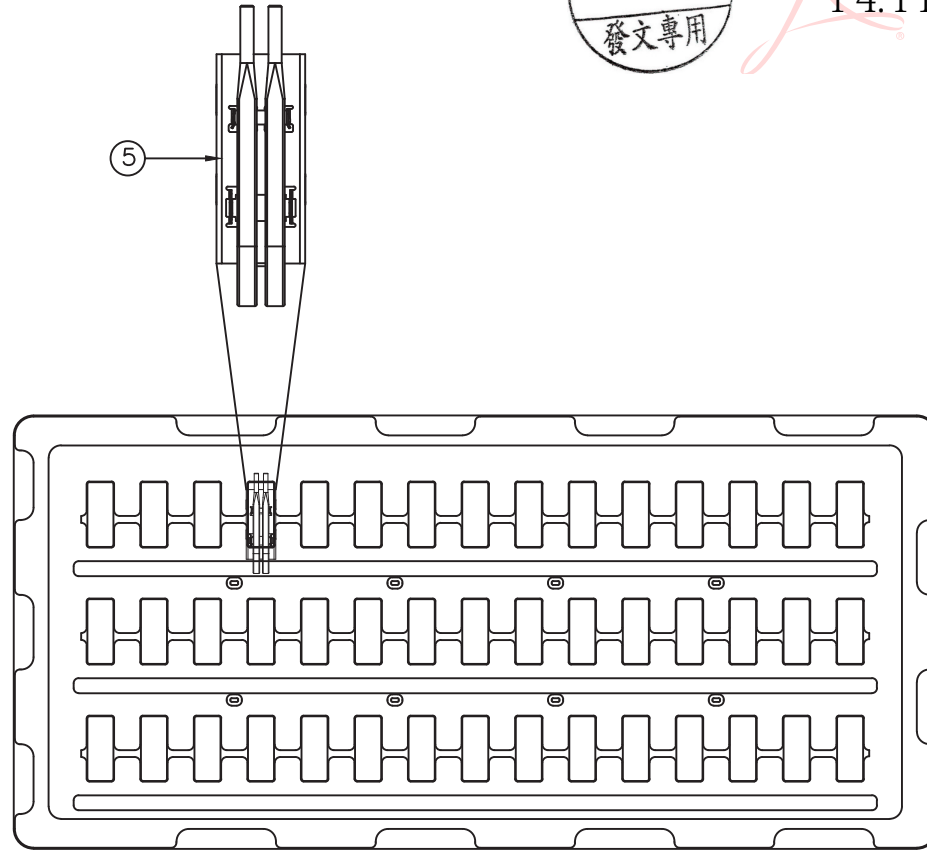
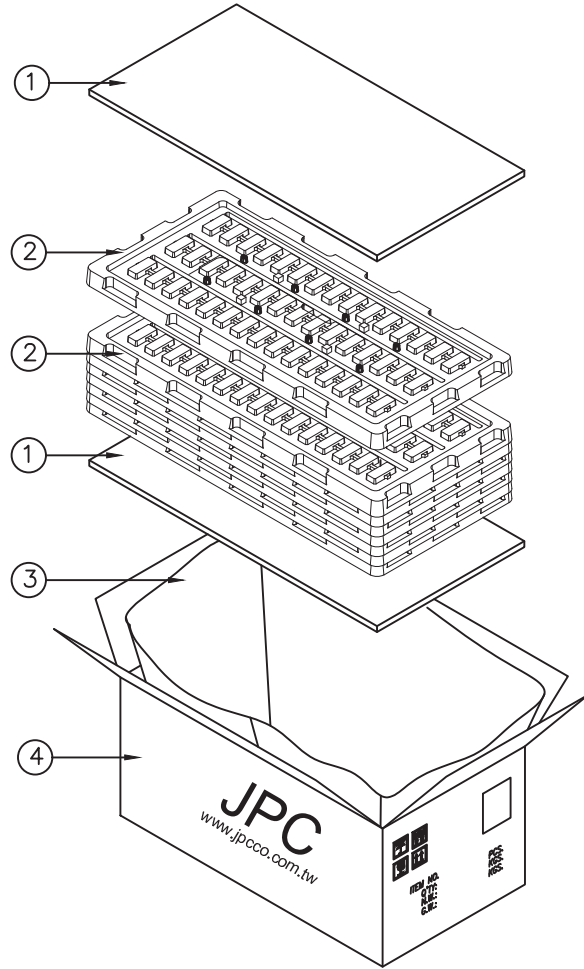
THIS DRAWING AND THE DATA DISCLOSED HEREIN OR HEREWITH IS NOT TO BE REPRODUCED USED OR DISCLOSED IN WHOLE OR IN PART TO ANYONE WITHOUT THE PERMISSION OF JESS-LINK PRODUCTS CO.,LTD.

CUSTOMER DRAWING

REV.	ECN NO.	DESCRIPTION	MDF'D	APP'D	DATE
01		INITIAL DESIGN	Brown	Matsu	04/19/2012
02	ECN-074715	PACKING QUANTITY CORRECTION	Jason	Ray	04/17/2019
03					



2019.04.22  
14:11:37 +08'00'



ITEM	DESCRIPTION	Q'TY
7		
6		
5	CONNECTOR	△ 585
4	MASTER CARTON, 405X220X185 mm	1
3	WATERROOF BAG, 400X(107.5+107.5)X415 mm PAPER PAD, 385X200X3mm	1
2	BOTTOM TRAY, PET, 370X196X17.8 mm (45Pcs. / Tray)	△ 14
1	PAPER PAD, 385X200X3mm	2

<b>RoHS COMPLIANT</b>	<b>HALOGEN FREE</b>	Unit : mm			<b>JPC connectivity</b>			
		GENERAL TOLERANCES: (UNLESS SPECIFIED)						
		0 = ±.30	D.R. 04/19/2012	TITLE	SCALE	SIZE	DWG NO.	PRODUCT NO. / LAYOUT
		0.0 = ±.20	Brown					
0.00 = ±.15	CH.K 04/19/2012	James	N/A	A4	P9211YLD000T-0	REV. 02		
0.000 = ±.05	APV.D 04/19/2012	Matsu				SHEET 3 OF 3		
0° = ± 2'								
0.0° = ± 1'								