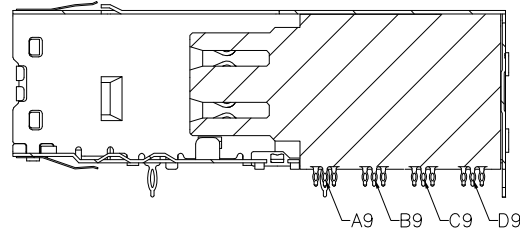
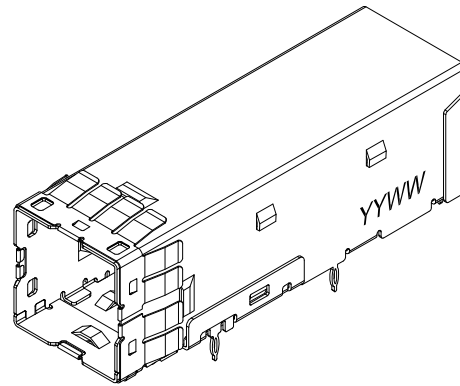
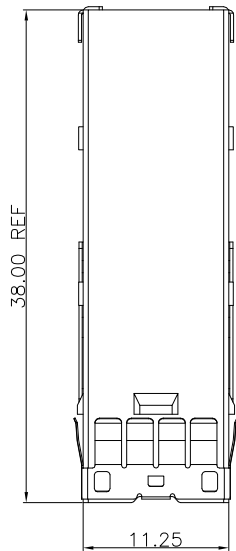


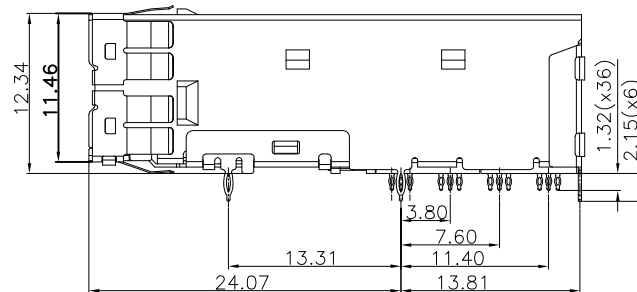
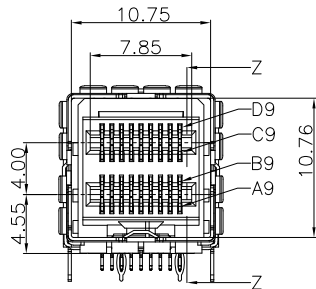
THIS DRAWING AND THE DATA DISCLOSED HEREIN OR HEREWITH IS NOT TO BE REPRODUCED USED OR DISCLOSED IN WHOLE OR IN PART TO ANYONE WITHOUT THE PERMISSION OF JESS-LINK PRODUCTS CO.,LTD.

CUSTOMER DRAWING

REV.	DESCRIPTION	MDF'D	APP'D	DATE
01	INITIAL DESIGN	Brown	Matsu	08/28/2012
02	ADD RECOMMENDED PRINTED CIRCUIT BOARD & JPC LOGO	Brown	Matsu	03/24/2014
03				



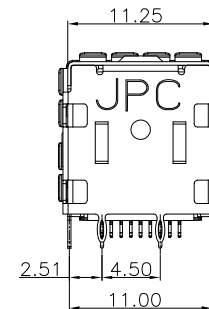
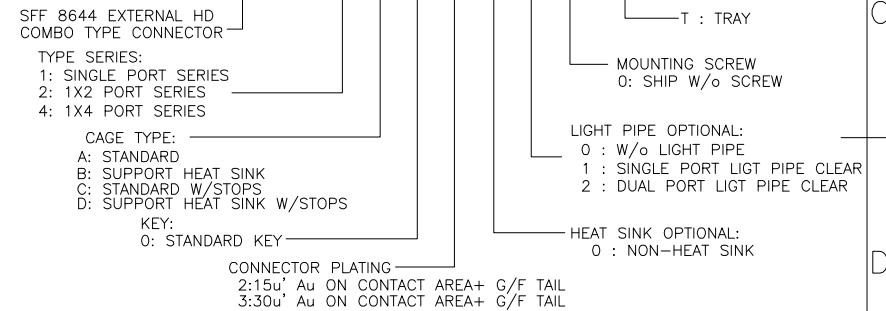
SECTION Z-Z



NOTE:

- MATERIAL: FINISH
HOUSING: HI-TEMP THERMOPLASTIC UL 94V-0 BLACK
TERMINAL : COPPER ALLOY/ PLATING SEE P/N MARTAX
EMI CAGE : COPPER SILVER ALLOY/PREPLATING Ni
EMI SPRING : COPPER ALLOY/PREPLATING Ni
- DATE CODE: YYWW
YY=YEAR OF MANUFACTURE
WW=WEEK OF MANUFACTURE
- PACKAGE: TRAY
- MOUNTING HARDWARE: M2X0.4 BUTTON HEAD SCREW
MOUNTING SCREW LENGTH: BOARD THICKNESS +(0.9~1.4mm Max).
THE CONNECTOR HOLD DOWN SCREW SHOULD BE TORQUED TO 2kgf/cm MAX.DO NOT OVER TORQUE.
- OPTIONAL PARTS: JPC P/N
SINGLE PORT LIGHT PIPE: P9211YLS SERIES
DUAL PORT LIGHT PIPE: P9211YLD SERIES
- P/N: MARTAX:

JPC P/N: P 9 2 1 1 C 0 3 0 0 0 T - 0



ROHS COMPLIANT	HALOGEN FREE	Unit : mm	PROJECTION		JESS-LINK PRODUCTS CO.,LTD.		D.R. 08/28/2012	TITLE SFF 8644 EXTERNAL HD COMBO TYPE CONNECTOR(SINGLE PORT W/STOPS SERIES)	PRODUCT NO. OR LAYOUT	
		GENERAL TOLERANCES: (UNLESS SPECIFIED)								
		0 = ±.45	D.R. Brown	08/28/2012	CH.K James	08/28/2012	SCALE 1:2	SIZE A3	PART NO. P9211C03000T-0	REV. 02
		0.0 = ±.30	James	08/28/2012	APV.D Matsu	08/28/2012	SH,T NO.1 OF 10			

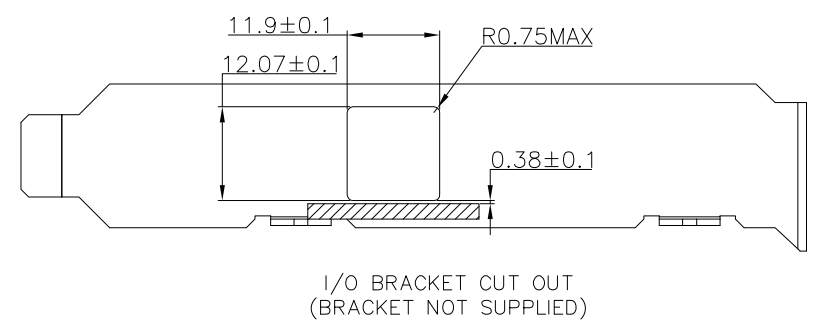
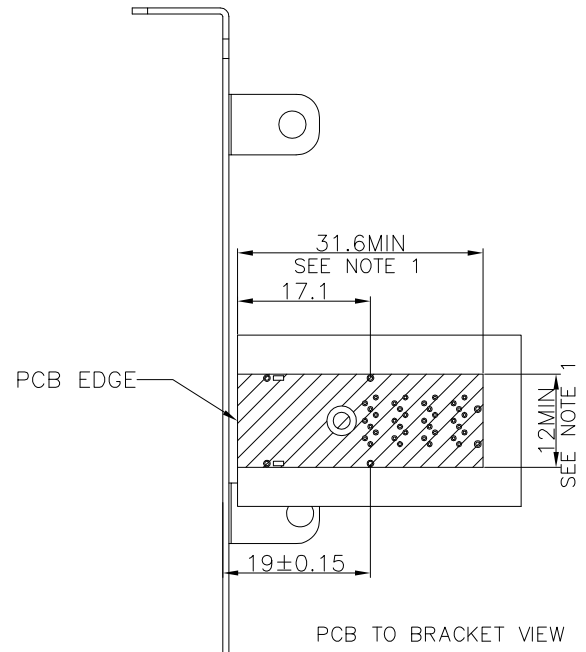
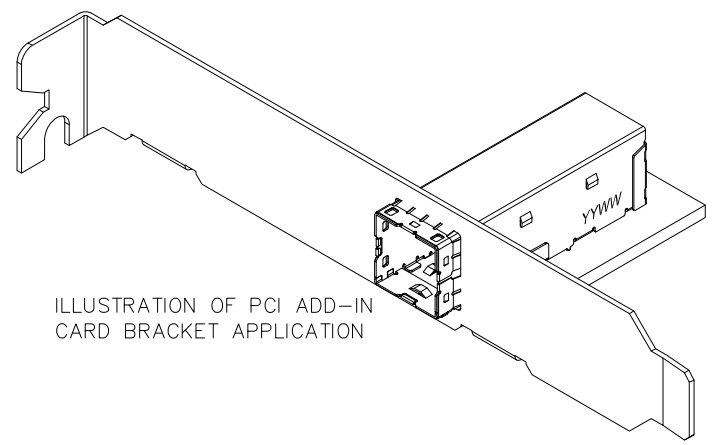
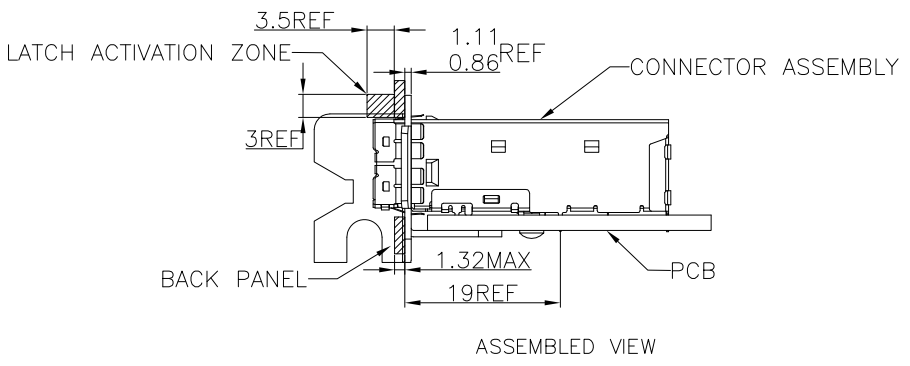
THIS DRAWING AND THE DATA DISCLOSED HEREIN OR HEREWITH IS NOT TO BE REPRODUCED USED OR DISCLOSED IN WHOLE OR IN PART TO ANYONE WITHOUT THE PERMISSION OF JESS-LINK PRODUCTS CO.,LTD.

CUSTOMER DRAWING

REV.	DESCRIPTION	MDF'D	APP'D	DATE
01	INITIAL DESIGN	Brown	Matsu	08/28/2012
02	ADD RECOMMENDED PRINTED CIRCUIT BOARD & JPC LOGO	Brown	Matsu	03/24/2014
03				



PCI ADD-IN CARD APPLICATION



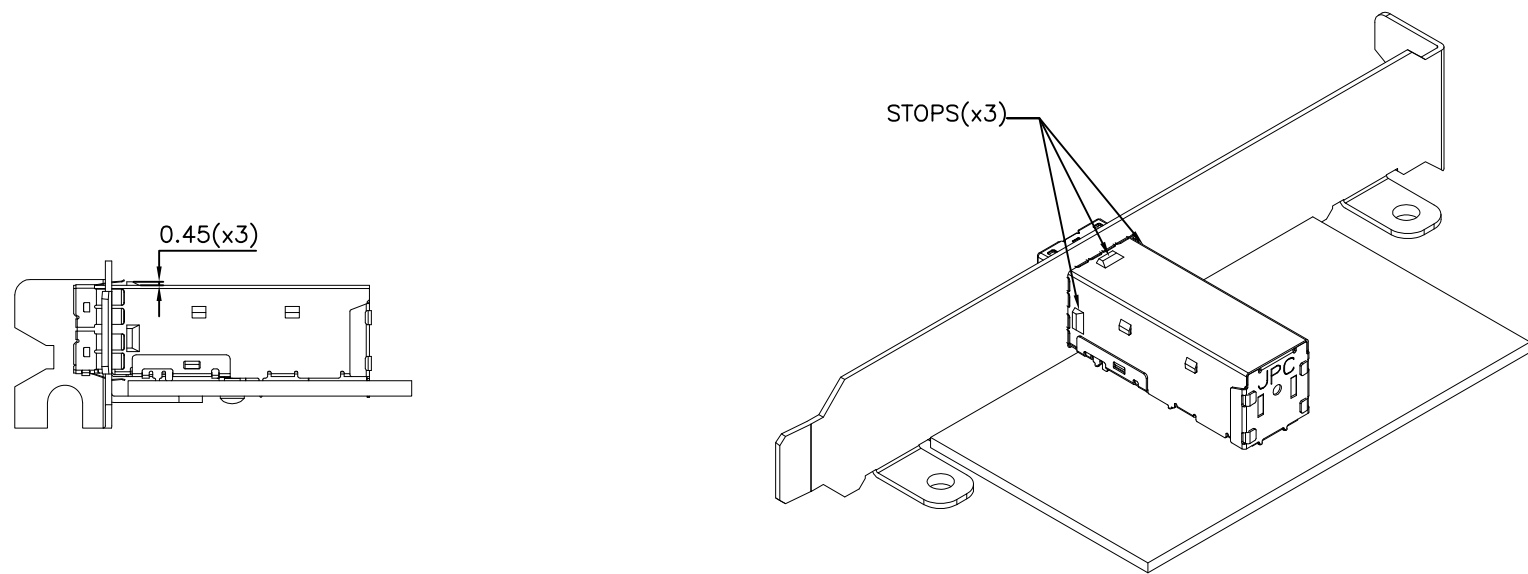
NOTE:
1. CONNECTOR KEEP OUT AREA

ROHS COMPLIANT	HALOGEN FREE	Unit : mm	PROJECTION	JESS-LINK PRODUCTS CO.,LTD.	
		GENERAL TOLERANCES: (UNLESS SPECIFIED)			
		0 = ±.45	D.R. 08/28/2012	SFF 8644 EXTERNAL HD COMBO TYPE	
		0.0 = ±.30	CH.K 08/28/2012	CONNECTOR(SINGLE PORT W/STOPS SERIES)	
0.00 = ±.20	James	SCALE	SIZE	PART NO.	REV. 02
0.000 = ±.10	APV.D 08/28/2012	1:2	A3	P9211C03000T-0	SH,T NO.2 OF 10
0° = ± 2'	Matsu				
0.0° = ± 1'					

THIS DRAWING AND THE DATA DISCLOSED HEREIN OR HEREWITH IS NOT TO BE REPRODUCED USED OR DISCLOSED IN WHOLE OR IN PART TO ANYONE WITHOUT THE PERMISSION OF JESS-LINK PRODUCTS CO.,LTD.

CUSTOMER DRAWING

REV.	DESCRIPTION	MDF'D	APP'D	DATE
01	INITIAL DESIGN	Brown	Matsu	08/28/2012
02	ADD RECOMMENDED PRINTED CIRCUIT BOARD & JPC LOGO	Brown	Matsu	03/24/2014
03				



ROHS COMPLIANT	HALOGEN FREE	Unit : mm	PROJECTION		JESS-LINK PRODUCTS CO.,LTD.		PRODUCT NO. OR LAYOUT
		GENERAL TOLERANCES: (UNLESS SPECIFIED)					
		0 = ±.45	D.R. 08/28/2012	Brown	SFF 8644 EXTERNAL HD COMBO TYPE	REV. 02	
		0.0 = ±.30	CH.K 08/28/2012	James	CONNECTOR(SINGLE PORT W/STOPS SERIES)	SH,T NO.3 OF 10	
0.00 = ±.20	APV.D 08/28/2012	Matsu	SCALE	SIZE	PART NO.		
0.000 = ±.10			1:2	A3	P9211C03000T-0		
0° = ± 2'							
0.0° = ± 1'							

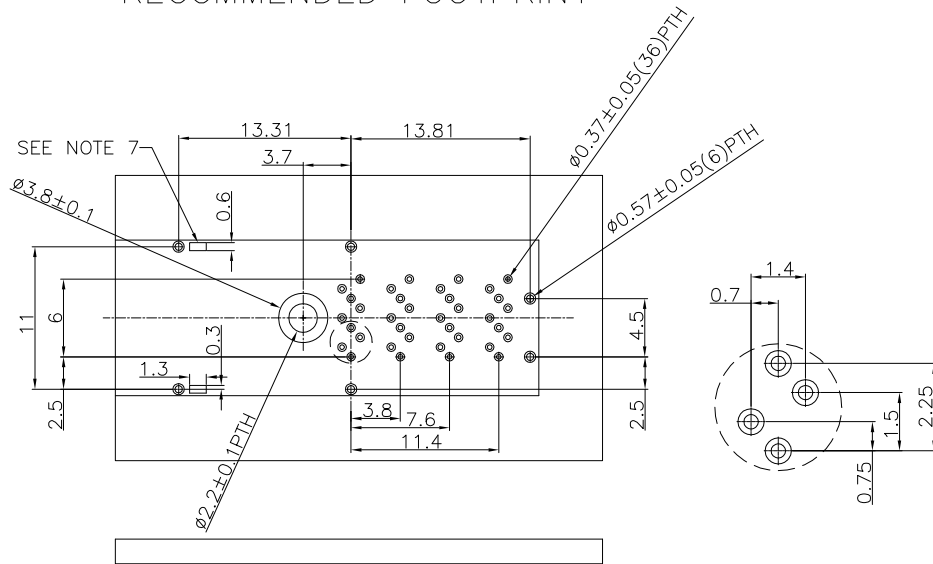
THIS DRAWING AND THE DATA DISCLOSED HEREIN OR HEREWITH IS NOT TO BE REPRODUCED USED OR DISCLOSED IN WHOLE OR IN PART TO ANYONE WITHOUT THE PERMISSION OF JESS-LINK PRODUCTS CO.,LTD.

CUSTOMER DRAWING

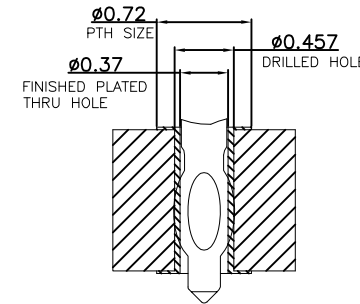
REV.	DESCRIPTION	MDF'D	APP'D	DATE
01	INITIAL DESIGN	Brown	Matsu	08/28/2012
02	ADD RECOMMENDED PRINTED CIRCUIT BOARD & JPC LOGO	Brown	Matsu	03/24/2014
03				



RECOMMENDED FOOTPRINT

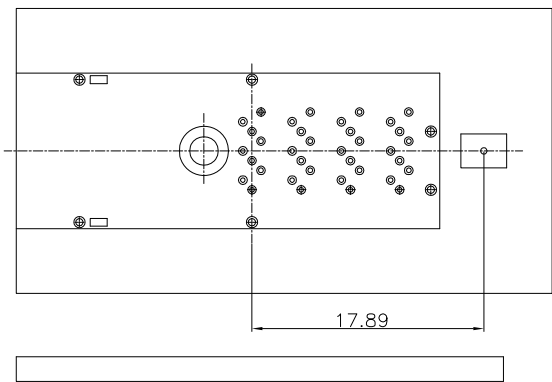


- NOTE:
- 1.RECOMMENDED DRILL SIZE AND ANNULAR RING FOR A $\phi 0.37$ FINISHED PTH REFER TO PRINTED CIRCUIT BOARD RECOMMENDED
 - 2.MINIMUM RECOMMENDED SPACING: 14.00mm
 - 3.MINIMUM PCB THICKNESS S: 1.57mm
 - 4.RECOMMENDED DEILL SIZE FOR A $\phi 0.57$ FINISHED PTH IS $\phi 0.66$
 - 5.RECOMMENDED ANNULAR RING AROUND A $\phi 0.57$ FINISHED PTH IS $\phi 0.91$
 - 6.CAGE STAND OFF AREA. NO TRACES ON SURFACE OF PCB IN THESE AREAS

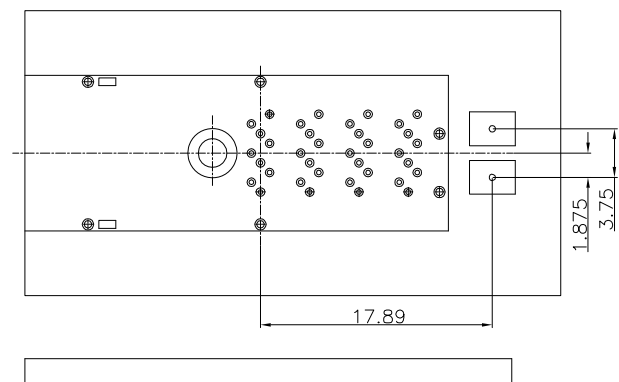


PRINTED CIRCUIT BOARD RECOMMENDED

RECOMMENDED FOOTPRINT (FOR SINGLE PORT LIGHT PIPE)



RECOMMENDED FOOTPRINT (FOR DUAL PORT LIGHT PIPE)



ROHS COMPLIANT	HALOGEN FREE	Unit : mm	PROJECTION		JESS-LINK PRODUCTS CO.,LTD.		PRODUCT NO. OR LAYOUT
		GENERAL TOLERANCES: (UNLESS SPECIFIED)		TITLE			
		0 = ±.45	ϕ	D.R. 08/28/2012	SFF 8644 EXTERNAL HD COMBO TYPE		
		0.0 = ±.30	CH.K 08/28/2012	Brown	CONNECTOR(SINGLE PORT W/STOPS SERIES)		
0.00 = ±.20	James	APV.D 08/28/2012	SCALE	SIZE	PART NO.	REV. 02	
0.000 = ±.10	Matsu	1:2	A3	P9211C03000T-0	SH,T NO.5 OF 10		
0° = ± 2'							
0.0° = ± 1'							

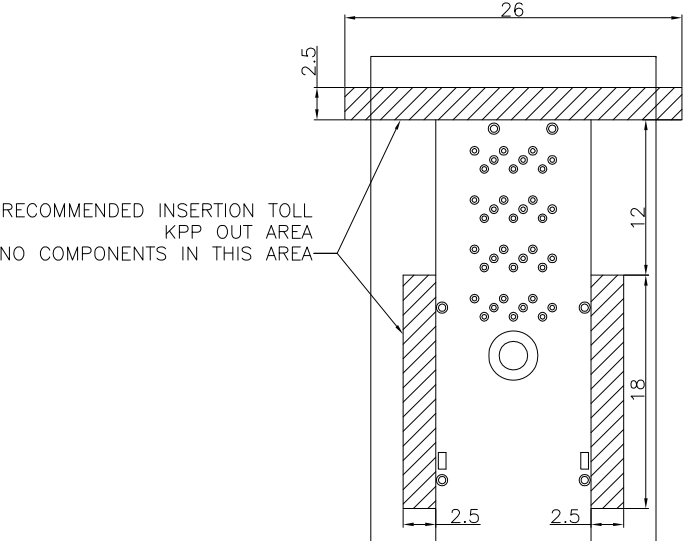
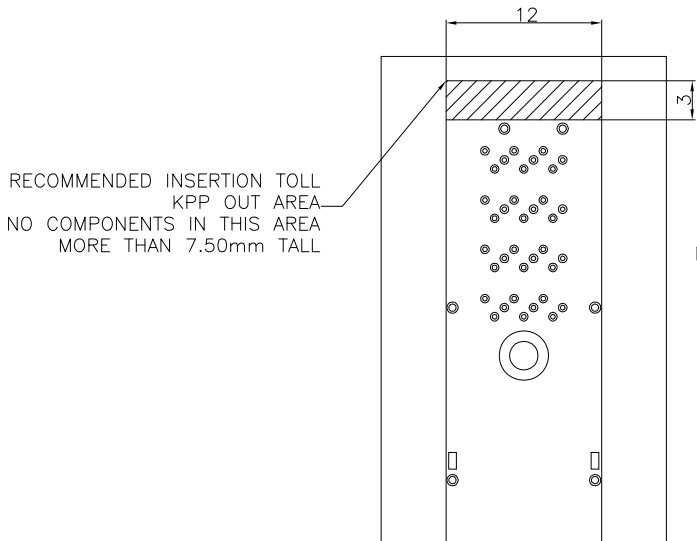
THIS DRAWING AND THE DATA DISCLOSED HEREIN OR HEREWITH IS NOT TO BE REPRODUCED USED OR DISCLOSED IN WHOLE OR IN PART TO ANYONE WITHOUT THE PERMISSION OF JESS-LINK PRODUCTS CO.,LTD.

CUSTOMER DRAWING

REV.	DESCRIPTION	MDF'D	APP'D	DATE
01	INITIAL DESIGN	Brown	Matsu	08/28/2012
02	ADD RECOMMENDED PRINTED CIRCUIT BOARD & JPC LOGO	Brown	Matsu	03/24/2014
03				



RECOMMENDED TOLLING KEEP OUT AREAS



ROHS COMPLIANT	HALOGEN FREE	Unit : mm	PROJECTION		JESS-LINK PRODUCTS CO.,LTD.		PRODUCT NO. OR LAYOUT
		GENERAL TOLERANCES: (UNLESS SPECIFIED)					
		0 = ±.45	D.R. 08/28/2012	TITLE	SFF 8644 EXTERNAL HD COMBO TYPE CONNECTOR(SINGLE PORT W/STOPS SERIES)	REV. 02	
		0.0 = ±.30	Brown	08/28/2012			
0.00 = ±.20	CH.K 08/28/2012	SCALE	SIZE	PART NO.	SH,T NO.6 OF 10		
0.000 = ±.10	James	1:2	A3	P9211C03000T-0			
0° = ± 2'	APV.D 08/28/2012	Matsu					
0.0° = ± 1'							

THIS DRAWING AND THE DATA DISCLOSED HEREIN OR HEREWITH IS NOT TO BE REPRODUCED USED OR DISCLOSED IN WHOLE OR IN PART TO ANYONE WITHOUT THE PERMISSION OF JESS-LINK PRODUCTS CO.,LTD.

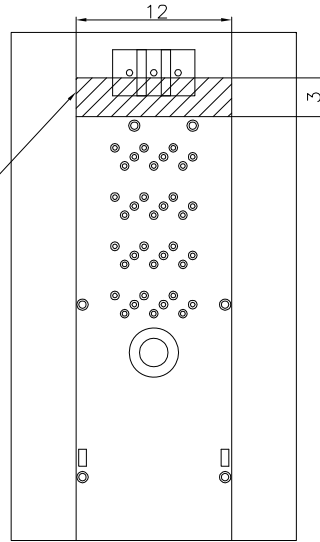
CUSTOMER DRAWING

REV.	DESCRIPTION	MDF'D	APP'D	DATE
01	INITIAL DESIGN	Brown	Matsu	08/28/2012
02	ADD RECOMMENDED PRINTED CIRCUIT BOARD & JPC LOGO	Brown	Matsu	03/24/2014
03				



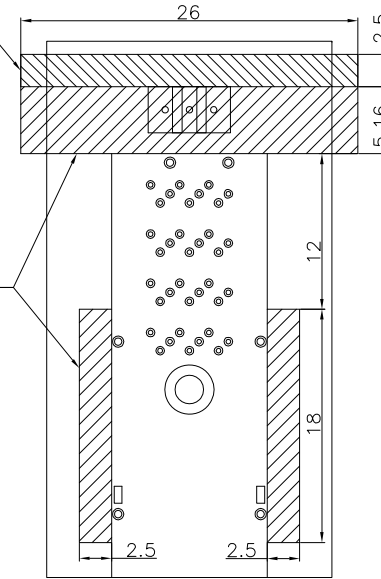
RECOMMENDED TOLLING KEEP OUT AREAS
(FOR LIGHT PIPE)

RECOMMENDED INSERTION TOLL
KPP OUT AREA
NO COMPONENTS IN THIS AREA
MORE THAN 7.50mm TALL



RECOMMENDED INSERTION TOLL
KPP OUT AREA
NO COMPONENTS IN THIS AREA

RECOMMENDED INSERTION TOLL
KPP OUT AREA
NO COMPONENTS IN THIS AREA
MORE THAN 5.00 mm TALL



ROHS COMPLIANT	HALOGEN FREE	Unit : mm	PROJECTION	JESS-LINK PRODUCTS CO.,LTD.		PRODUCT NO. OR LAYOUT
		GENERAL TOLERANCES: (UNLESS SPECIFIED)				
		0 = ±.45 0.0 = ±.30 0.00 = ±.20 0.000 = ±.10 0" = ±.2" 0.0" = ±.1"	D.R. 08/28/2012 Brown	TITLE SFF 8644 EXTERNAL HD COMBO TYPE	SCALE SIZE PART NO.	REV. 02
		CH.K 08/28/2012 James	CONNECTOR(SINGLE PORT W/STOPS SERIES)	1:2 A3 P9211C03000T-0		
APV.D 08/28/2012 Matsu						

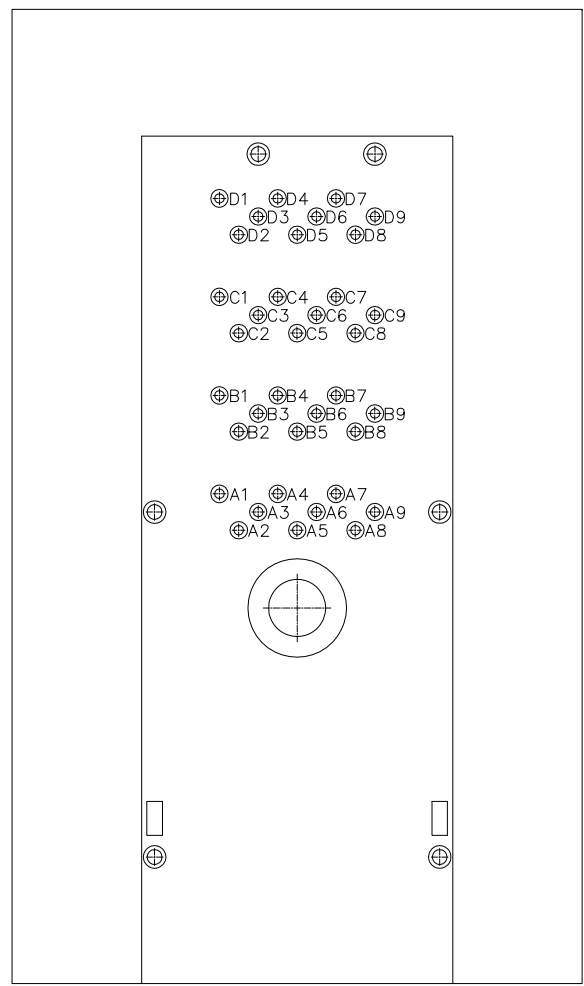
THIS DRAWING AND THE DATA DISCLOSED HEREIN OR HEREWITH IS NOT TO BE REPRODUCED USED OR DISCLOSED IN WHOLE OR IN PART TO ANYONE WITHOUT THE PERMISSION OF JESS-LINK PRODUCTS CO.,LTD.

CUSTOMER DRAWING

REV.	DESCRIPTION	MDF'D	APP'D	DATE
01	INITIAL DESIGN	Brown	Matsu	08/28/2012
02	ADD RECOMMENDED PRINTED CIRCUIT BOARD & JPC LOGO	Brown	Matsu	03/24/2014
03				



PIN OUT DESIGNATIONS

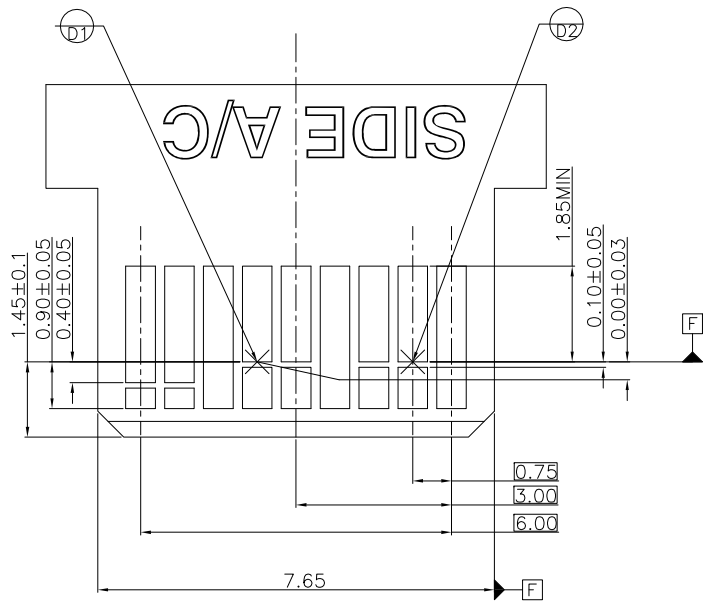
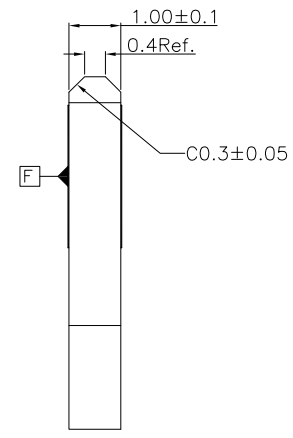
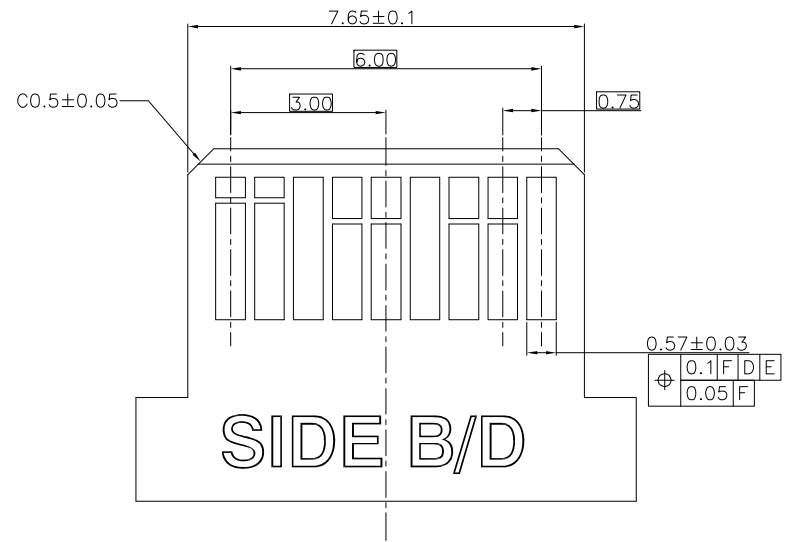


ROHS COMPLIANT	HALOGEN FREE	Unit : mm	PROJECTION	JESS-LINK PRODUCTS CO.,LTD.		PRODUCT NO. OR LAYOUT		
		GENERAL TOLERANCES: (UNLESS SPECIFIED)						
		0 = ±.45	D.R. 08/28/2012	TITLE SFF 8644 EXTERNAL HD COMBO TYPE	SCALE	SIZE	PART NO.	REV. 02
		0.0 = ±.30	CH.K 08/28/2012	CONNECTOR(SINGLE PORT W/STOPS SERIES)				
0.000 = ±.20	James	APV.D 08/28/2012	1:2	A3	P9211C03000T-0	SH,T NO.8 OF 10		
0° = ±.2°	Matsu							
0.0° = ± 1°								

THIS DRAWING AND THE DATA DISCLOSED HEREIN OR HEREWITH IS NOT TO BE REPRODUCED USED OR DISCLOSED IN WHOLE OR IN PART TO ANYONE WITHOUT THE PERMISSION OF JESS-LINK PRODUCTS CO.,LTD.

CUSTOMER DRAWING

REV.	DESCRIPTION	MDF'D	APP'D	DATE
01	INITIAL DESIGN	Brown	Matsu	08/28/2012
02	ADD RECOMMENDED PRINTED CIRCUIT BOARD & JPC LOGO	Brown	Matsu	03/24/2014
03				



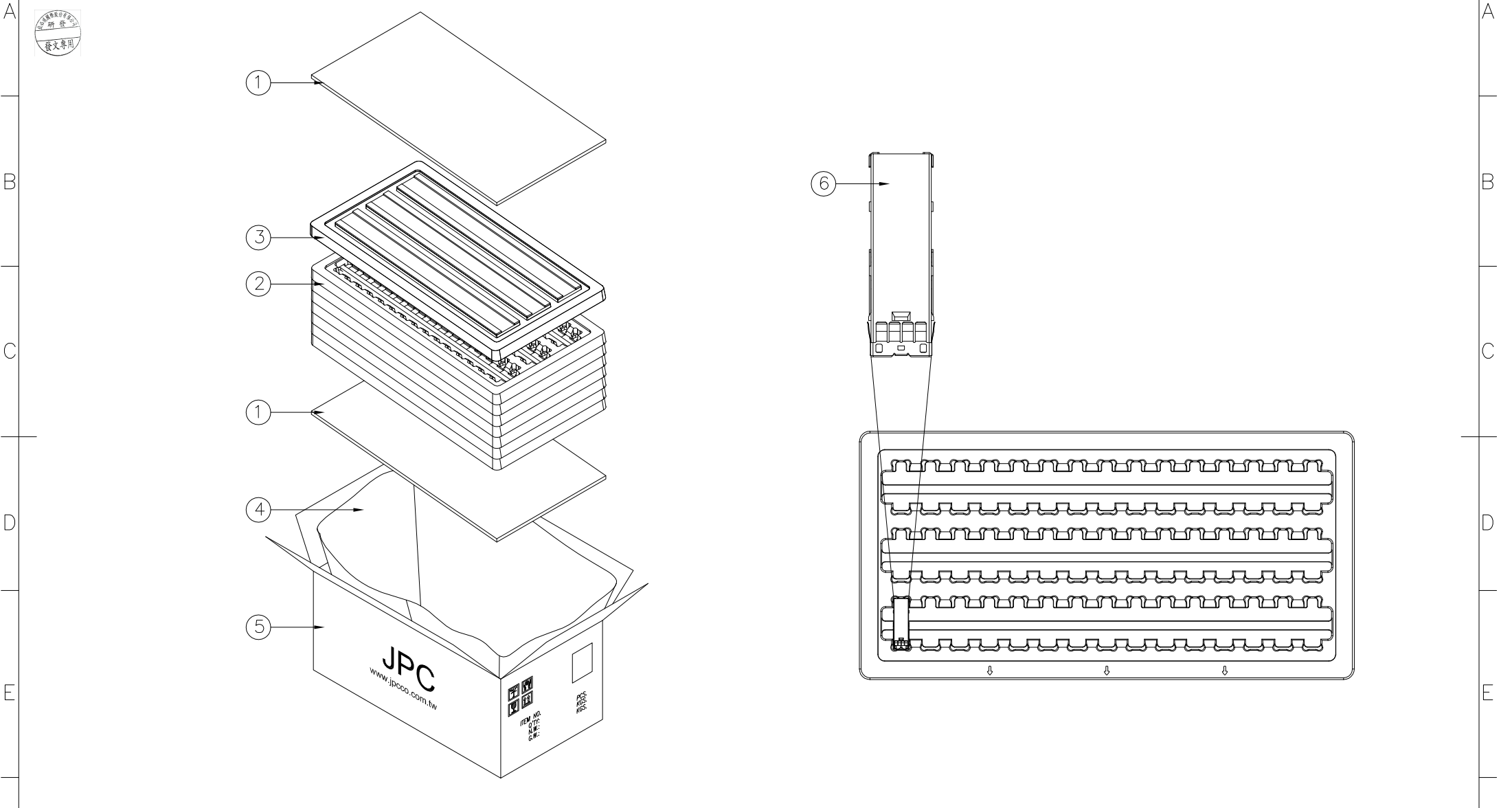
NOTE:
 1. 0.05 MINIMUM KEEP OUT FOR SOLDER MASK AROUND ALL PADS
 2. DATUM D TARGETS ARE DEFINED BY THE RESPECTIVE PAD CENTER LINES AND THE LEADING EDGE OF THE TARGET PADS

ROHS COMPLIANT	HALOGEN FREE	Unit : mm	PROJECTION		JESS-LINK PRODUCTS CO.,LTD.		PRODUCT NO. OR LAYOUT	
		GENERAL TOLERANCES: (UNLESS SPECIFIED)						TITLE SFF 8644 EXTERNAL HD COMBO TYPE CONNECTOR(SINGLE PORT W/STOPS SERIES)
		0 = ±.45 0.0 = ±.30 0.00 = ±.20 0.000 = ±.10 0" = ±.2" 0.0" = ±.1"	D.R. 08/28/2012 Brown	CH.K 08/28/2012 James	SCALE 1:2	SIZE A4	PART NO. P9211C03000T-0	
			APV.D 08/28/2012 Matsu				SH,T NO.9 OF 10	

THIS DRAWING AND THE DATA DISCLOSED HEREIN OR HEREWITH IS NOT TO BE REPRODUCED USED OR DISCLOSED IN WHOLE OR IN PART TO ANYONE WITHOUT THE PERMISSION OF JESS-LINK PRODUCTS CO.,LTD.

CUSTOMER DRAWING

REV.	DESCRIPTION	MDF'D	APP'D	DATE
01	INITIAL DESIGN	Brown	Matsu	08/28/2012
02	ADD RECOMMENDED PRINTED CIRCUIT BOARD & JPC LOGO	Brown	Matsu	03/24/2014
03				



ITEM	DESCRIPTION	Q'TY
7		
6	CONNECTOR	360
5	MASTER CARTON, 405X220X185 mm	1
4	WATERROOF BAG, 400X(107.5+107.5)X415 mm	1
3	TOP TRAY, PET, 370X196X17.8 mm (45Pcs. / Tray)	9
2	BOTTOM TRAY, PET, 370X196X17.8 mm (45Pcs. / Tray)	8
1	PAPER PAD, 385X200X3mm	2

ROHS COMPLIANT HALOGEN FREE	Unit : mm	PROJECTION		JESS-LINK PRODUCTS CO.,LTD.	
	GENERAL TOLERANCES: (UNLESS SPECIFIED)				
	0 = ±.45	D.R. Brown 08/28/2012	TITLE SFF 8644 EXTERNAL HD COMBO TYPE		PRODUCT NO. OR LAYOUT
	0.0 = ±.30	CH.K James 08/28/2012	CONNECTOR(SINGLE PORT W/STOPS SERIES)		
0.000 = ±.10	APV.D Matsu 08/28/2012	SCALE 1:2	SIZE A3	PART NO. P9211C03000T-0	REV. 02
0° = ± 2'					SH,T NO.10 OF 10
0.0° = ± 1'					