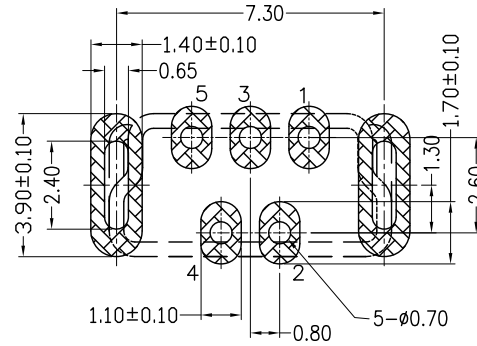
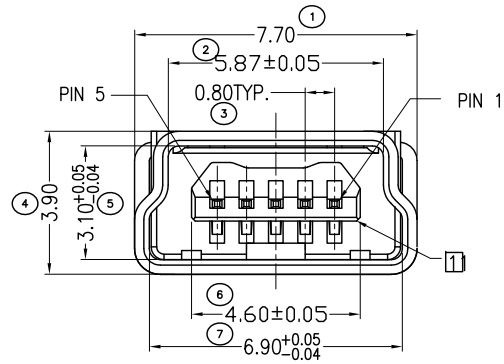


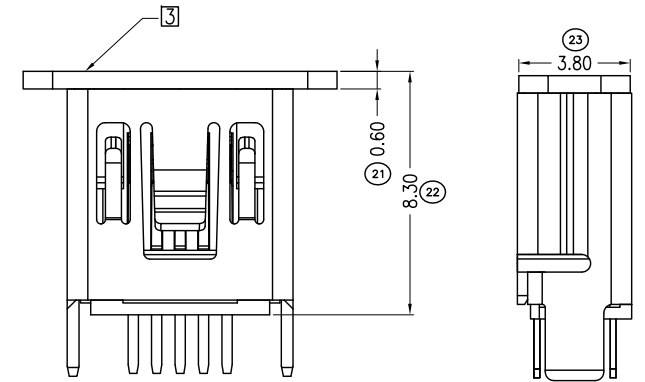
THIS DRAWING AND THE DATA DISCLOSED HEREIN OR HEREWITH IS NOT TO BE REPRODUCED USED OR DISCLOSED IN WHOLE OR IN PART TO ANYONE WITHOUT THE PERMISSION OF JESS-LINK PRODUCTS CO.,LTD.

CUSTOMER DRAWING

REV.	ECN NO.	DESCRIPTION	MDF'D	APP'D	DATE
01		NEW DRAWING RELEASE	FU_XU	RICHARD	05/06/13*
02	ECN-048317	ADD NEW SPECIFICATION	ZHIQIANG	RICHARD	11/25/13*
03	ECN-072495	Modify picture frame	Chenke	RICHARD	11/01/18*

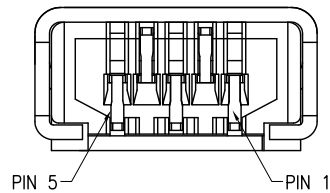
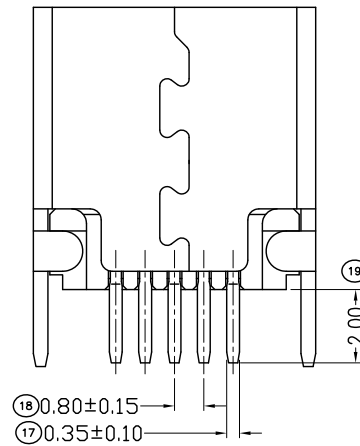
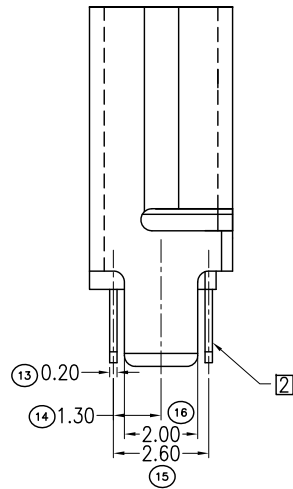
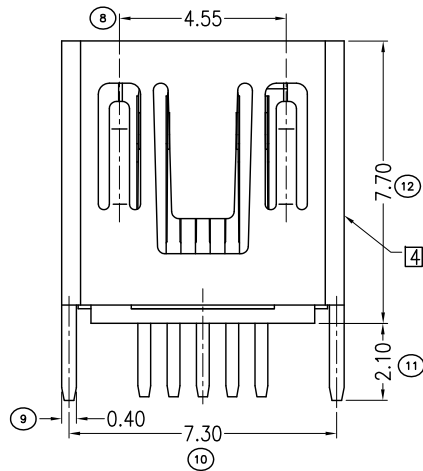


RECOMMENDED PCB LAYOUT(t=1.00±0.15)  
COMPONENT SIDE



CONN-WITH CAP  
SCALE 4:1

11 PART NO.	CONTACT PLATING
UCNRB001DC64-0	Au 15u"
UCNRB010EC64-0	Au 30u"



ITEM	PART	DESCRIPTION	PART NUMBER	Q'TY
4	SHELL	COPPER ALLOY (T=0.40) OVER-PLATING: Ni 40u"	MSTA000333	1
3	CAP	LCP 30%G.F.,UL94V-0 COLOR:BLACK	MPL0019017	1
2	TERMINAL	COPPER ALLOY (T=0.20) CONTACT AREA: SEE NOTE SOLDER AREA: Sn 120u"UNDER-PLATING: Ni 40u"	MSTA00011*	5
1	HOUSING	LCP G.F. 30%, UL94V-0, COLOR: BLACK	MPL0018775	1

RoHS COMPLIANT

HALOGEN FREE

Unit : mm  
GENERAL TOLERANCES:  
(UNLESS SPECIFIED)  
0 = ±.20  
0.0 = ±.10  
0.00 = ±.05  
0.000 = ±.03  
0° = ± 1°  
0.0° = ±.50°

PROJECTION  
D.R. 11/01/2018  
Chenke  
CH.K  
APV.D

**JPC JESS-LINK PRODUCTS CO., LTD.**

TITLE MINI USB-B F CONN 180 DIP WITH CAP(Customer Drawing) PRODUCT NO. OR LAYOUT

SCALE 5:1 SIZE A4 DWG NO. UCNRB001DC64-0 REV. 03 SH,T NO. 1 OF 1

THIS DRAWING AND THE DATA DISCLOSED HEREIN OR HEREWITH IS NOT TO BE REPRODUCED USED OR DISCLOSED IN WHOLE OR IN PART TO ANYONE WITHOUT THE PERMISSION OF JESS-LINK PRODUCTS CO.,LTD.

CUSTOMER DRAWING

REV.	ECN NO.	DESCRIPTION	MDF'D	APP'D	DATE
01		NEW DRAWING RELEASE	FU_XU	RICHARD	05/06/13"
04	ECN-050955	MODIFY REEL	FU_XU	RICHARD	05/13/14"
05	ECN-072217	Revised drawings	denghong	RICHARD	10/24/18"

A

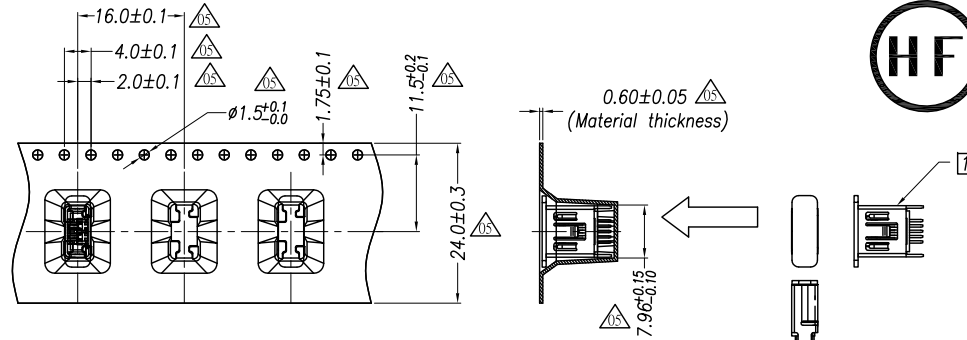
B

C

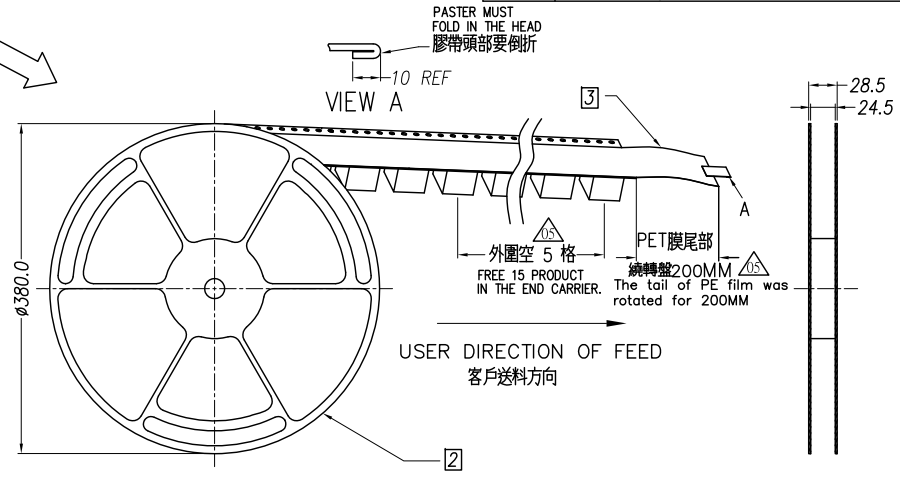
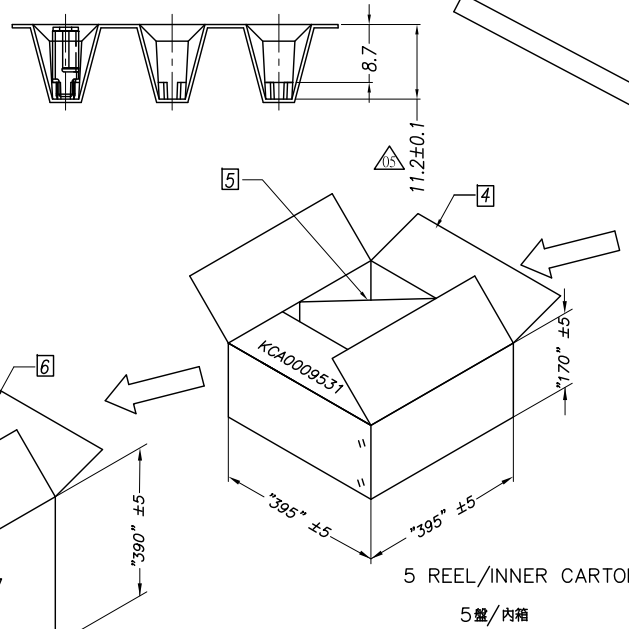
D

E

F



序號 NO.	項目 ITEM
a	包裝方式 Method of packing TAPE REEL
b	包裝方式說明 Packing instruction
c	內包裝單位 Unit of inner packing 箱 CARTON
d	內包裝產品數量 Inner packing quantity 2500 PCS
e	內包裝重量(g) Inner packing weight 3499
f	外包裝內包裝數量 Quantity of inner packing 2
g	外包裝單位 Unit of outer packing 箱 CARTON
h	外包裝重量(g) Weight of outer packing 1035
i	總數量 (PCS) Total quantity 5000
j	長Length(mm)×寬Width(mm)×高High(mm) 415×415×390
k	數量 /卷.1.QUANTITY/REEL 500 PCS
l	淨重 /箱 WEIGHT/CARTON:N.W 3.42KG
m	毛重 /箱 WEIGHT/CARTON:G.W 11.45±0.30KG
n	FREE TWENTY PRODUCT IN THE FRONT CARRIER AND FREE TWENTY PRODUCT IN THE END CARRIER. 包裝箱內置空30格,外置空 5格



I1 PART NO.	CONTACT PLATING
UCNRB001DC64-0	Au 15u"
UCNRB010EC64-0	Au 30u"

ITEM	PART	DESCRIPTION	PART NUMBER	Q'TY	RoHS COMPLIANT	HALOGEN FREE	Unit : mm	PROJECTION	JPC JESS-LINK PRODUCTS CO., LTD.	
[6]	OUTER CARTON (外箱)	K=A	KCA0009528	1					TITLE MINI USB-B F CONN 180° DIP WITH CAP (PACKING DRAWING)	
[5]	A TYPE PAD (三角插板)	K=A	KCA0009596	8					PRODUCT NO. OR LAYOUT	
[4]	INNER CARTON (內箱)	K=A	KCA0009531	2					SCALE X:X	
[3]	COVER TAPE (透明PE帶)	PET	KPP0004658	8.76M/RL					SIZE N/A	
[2]	PLASTIC TRAY (塑膠卷盤)	PS T=2.0, BLUE BLUE	KPP0000197	10					DWG NO. SOP-PK-UCNRB001DC64-0	
	CARRIER TAPE (捲繞式真空盒)	PS T=0.60, BLACK	KPP0005807	8.56M/RL					REV. 05	
[1]	MINI USB-B F		UCNRB001DC64-0	5000					SH,T NO. 1 OF 1	