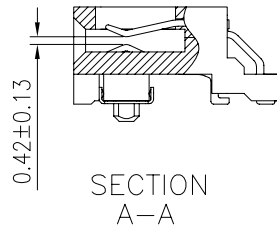
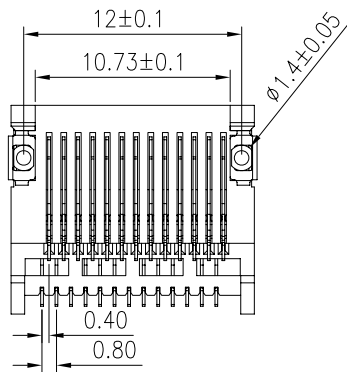
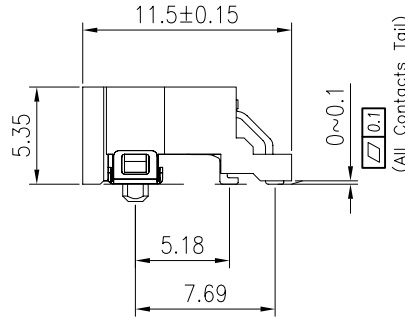
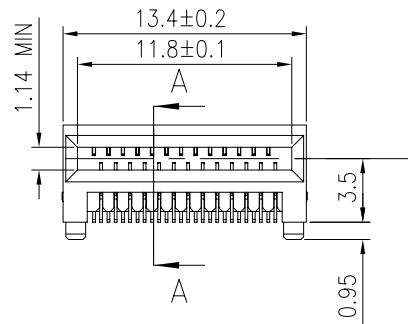
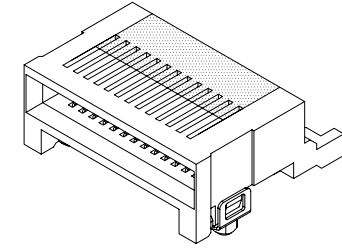
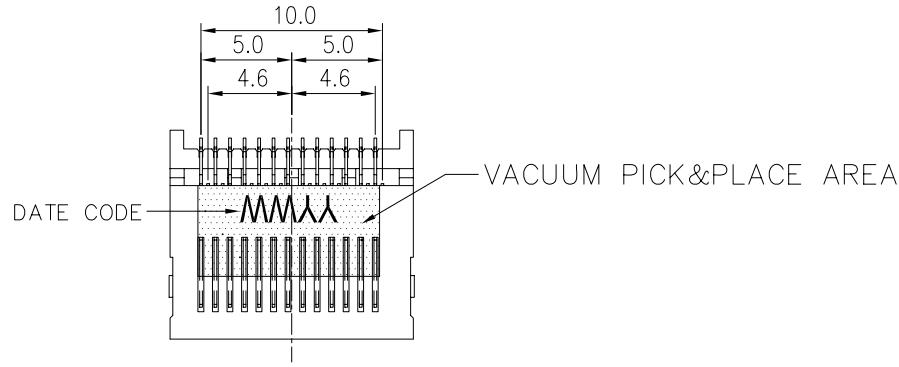


THIS DRAWING AND THE DATA DISCLOSED HEREIN OR HEREWITH IS NOT TO BE REPRODUCED USED OR DISCLOSED IN WHOLE OR IN PART TO ANYONE WITHOUT THE PERMISSION OF JESS-LINK PRODUCTS CO.,LTD.

CUSTOMER DRAWING

REV.	DESCRIPTION	MDF'D	APP'D	DATE
02	Change Carrier Tape	Brown	Matsu	09/23/2008
03	Change Paclage Specification	Brown	Matsu	11/14/2008
04	Molify Drawing	Brown	Matsu	07/16/2010



NOTE:

- MATERIAL:
HOUSING: HI-TEMP THERMOPLASTIC UL 94V-0 BLACK
CONTACT/ SOLDER RING: COPPER ALLOY
- PLATING:
CONTACT
30u" MIN Au ON CONTACT AREA.
100u" MIN MATT TIN ON SOLDER AREA
100u" MIN Ni UNDERPLATE ALL OVER.
SOLDER RING
100u" MIN MATT TIN ON SOLDER AREA
100u" MIN Ni UNDERPLATE ALL OVER.
- PACKAGING: TAPE & REEL
- DATE CODE: YYWW
YY=YEAR OF MANUFACTURE
WW=WEEK OF MANUFACTURE

RoHS COMPLIANT	HALOGEN FREE	Unit : mm	PROJECTION		JESS-LINK PRODUCTS CO.,LTD.		PRODUCT NO. OR LAYOUT
		GENERAL TOLERANCES: (UNLESS SPECIFIED)					
		0 = ±.35 0.0 = ±.25 0.00 = ±.15 0.000 = ±.10 0' = ±.2' 0.0' = ±.1'	D.R. 07/16/2010 Brown	TITLE SFF 8086 26 PIN CONNECTOR W/ SOLDER RING		REV. 04	
			CH.K 07/16/2010 James	SCALE 2:1	SIZE A4	PART NO. P901B0263302-0	SH,T NO. 1 OF 3