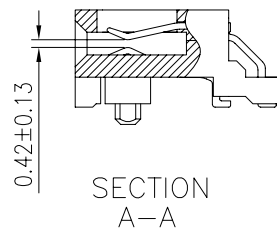
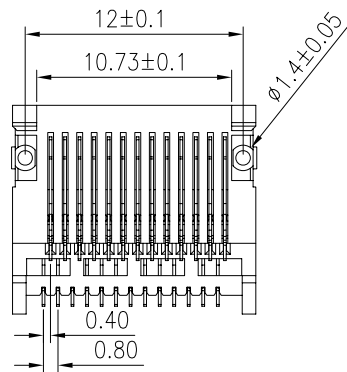
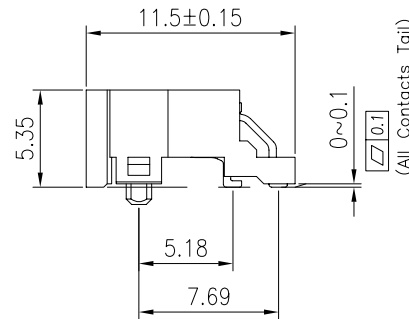
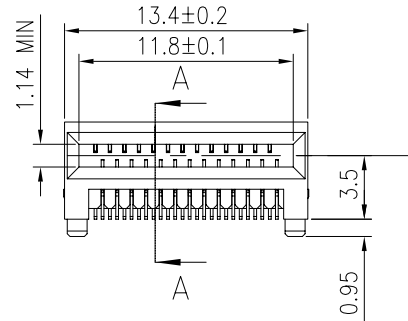
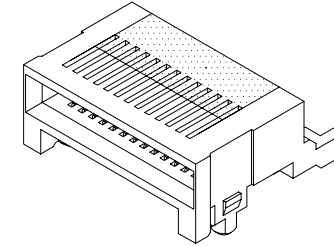
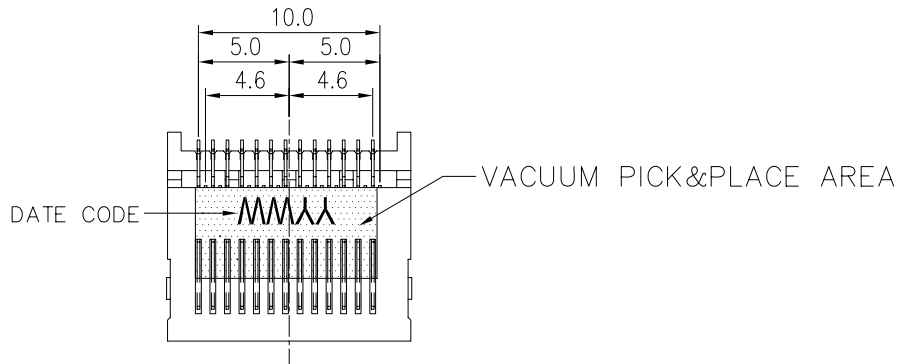


THIS DRAWING AND THE DATA DISCLOSED HEREIN OR HEREWITH IS NOT TO BE REPRODUCED USED OR DISCLOSED IN WHOLE OR IN PART TO ANYONE WITHOUT THE PERMISSION OF JESS-LINK PRODUCTS CO.,LTD.

CUSTOMER DRAWING

REV.	DESCRIPTION	MDF'D	APP'D	DATE
01	INITIAL DESIGN	Brown	Matsu	02/01/2012
02				
03				



NOTE:

- MATERIAL:
HOUSING: HI-TEMP THMOPLASTIC UL 94V-0 BLACK
TERMINAL: COPPER ALLOY
- PLATING:
15u" MIN Au ON CONTACT AREA.
100u" MIN MATT TIN ON SOLDER AREA
100u" MIN Ni UNDERPLATE ALL OVER.
- PACKAGING: TAPE & REEL
- DATE CODE: YYWW
YY=YEAR OF MANUFACTURE
WW=WEEK OF MANUFACTURE

RoHS COMPLIANT	HALOGEN FREE	Unit : mm	PROJECTION	JESS-LINK PRODUCTS CO.,LTD.		PRODUCT NO. OR LAYOUT		
		GENERAL TOLERANCES: (UNLESS SPECIFIED)						
		0.0 = ±.35 0.0 = ±.25 0.00 = ±.15 0.000 = ±.10 0' = ±.2' 0.0' = ±.1'	D.R. 02/01/2012 Brown CH.K 02/01/2012 James APV.D 02/01/2012 Matsu	TITLE SFF 8086 26 PIN CONNECTOR	SCALE 2:1	SIZE A4	PART NO. P901A026320R-0	REV. 01 SH,T NO. 1 OF 3