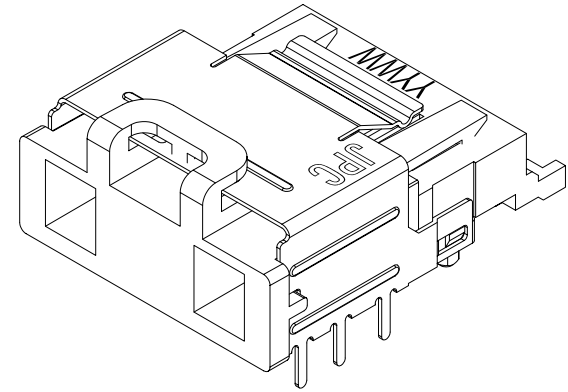
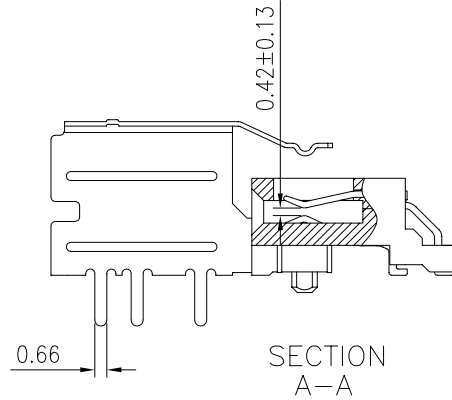
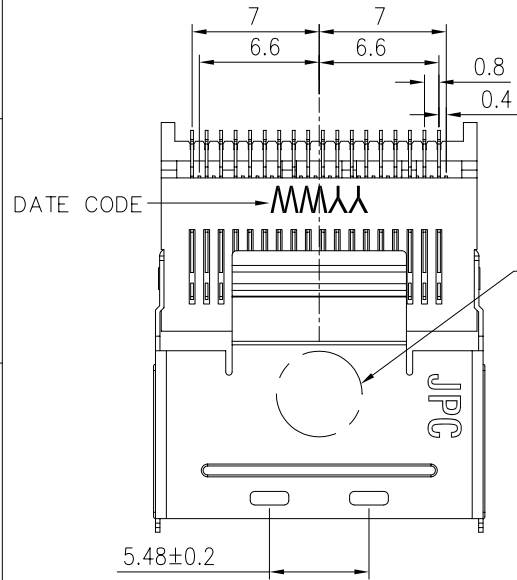


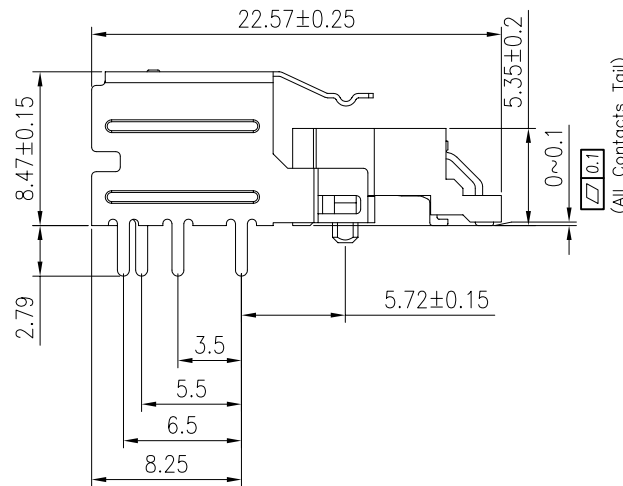
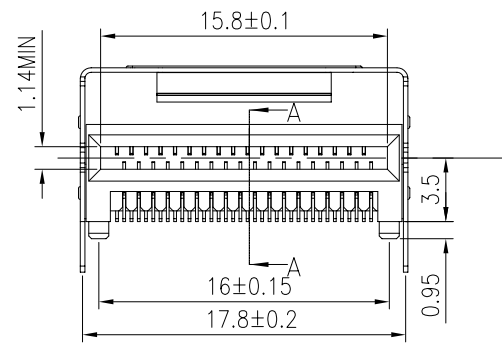
THIS DRAWING AND THE DATA DISCLOSED HEREIN OR HEREWITH IS NOT TO BE REPRODUCED USED OR DISCLOSED IN WHOLE OR IN PART TO ANYONE WITHOUT THE PERMISSION OF JESS-LINK PRODUCTS CO.,LTD.

CUSTOMER DRAWING

REV.	DESCRIPTION	MDF'D	APP'D	DATE
01	INITIAL DESIGN	Brown	Matsu	04/21/2010
02	CHANGE ITEM 2 Q'TY	Brown	Matsu	08/06/2010
03				



- NOTE:
- MATERIAL:
HOUSING/PICK&PLACE:
HI-TEMP THERMOPLASTIC UL 94V-0 BLACK
CONTACT/ SHELL: COPPER ALLOY
 - PLATING:
CONTACT
30u" MIN Au ON CONTACT AREA.
100u" MIN MATT TIN ON SOLDER AREA
100u" MIN Ni UNDERPLATE ALL OVER.
 - PACKAGING: TAPE & REEL
 - DATE CODE: YYWW
YY=YEAR OF MANUFACTURE
WW=WEEK OF MANUFACTURE
 - P/N MARTIX:



P/N: P901F036A32R-0

SFF 8087 R/A COMBO TYPE

36PIN

OPTIONAL KEY

A: W/o KEY
B: LEFT KEY
C: DUAL KEY
D: RIGHT KEY

R: TAPE & REEL

PIN TAIL LENGTH:
1. DIP TAIL: 3.18mm
2. DIP TAIL: 2.79mm

PLATING:
2: MATING-15u" Au / TAIL MATT TIN
3: MATING-30u" Au / TAIL MATT TIN
6: MATING-30u" Au / TAIL G/F

RoHS COMPLIANT	HALOGEN FREE	Unit : mm	PROJECTION		JESS-LINK PRODUCTS CO.,LTD.		PRODUCT NO. OR LAYOUT		
		GENERAL TOLERANCES: (UNLESS SPECIFIED)							
		0 = ±.35 0.0 = ±.25 0.00 = ±.15 0.000 = ±.10 0' = ±.2' 0.0' = ±.1'	D.R. 08/06/2010 Brown	TITLE SFF 8087 36 PIN R/A COMBO TYPE CONNECTOR (UNIVERSAL KEY / DIP TYPE / TAIL 2.79mm)		SCALE	SIZE	PART NO.	REV. 02
			CH.K 08/06/2010 James			N/A	A4	P901F036A32R-0	SH,T NO. 1 OF 3