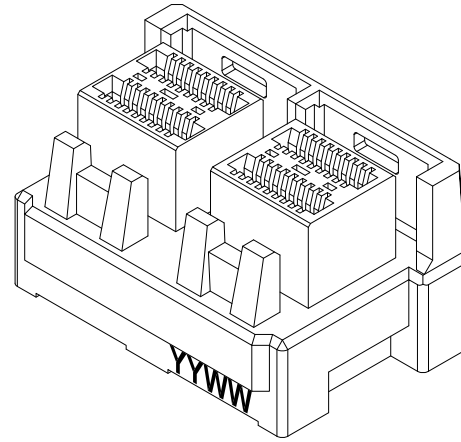
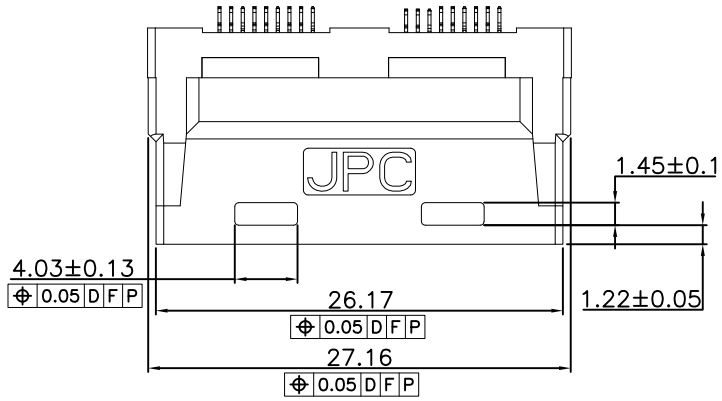


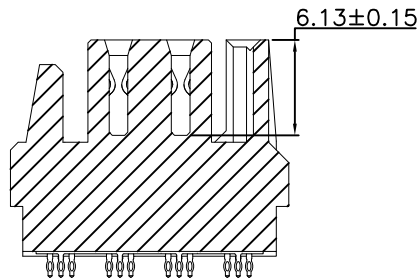
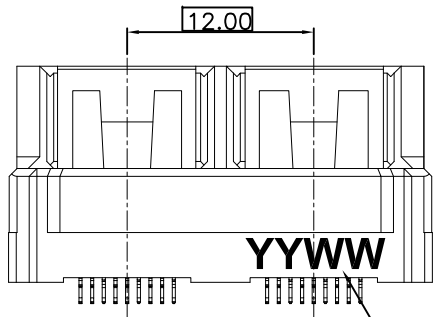
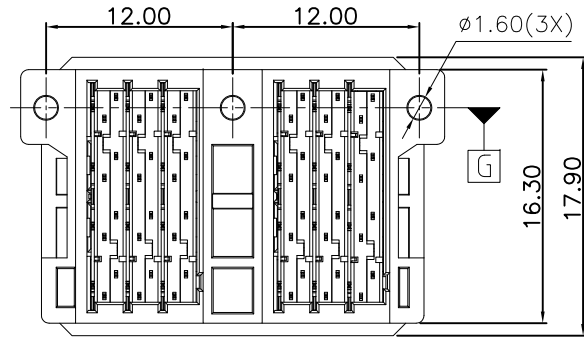
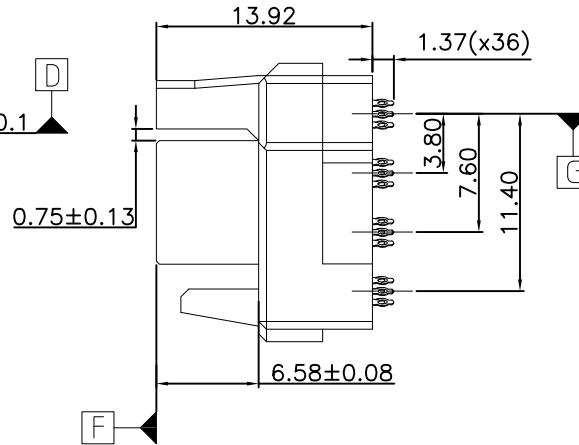
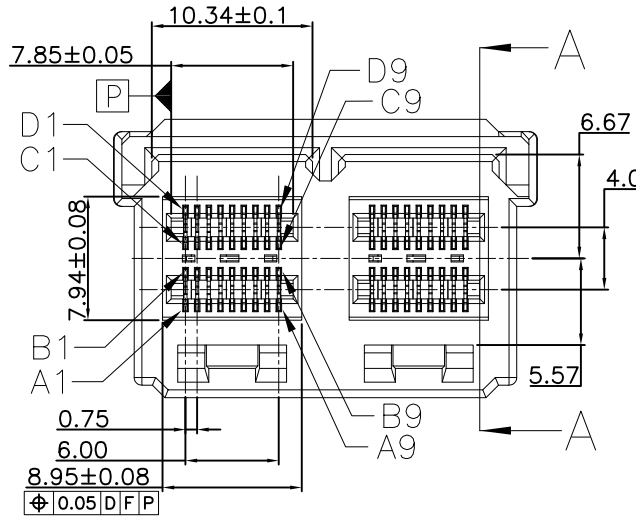
THIS DRAWING AND THE DATA DISCLOSED HEREIN OR HEREWITH IS NOT TO BE REPRODUCED USED OR DISCLOSED IN WHOLE OR IN PART TO ANYONE WITHOUT THE PERMISSION OF JESS-LINK PRODUCTS CO.,LTD.

CUSTOMER DRAWING

REV.	DESCRIPTION	W/D'F'D	APP'D	DATE
02	ADD PACKING	Brown	Matsu	12/26/2013
03	ADD JPC LOGO	Brown	Matsu	05/05/2014
04	MODIFY DIM	Brown	Matsu	11/18/2014



- NOTE:
- MATERIAL:
HOUSING: HI-TEMP THERMOPLASTIC UL 94V-0 BLACK
TERMINAL: COPPER ALLOY
 - PLATING:
30u" MIN Au ON CONTACT AREA.
GOLD FLASH ON TAIL AREA
100u" MIN NICKEL UNDERPLATE ALL OVER
 - DATE CODE: YYWW
YY=YEAR OF MANUFACTURE
WW=WEEK OF MANUFACTURE
 - PACKAGE: TRAY
 - MOUNTING HARDWARE: M2x0.91 SELF-THREADING SCREW
MOUNTING SCREW LENGTH: PCB THICKNESS +3mm MAX (+1.75mm MIN)



P/N:MARTAX:

JPC P/N: P 9 2 4 A 0 7 2 P 3 0 T - 0

SFF 8643 INTERNAL HD (VT)
COMBO TYPE 1 CONNECTOR

PORT NUMBER-PIN
036:1PORT-36PIN
072:2PORT-72PIN
144:4PORT-144PIN

TERMINAL TYPE
P:PRESS FIT

RESERVE
CONNECTOR PLATING
2:15u' Au ON CONTACT AREA+ G/F TAIL
3:30u' Au ON CONTACT AREA+ G/F TAIL

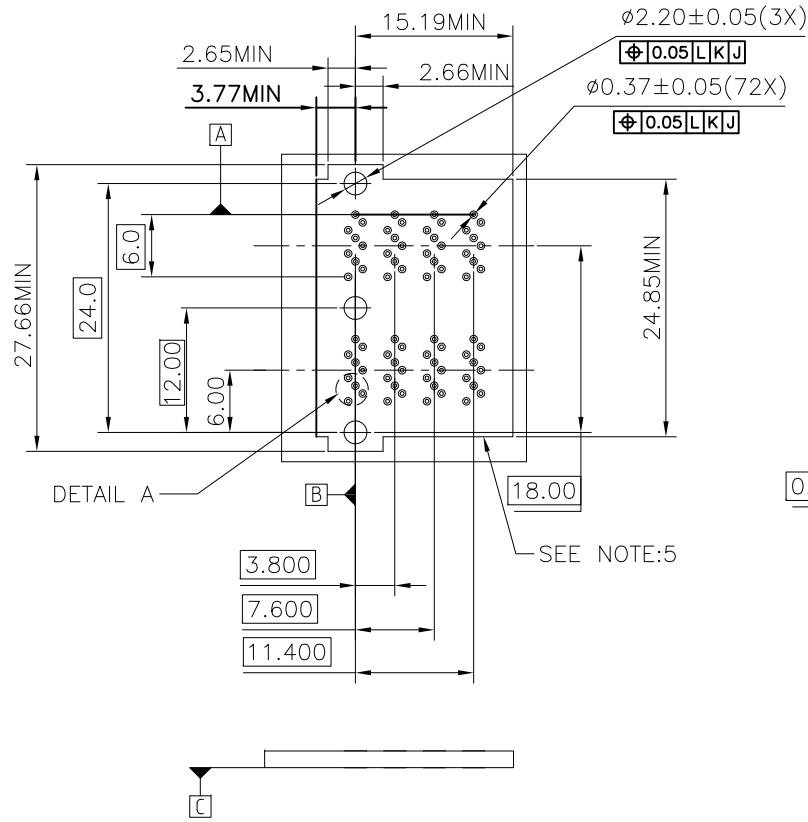
DATE CODE

RoHS COMPLIANT	HALOGEN FREE	Unit : mm	PROJECTION		JPC JESS-LINK PRODUCTS CO., LTD.		
		GENERAL TOLERANCES: UNLESS SPECIFIED	D.R.	08/20/2013	TITLE	INTERNAL MINI SAS HD SERIES (VERTICAL ,1X2 PORT)	PRODUCT NO. OR LAYOUT
		0 - .45	Brown	08/20/2013	SCALE	2:1	A4
		0.01 - .30 0.02 - .20 0.000 - .10 0.0 - .2 0.0 - .1	James	08/20/2013	SIZE	A4	PART NO.
		APV.D	08/20/2013	REV.	04	SH.T. NO.1 OF 3	
		Matsu					

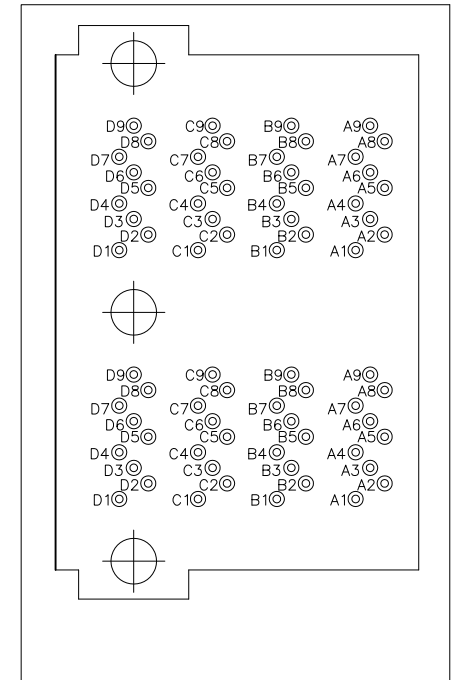
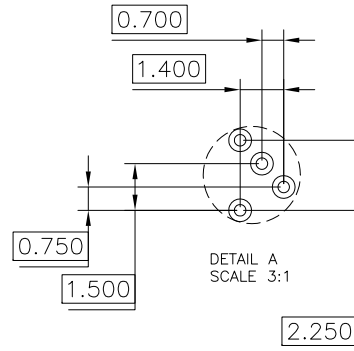
THIS DRAWING AND THE DATA DISCLOSED HEREIN OR HEREWITH IS NOT TO BE REPRODUCED USED OR DISCLOSED IN WHOLE OR IN PART TO ANYONE WITHOUT THE PERMISSION OF JESS-LINK PRODUCTS CO.,LTD.

CUSTOMER DRAWING

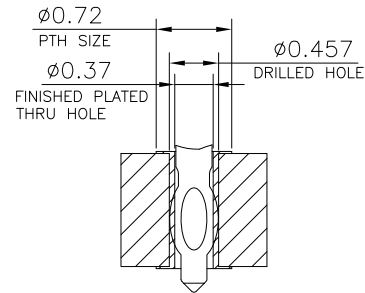
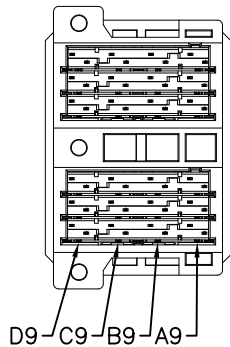
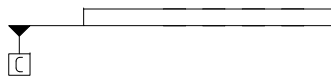
REV.	DESCRIPTION	WDF'D	APP'D	DATE
02	ADD PACKING	Brown	Matsu	12/26/2013
03	ADD JPC LOGO	Brown	Matsu	03/05/2014
04	MODIFY DIM	Brown	Matsu	11/18/2014



- NOTE:
- 1.RECOMMENDED DRILL SIZE AND ANNULAR RING FOR A $\phi 0.37$ FINISHED PTH REFER TO PRINTED CIRCUIT BOARD RECOMMENDED
 - 2.MINIMUM RECOMMENED SPACING: 14.00mm
 - 3.MINIMUM PCB THICKNESS: 1.57mm
 - 4.CONNECTOR KEEP OUT AREA



SCALE 2:1



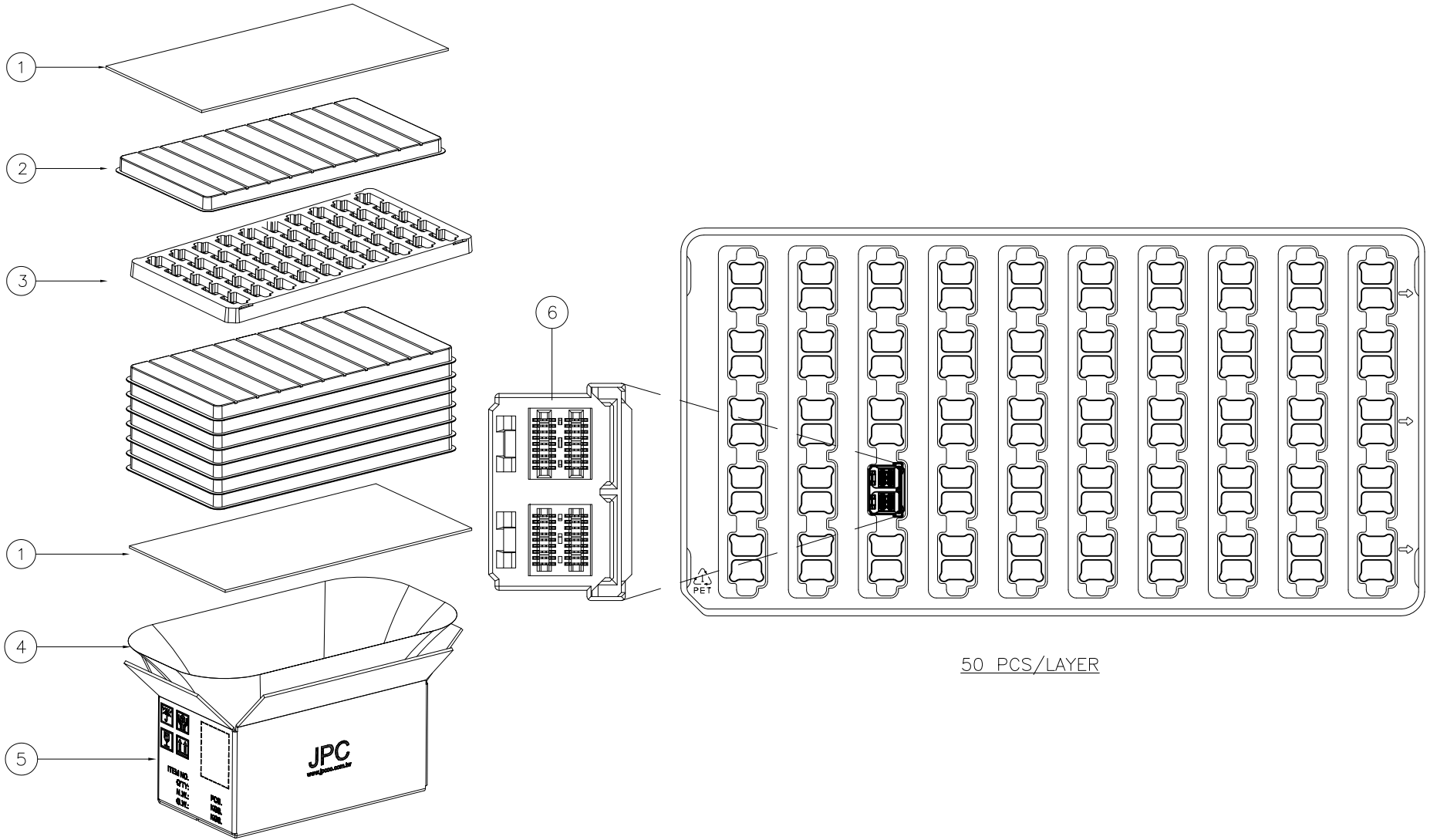
PRINTED CIRCUIT BOARD RECOMMENDED

RoHS COMPLIANT	HALOGEN FREE	Unit : mm	PROJECTION		JPC JESS-LINK PRODUCTS CO., LTD.	TITLE INTERNAL MINI SAS HD SERIES (VERTICAL .1X2 PORT)	PRODUCT NO. OR LAYOUT C13H0220C
		GENERAL TOLERANCES: (UNLESS SPECIFIED)	D.R.	05/29/2013			
		0.10	Brown	05/29/2013			
		0.05	James	05/29/2013			
APV.D	05/29/2013	Matsu	SCALE	SIZE	PART NO.	REV.	SHT. NO.
0.02	05/29/2013	Matsu	2:1	A4	P924A072P30T-0	04	2 OF 3

THIS DRAWING AND THE DATA DISCLOSED HEREIN OR HEREWITH IS NOT TO BE REPRODUCED USED OR DISCLOSED IN WHOLE OR IN PART TO ANYONE WITHOUT THE PERMISSION OF JESS-LINK PRODUCTS CO.,LTD.

CUSTOMER DRAWING

REV.	DESCRIPTION	W/D'F'D	APP'D	DATE
02	ADD PACKING	Brown	Matsu	12/26/2013
03	ADD JPC LOGO	Brown	Matsu	05/05/2014
04	MODIFY DIM	Brown	Matsu	11/18/2014



ITEM	DESCRIPTION	Q'TY
8		
7		
6	INTERNAL MINI SAS 2 PORT HD SERIES	450
5	MASTER CARTON 400x215x190mm	1
4	WATERPROOF PE BAG 415X450mm T=0.05mm	1
3	TRAY, PET 376X197X16.5mm	9
2	TRAY, PET 376X197X16.5mm	10
1	PAPER PAD 393X208X3mm	2

RoHS COMPLIANT	HALOGEN FREE	Unit : mm	PROJECTION		JPC JESS-LINK PRODUCTS CO., LTD.	TITLE INTERNAL MINI SAS HD SERIES (VERTICAL .1X2 PORT)	PRODUCT NO. OR LAYOUT C13H0220C
		GENERAL TOLERANCES: (UNLESS SPECIFIED)	D.R.	05/22/2013			
		0.1	Brown	05/22/2013			
		0.05	James	05/22/2013			
0.000	APV.D	05/22/2013	SCALE	SIZE	PART NO.	REV.	
0.02	Matsu	05/22/2013	2:1	A4	P924A072P30T-0	04	