

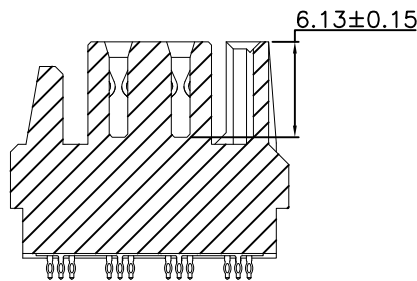
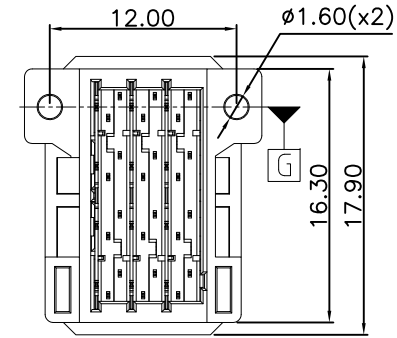
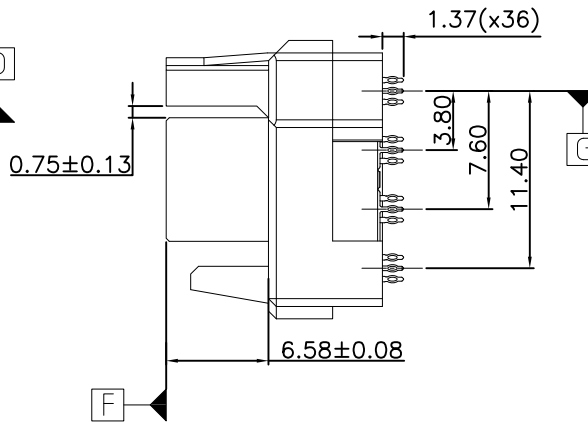
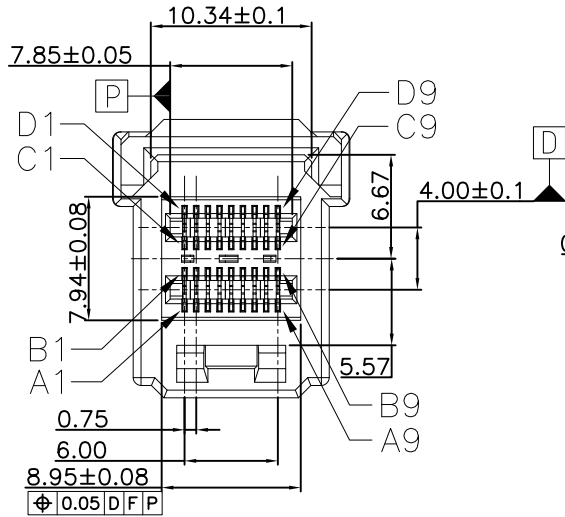
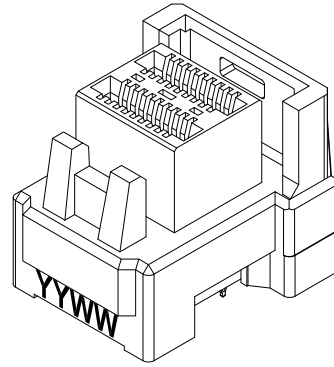
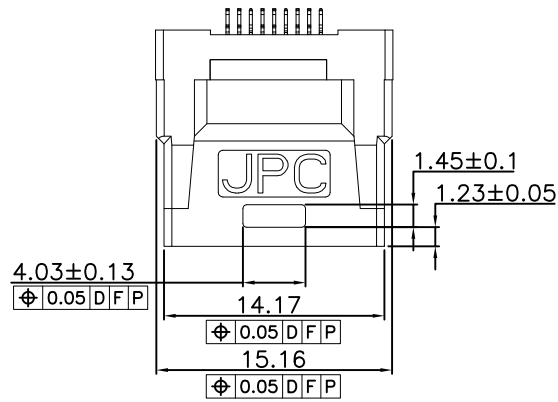
THIS DRAWING AND THE DATA DISCLOSED HEREIN OR HERewith IS NOT TO BE REPRODUCED USED OR DISCLOSED IN WHOLE OR IN PART TO ANYONE WITHOUT THE PERMISSION OF JESS-LINK PRODUCTS CO.,LTD.

CUSTOMER DRAWING

REV.	DESCRIPTION	W/D'F'D	APP'D	DATE
03	ADD JPC LOGO	Brown	Matsu	03/05/2014
04	MODIFY NOTE 5	Brown	Matsu	03/27/2014
05	MODIFY DIM	Brown	Matsu	11/18/2014

NOTE:

- MATERIAL:
HOUSING: HI-TEMP THERMOPLASTIC UL 94V-0 BLACK
TERMINAL: COPPER ALLOY
- PLATING:
30u" MIN Au ON CONTACT AREA.
GOLD FLASH ON TAIL AREA
100u" MIN NICKEL UNDERPLATE ALL OVER
- DATE CODE: YYWW
YY=YEAR OF MANUFACTURE
WW=WEEK OF MANUFACTURE
- PACKAGE: TRAY
- MOUNTING HARDWARE: M2x0.91 SELF-THREADING SCREW
MOUNTING SCREW LENGTH: PCB THICKNESS +3mm MAX (+1.75mm MIN)



P/N:MARTAX:

JPC P/N: P 9 2 4 A 0 3 6 P 3 0 T - 0

SFF 8643 INTERNAL HD (VT)
COMBO TYPE 1 CONNECTOR

PORT NUMBER-PIN
036:1PORT-36PIN
072:2PORT-72PIN
144:4PORT-144PIN

TERMINAL TYPE
P:PRESS FIT

RESERVE

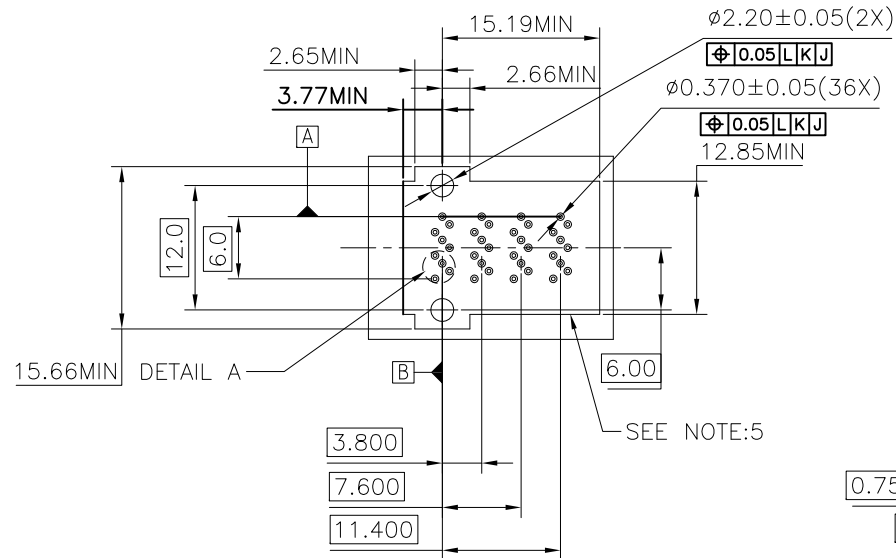
CONNECTOR PLATING
2:15u' Au ON CONTACT AREA+ G/F TAIL
3:30u' Au ON CONTACT AREA+ G/F TAIL

RoHS COMPLIANT	HALOGEN FREE	Unit : mm	PROJECTION	JPC JESS-LINK PRODUCTS CO., LTD.	
		GENERAL TOLERANCES: UNLESS SPECIFIED	D.R. 06/21/2013 Brown	TITLE	PRODUCT NO. OR LAYOUT
		0.15	James	INTERNAL MINI SAS HD SERIES (VERTICAL ,SINGLE PORT)	C13H0220C
		0.30	APV.D 06/21/2013	SCALE	REV. 05
		0.50	Matsu	SIZE	SH.T NO.1 OF 3
		0.63		PART NO.	
		0.75		P924A036P30T-0	

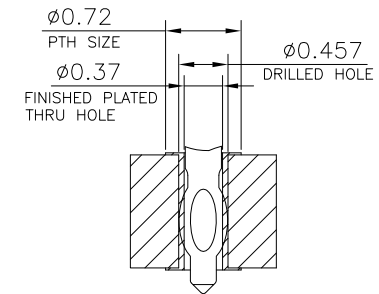
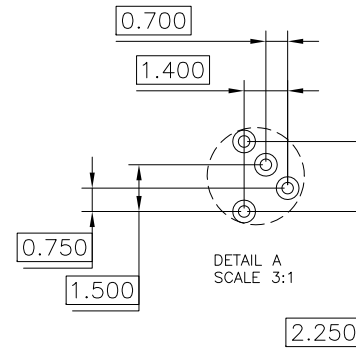
THIS DRAWING AND THE DATA DISCLOSED HEREIN OR HEREWITH IS NOT TO BE REPRODUCED USED OR DISCLOSED IN WHOLE OR IN PART TO ANYONE WITHOUT THE PERMISSION OF JESS-LINK PRODUCTS CO.,LTD.

CUSTOMER DRAWING

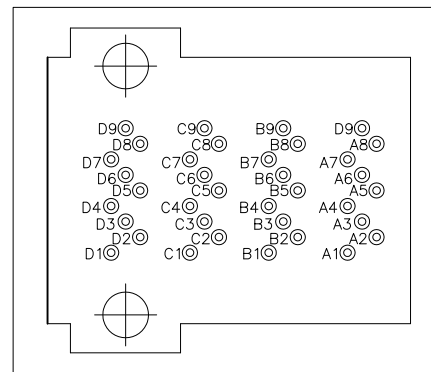
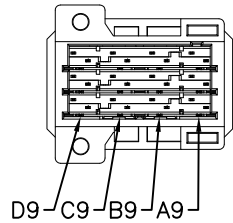
REV.	DESCRIPTION	WDF'D	APP'D	DATE
03	ADD JPC LOGO	Brown	Matsu	03/05/2014
04	MODIFY NOTE 5	Brown	Matsu	03/27/2014
05	MODIFY DIM	Brown	Matsu	11/18/2014



NOTE:
 1.RECOMMENDED DRILL SIZE AND ANNULAR RING FOR A $\phi 0.37$ FINISHED PTH REFER TO PRINTED CIRCUIT BOARD RECOMMENDED
 2.MINIMUM RECOMMENDED SPACING: 14.00mm
 3.MINIMUM PCB THICKNESS: 1.57mm
 4.CONNECTOR KEEP OUT AREA



PRINTED CIRCUIT BOARD RECOMMENDED



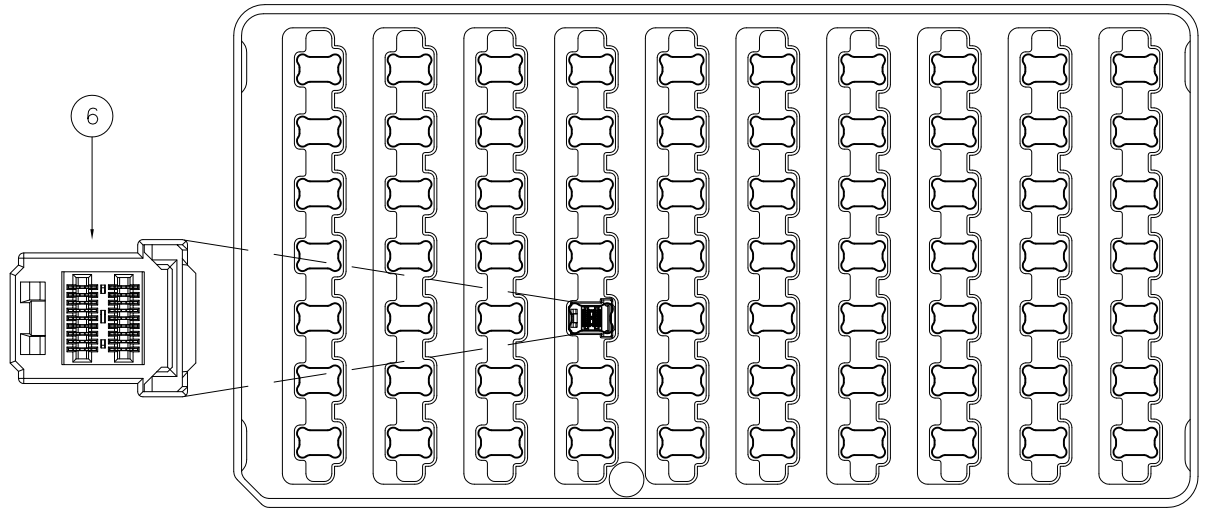
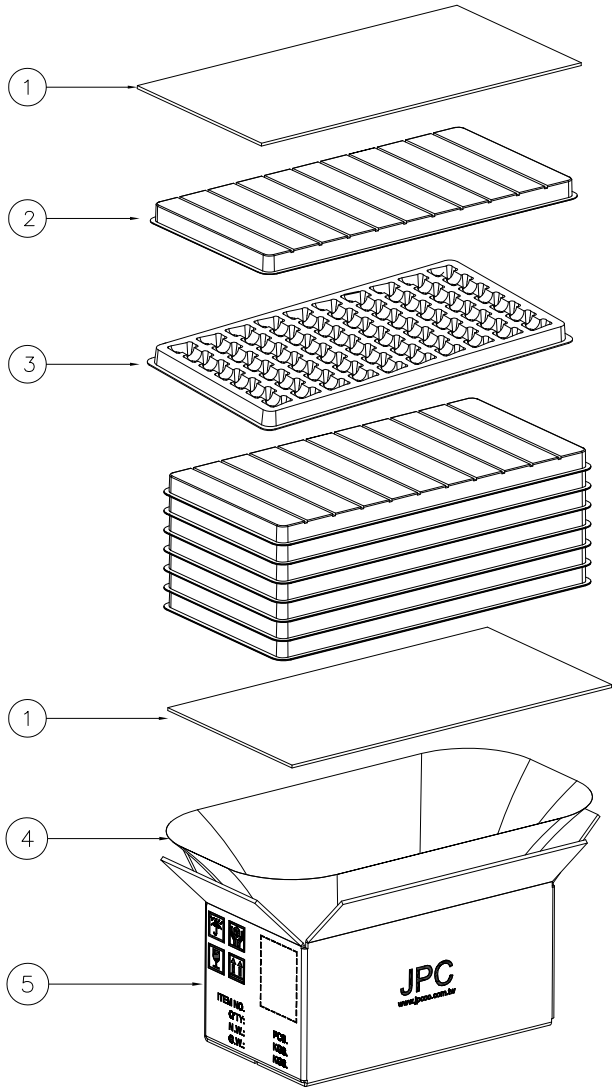
SCALE 2:1

RoHS COMPLIANT	HALOGEN FREE	Unit : mm	PROJECTION		JPC JESS-LINK PRODUCTS CO., LTD.	
		GENERAL TOLERANCES (UNLESS SPECIFIED)	D.R. 05/21/2013	TITLE	INTERNAL MINI SAS HD SERIES (VERTICAL SINGLE PORT)	PRODUCT NO. OR LAYOUT C13H0220C
		0.1 ± .40				
		0.05 ± .20	0.05/21/2013	James	2:1	A4
0.000 ± .10	APV.D 05/21/2013	Matsu				

THIS DRAWING AND THE DATA DISCLOSED HEREIN OR HEREWITH IS NOT TO BE REPRODUCED USED OR DISCLOSED IN WHOLE OR IN PART TO ANYONE WITHOUT THE PERMISSION OF JESS-LINK PRODUCTS CO.,LTD.

CUSTOMER DRAWING

REV.	DESCRIPTION	WDF'D	APP'D	DATE
03	ADD JPC LOGO	Brown	Matsu	03/05/2014
04	MODIFY NOTE 5	Brown	Matsu	03/27/2014
05	MODIFY DIM	Brown	Matsu	11/18/2014



70 PCS/LAYER

ITEM	DESCRIPTION	Q'TY
8		
7		
6	INTERNAL MINI SAS 1 PORT HD SERIES	630
5	MASTER CARTON 400x215x190mm	1
4	WATERPROOF PE BAG 415X450mm T=0.05mm	1
3	TRAY, PET 376X197X16.5mm	9
2	TRAY, PET 376X197X16.5mm	10
1	PAPER PAD 393X208X3mm	2

RoHS COMPLIANT	HALOGEN FREE	Unit : mm	PROJECTION		JPC JESS-LINK PRODUCTS CO., LTD.			
		GENERAL TOLERANCES (UNLESS SPECIFIED)	D.R.	05/21/2013	TITLE	INTERNAL MINI SAS HD SERIES (VERTICAL SINGLE PORT)	PRODUCT NO. OR LAYOUT	C13H0220C
		0.1	Brown	CHK	03/21/2013	SCALE	SIZE	PART NO.
		0.05	James	APV.D	03/21/2013	2:1	A4	P924A036P30T-0
		0.02	Matsu			REV. 05	SHT. NO. 3 OF 3	