

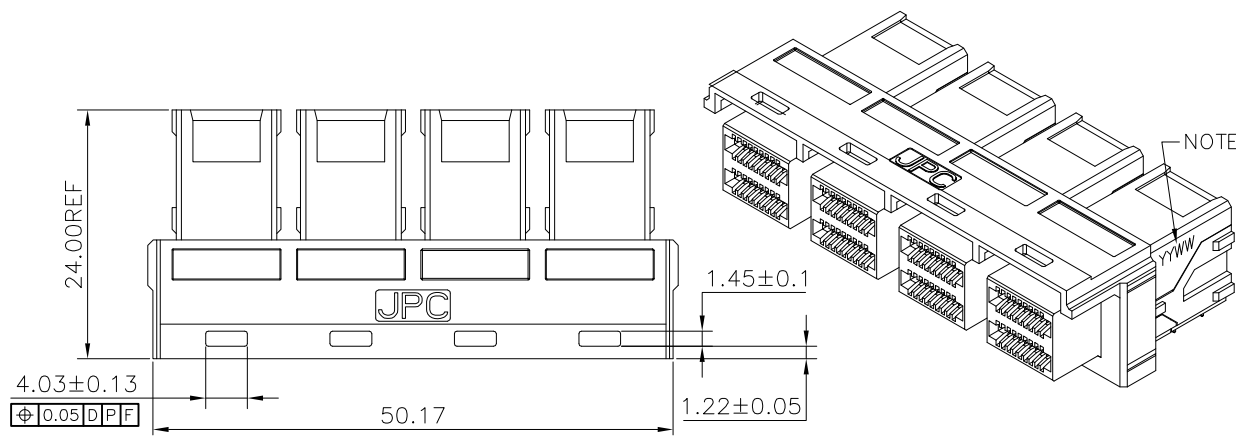
THIS DRAWING AND THE DATA DISCLOSED HEREIN OR HEREWITH IS NOT TO BE REPRODUCED USED OR DISCLOSED IN WHOLE OR IN PART TO ANYONE WITHOUT THE PERMISSION OF JESS-LINK PRODUCTS CO.,LTD.

CUSTOMER DRAWING

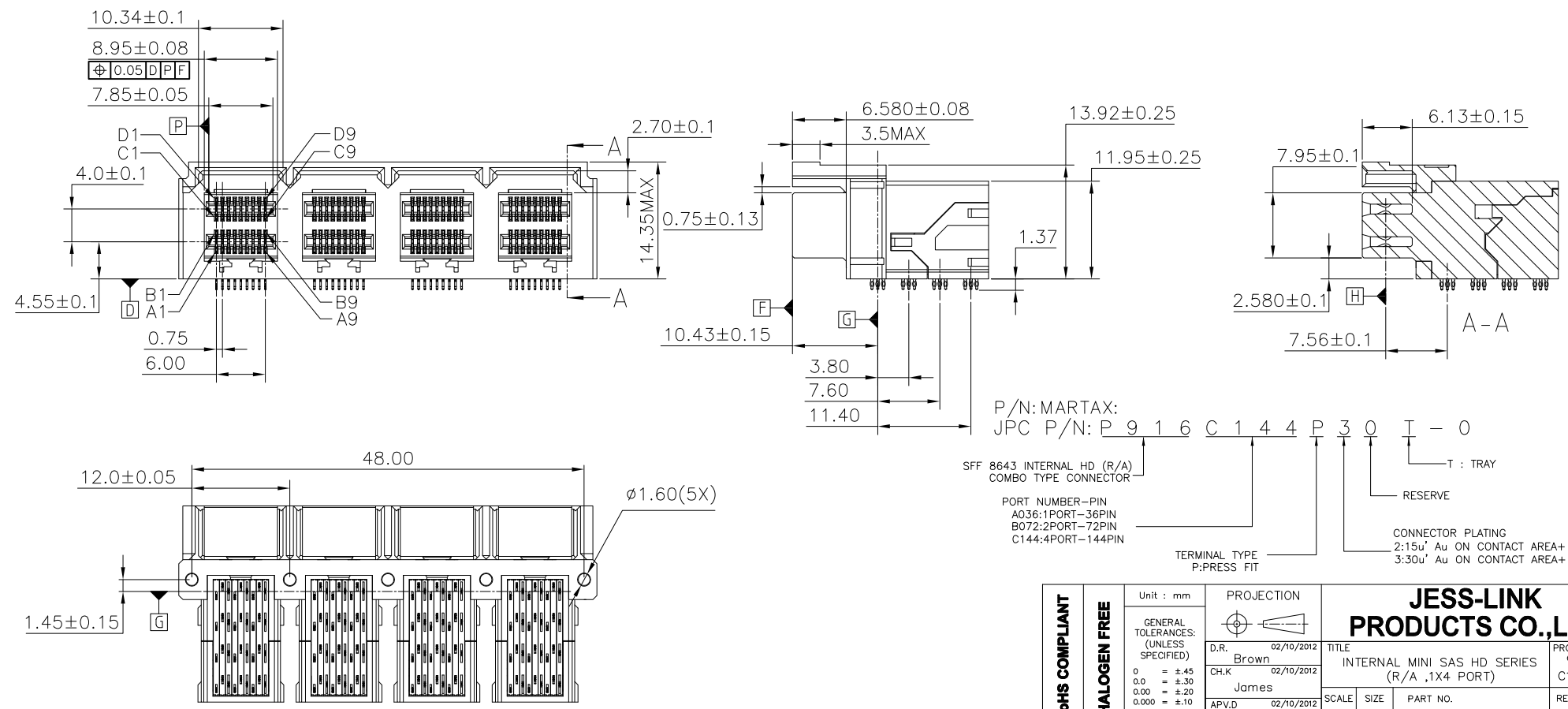
REV.	DESCRIPTION	MDF'D	APP'D	DATE
04	ADD LATCH FRAME STEP WIDTH & JPC LOGO	Brown	Matsu	01/06/2014
05	MODIFY RECOMMENDED PRINTED CIRCUIT BOARD	Brown	Matsu	03/05/2014
06	MODIFY DIM	Brown	Matsu	07/03/2015

A  
B  
C  
D  
E  
F

A  
B  
C  
D  
E  
F



- NOTE:  
 1.MATERIAL:  
 HOUSING: HI-TEMP THERMOPLASTIC UL 94V-0 BLACK  
 TERMINAL: COPPER ALLOY  
 2.PLATING:  
 30u" MIN Au ON CONTACT AREA.  
 GOLD FLASH ON TAIL AREA  
 100u" MIN NICKEL UNDERPLATE ALL OVER  
 3.DATE CODE: YYWW  
 YY=YEAR OF MANUFACTURE  
 WW=WEEK OF MANUFACTURE  
 4.PACKAGE: TRAY  
 5.MOUNTING HARDWARE: M2x0.89 PT SELF-THREADING SCREW  
 MOUNTING SCREW LENGTH: PCB THICKNESS +3mm MAX (+1.75mm MIN)



P/N: MARTAX:  
 JPC P/N: P 9 1 6 C 1 4 4 P 3 0 T - 0

SFF 8643 INTERNAL HD (R/A)  
 COMBO TYPE CONNECTOR

PORT NUMBER-PIN  
 A036:1PORT-36PIN  
 B072:2PORT-72PIN  
 C144:4PORT-144PIN

TERMINAL TYPE  
 P:PRESS FIT

CONNECTOR PLATING  
 2:15u' Au ON CONTACT AREA+ G/F TAIL  
 3:30u' Au ON CONTACT AREA+ G/F TAIL

T: TRAY  
 RESERVE

<b>ROHS COMPLIANT</b>	<b>HALOGEN FREE</b>	Unit : mm	PROJECTION		<b>JESS-LINK PRODUCTS CO.,LTD.</b>		PRODUCT NO. OR LAYOUT C10H0220A
		GENERAL TOLERANCES: (UNLESS SPECIFIED)					
		0 = ±.45 0.0 = ±.30 0.00 = ±.20 0.000 = ±.10 0" = ±.2" 0.0" = ±.1"	D.R. 02/10/2012 Brown	TITLE INTERNAL MINI SAS HD SERIES (R/A ,1X4 PORT)		REV. 06	
			CH.K 02/10/2012 James	SCALE 2:1	SIZE A3	PART NO. P916C144P30T-0	SH,T NO.1 OF 3

1 2 3 4 5 6 7 8