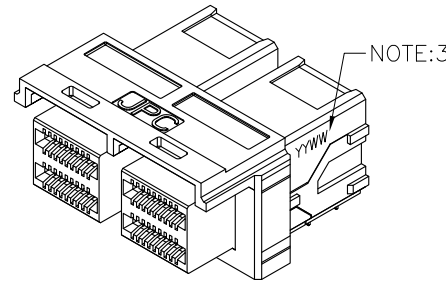
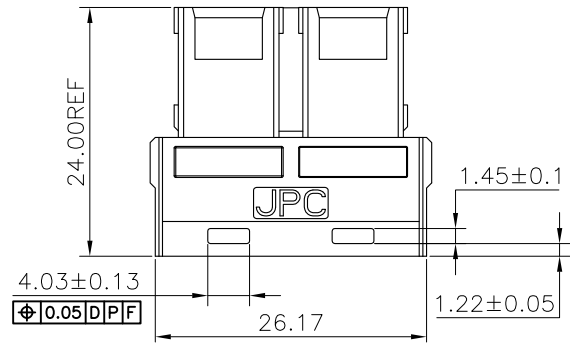


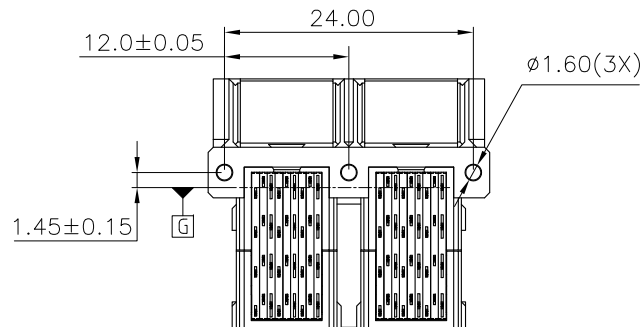
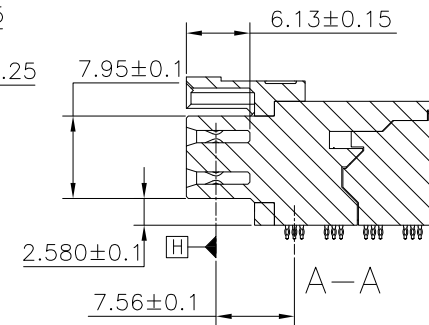
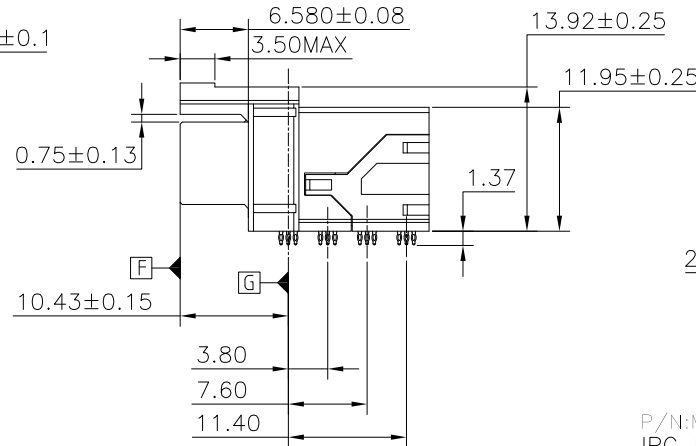
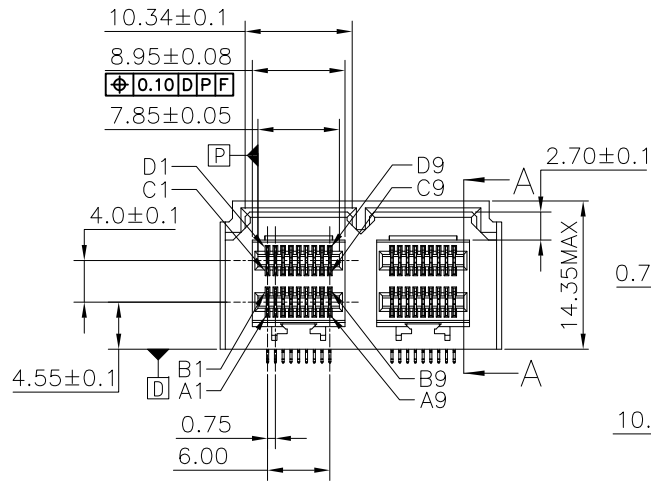
THIS DRAWING AND THE DATA DISCLOSED HEREIN OR HEREWITH IS NOT TO BE REPRODUCED USED OR DISCLOSED IN WHOLE OR IN PART TO ANYONE WITHOUT THE PERMISSION OF JESS-LINK PRODUCTS CO.,LTD.

CUSTOMER DRAWING

REV.	DESCRIPTION	MDF'D	APP'D	DATE
04	MODIFY RECOMMENDED PRINTED CIRCUIT BOARD	Brown	Matsu	03/05/2014
05	MODIFY DIM	Brown	Matsu	07/03/2015
06	ADD SUPPORT RIBS	Jason	Ray	01/04/2017



- NOTE:
- MATERIAL:
HOUSING: HI-TEMP THERMOPLASTIC UL 94V-0 BLACK
TERMINAL: COPPER ALLOY
 - PLATING:
30u" MIN Au ON CONTACT AREA.
GOLD FLASH ON TAIL AREA
100u" MIN NICKEL UNDERPLATE ALL OVER
 - DATE CODE: YYWW
YY=YEAR OF MANUFACTURE
WW=WEEK OF MANUFACTURE
 - PACKAGE: TRAY
 - MOUNTING HARDWARE: M2x0.89 PT SELF-THREADING SCREW
MOUNTING SCREW LENGTH: PCB THICKNESS +3mm MAX (+1.75mm MIN)



P/N: MARTAX:
JPC P/N: P 9 1 6 B 0 7 2 P 3 0 T - 0

SFF 8643 INTERNAL HD (R/A)
COMBO TYPE CONNECTOR

PORT NUMBER-PIN
A036:1PORT-36PIN
B072:2PORT-72PIN
C144:4PORT-144PIN

TERMINAL TYPE
P:PRESS FIT

RESERVE

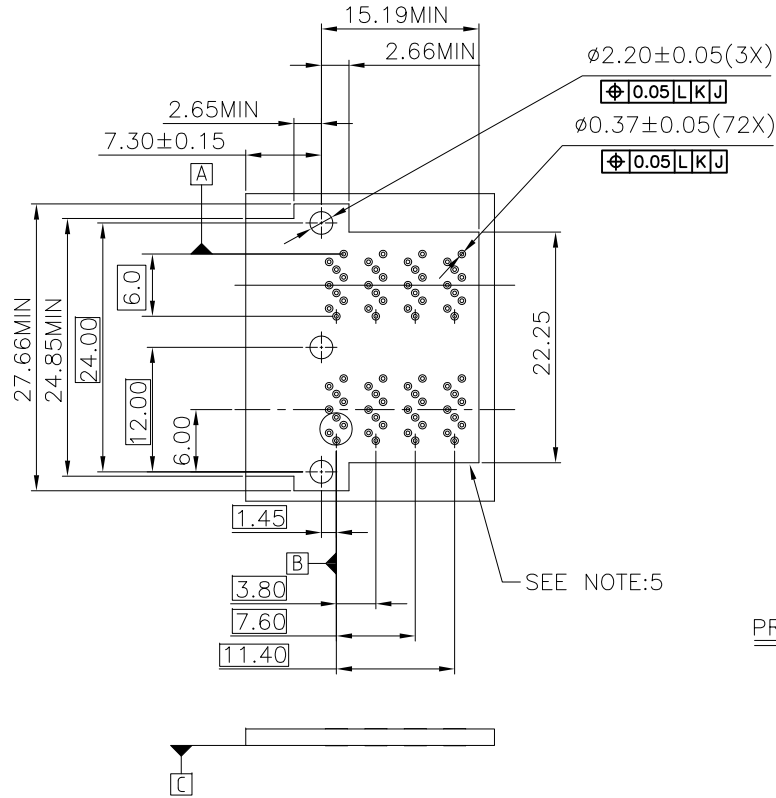
CONNECTOR PLATING
2:15u" Au ON CONTACT AREA+ G/F TAIL
3:30u" Au ON CONTACT AREA+ G/F TAIL

RoHS COMPLIANT HALOGEN FREE	Unit : mm	PROJECTION		JPC JESS-LINK PRODUCTS CO., LTD.	
	GENERAL TOLERANCES: UNLESS SPECIFIED	D/R	Brown	TITLE	INTERNAL MINI SAS HD SERIES (R/A ,1X2 PORT)
	0 = ±.45 0.0 = ±.30 0.00 = ±.20 0.000 = ±.10 0' = ±.2' 0.0' = ±.1'	CH.K	SCALE	SIZE	PRODUCT NO. OR LAYOUT C10H0220A
		APV.D	2:1	A4	REV. 06
				PART NO. P916B072P30T-0	SH.T NO. 1 of 3

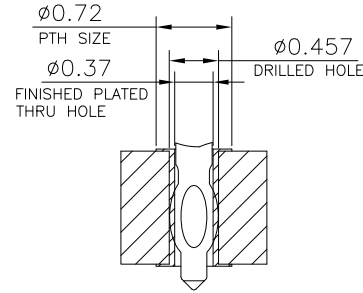
THIS DRAWING AND THE DATA DISCLOSED HEREIN OR HEREWITH IS NOT TO BE REPRODUCED USED OR DISCLOSED IN WHOLE OR IN PART TO ANYONE WITHOUT THE PERMISSION OF JESS-LINK PRODUCTS CO.,LTD.

CUSTOMER DRAWING

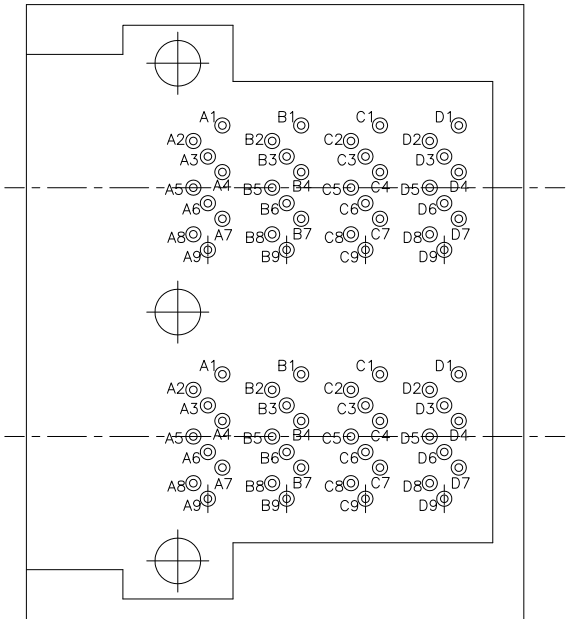
REV.	DESCRIPTION	MDF'D	APP'D	DATE
04	MODIFY RECOMMENDED PRINTED CIRCUIT BOARD	Brown	Matsu	03/05/2014
05	MODIFY DIM	Brown	Matsu	07/03/2015
06	ADD SUPPORT RIBS	Jason	Ray	01/04/2017



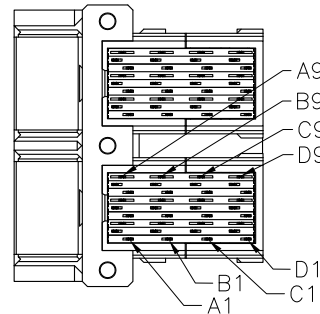
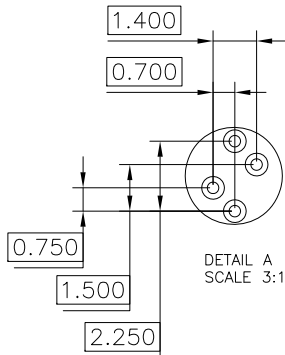
NOTE:
 1.RECOMMENDED DRILL SIZE AND ANNULAR RING FOR A Ø0.37 FINISHED PTH REFER TO PRINTED CIRCUIT BOARD RECOMMENDED
 2.MINIMUM RECOMMENDED SPACING: 14.00mm
 3.MINIMUM PCB THICKNESS: 1.57mm
 4.CONNECTOR KEEP OUT AREA



PRINTED CIRCUIT BOARD RECOMMENDED



SCALE 2:1

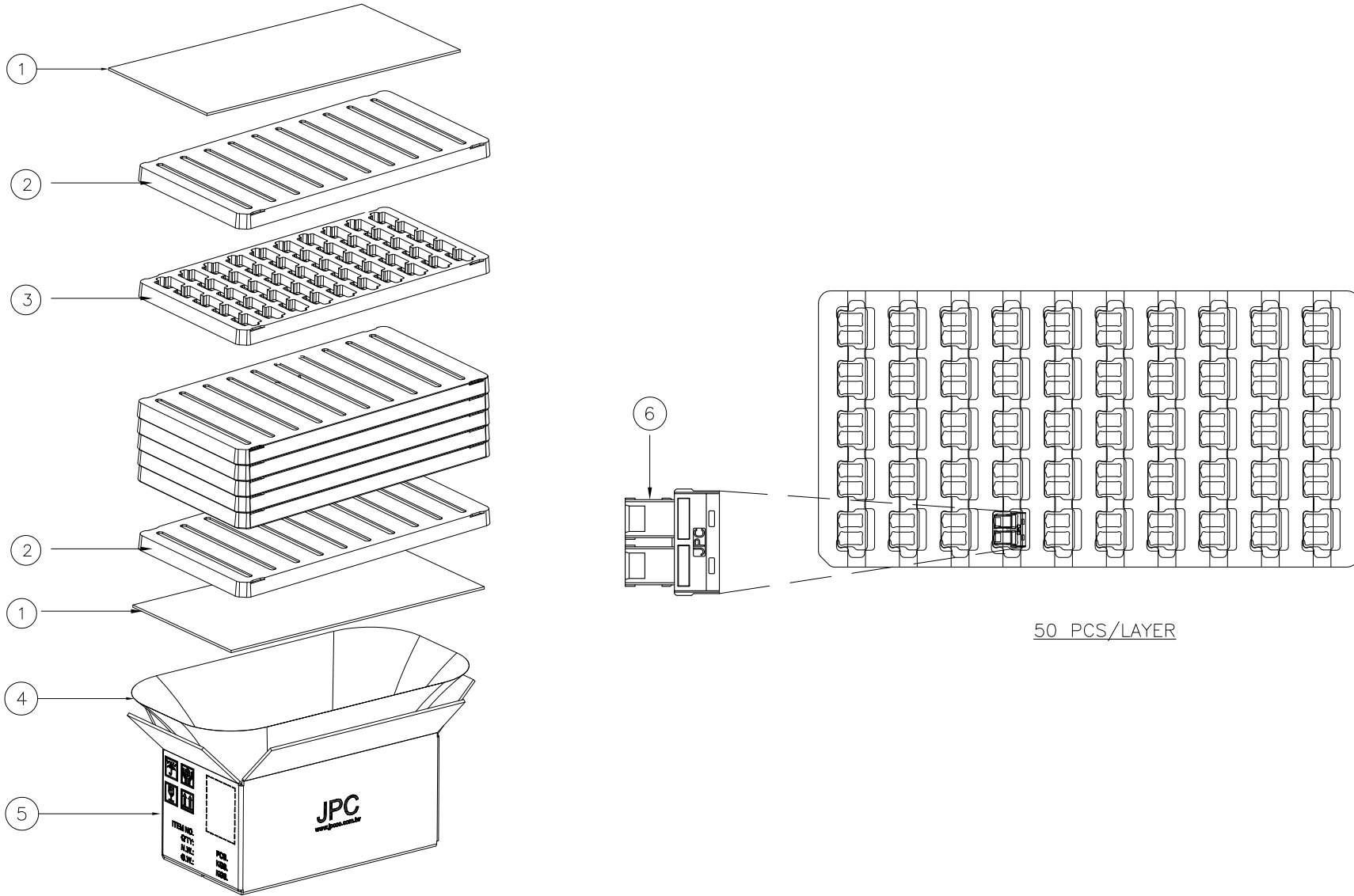


RoHS COMPLIANT	HALOGEN FREE	Unit : mm	PROJECTION		JPC JESS-LINK PRODUCTS CO., LTD.	PRODUCT NO. OR LAYOUT C10H0220A		
		GENERAL TOLERANCES: UNLESS SPECIFIED	D/R	Brown			TITLE	
		0 = ±.45	C.H.K				INTERNAL MINI SAS HD SERIES (R/A ,1X2 PORT)	
		0.0 = ±.30 0.00 = ±.20 0.000 = ±.10 0' = ±.2' 0.0' = ±.1'	APV.D	SCALE			SIZE	PART NO.
		2:1	A4	P916B072P30T-0	REV. 06			
					SH.T NO. 2 of 3			

THIS DRAWING AND THE DATA DISCLOSED HEREIN OR HEREWITH IS NOT TO BE REPRODUCED USED OR DISCLOSED IN WHOLE OR IN PART TO ANYONE WITHOUT THE PERMISSION OF JESS-LINK PRODUCTS CO.,LTD.

CUSTOMER DRAWING

REV.	DESCRIPTION	MDF'D	APP'D	DATE
04	MODIFY RECOMMENDED PRINTED CIRCUIT BOARD	Brown	Matsu	03/05/2014
05	MODIFY DIM	Brown	Matsu	07/03/2015
06	ADD SUPPORT RIBS	Jason	Ray	01/04/2017



50 PCS/LAYER

6	INTERNAL MINI SAS 2 PORT HD SERIES	450
5	MASTER CARTON 400x215x190mm	1
4	WATERPROOF PE BAG 415X450mm T=0.05mm	1
3	TRAY, PET 366.2X187.2X17.8mm	9
2	TRAY, PET 367X188X16.7mm	10
1	PAPER PAD 39.3X208X3mm	2
ITEM	DESCRIPTION	Q'TY

RoHS COMPLIANT	HALOGEN FREE	Unit : mm	PROJECTION	JPC JESS-LINK PRODUCTS CO., LTD.			
		GENERAL TOLERANCES: UNLESS SPECIFIED	D/R		TITLE		
		0 = ±.45 0.0 = ±.30 0.00 = ±.20 0.000 = ±.10 0' = ±.2' 0.0' = ±.1'	Brown		INTERNAL MINI SAS HD SERIES (R/A ,1X2 PORT)		
			APV.D	SCALE	SIZE	PART NO.	PRODUCT NO. OR LAYOUT
				2:1	A4	P916B072P30T-0	C10H0220A
							REV. 06
							SH.T. NO. 3 of 3