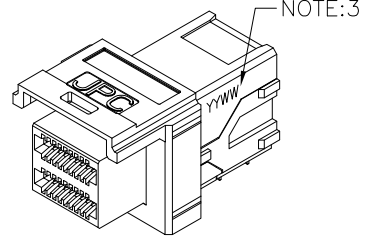
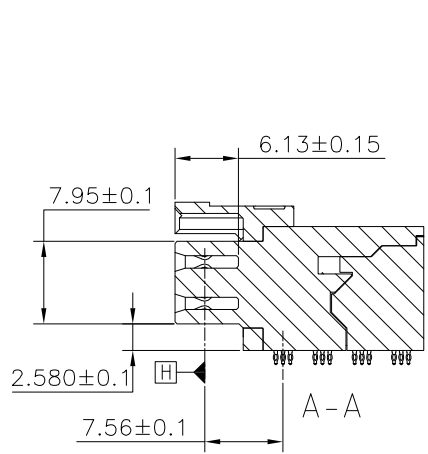
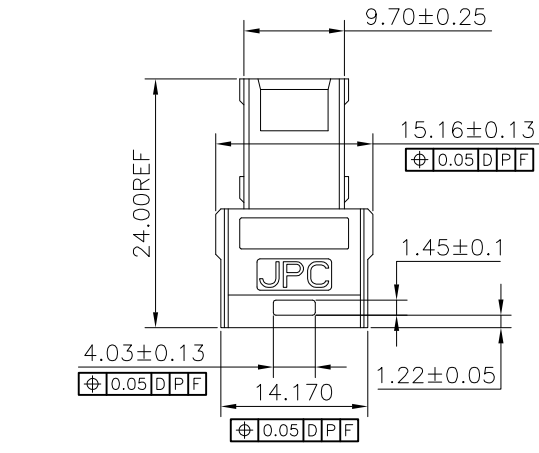


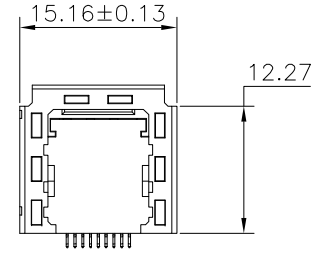
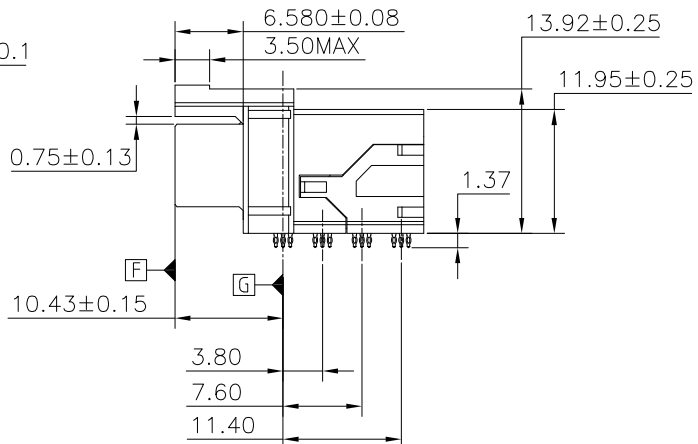
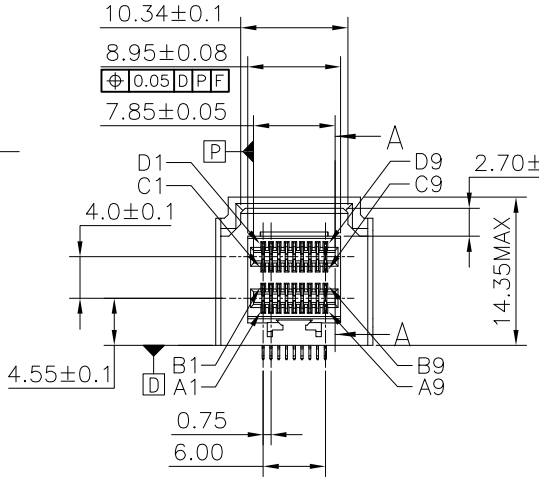
THIS DRAWING AND THE DATA DISCLOSED HEREIN OR HEREWITH IS NOT TO BE REPRODUCED USED OR DISCLOSED IN WHOLE OR IN PART TO ANYONE WITHOUT THE PERMISSION OF JESS-LINK PRODUCTS CO.,LTD.

CUSTOMER DRAWING

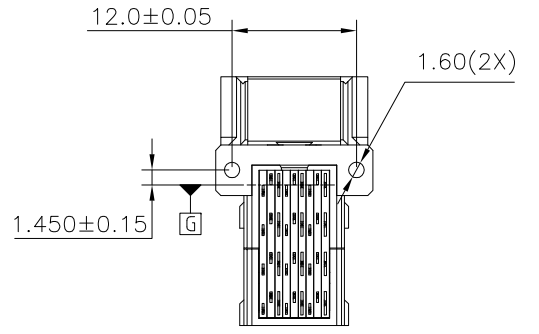
REV.	DESCRIPTION	MDF'D	APP'D	DATE
03	ADD LATCH FRAME STEP WIDTH & JPC LOGO	Brown	Matsu	01/06/2014
04	MODIFY RECOMMENDED PRINTED CIRCUIT BOARD	Brown	Matsu	03/05/2014
05	MODIFY DIM	Brown	Matsu	07/03/2015



NOTE:
 1.MATERIAL:
 HOUSING: HI-TEMP THERMOPLASTIC UL 94V-0 BLACK
 TERMINAL:COPPER ALLOY
 2.PLATING:
 30u" MIN Au ON CONTACT AREA.
 GOLD FLASH ON TAIL AREAG
 100u" MIN NICKEL UNDERPLATE ALL OVER
 3.DATE CODE: YYWW
 YY=YEAR OF MANUFACTURE
 WW=WEEK OF MANUFACTURE
 4.PACKAGE:TRAY
 5.MOUNTING HARDWARE: M2x0.89 PT SELF-THREADING SCREW
 MOUNTING SCREW LENGTH: PCB THICKNESS +3mm MAX (+1.75mm MIN)



P/N: MARTAX:
 JPC P/N: P 9 1 6 A 0 3 6 P 3 0 T - 0
 SFF 8643 INTERNAL HD (R/A)
 COMBO TYPE CONNECTOR
 PORT NUMBER-PIN
 A036:1PORT-36PIN
 B072:2PORT-72PIN
 C144:4PORT-144PIN
 T : TRAY
 RESERVE
 CONNECTOR PLATING
 2:15u' Au ON CONTACT AREA+ G/F TAIL
 3:30u' Au ON CONTACT AREA+ G/F TAIL
 TERMINAL TYPE
 P:PRESS FIT



ROHS COMPLIANT	HALOGEN FREE	Unit : mm	PROJECTION		JESS-LINK PRODUCTS CO.,LTD.		D.R. <u>Brown</u> 09/30/2010	TITLE INTERNAL MINI SAS HD SERIES (R/A ,SINGLE PORT)	PRODUCT NO. OR LAYOUT C10H0220A
		GENERAL TOLERANCES: (UNLESS SPECIFIED)							
		0 = ±.45	D.R. <u>Brown</u> 09/30/2010	SCALE	SIZE	PART NO. P916A036P30T-0	REV. 05		
		0.0 = ±.30	CH.K <u>James</u> 09/30/2010	2:1	A3			SH.T NO.1 OF 3	
0.00 = ±.20	APV.D <u>Matsu</u> 09/30/2010								
0.000 = ±.10									
0' = ±.2'									
0.0' = ±.1'									