

THIS DRAWING AND THE DATA DISCLOSED HEREIN OR HEREWITH IS NOT TO BE REPRODUCED USED OR DISCLOSED IN WHOLE OR IN PART TO ANYONE WITHOUT THE PERMISSION OF JESS-LINK PRODUCTS CO.,LTD.

CUSTOMER DRAWING

REV.	DESCRIPTION	W/D'F'D	APP'D	DATE
01	INITIAL DESIGN	Zhao	Ray	08/01/2017
02				
03				

NOTE:

- MATERIAL:
HOUSING: HI-TEMP THERMOPLASTIC UL 94V-0 BLACK
TERMINAL/FORK/LOCK: COPPER ALLOY
- PLATING:
TERMINAL: 30u" MIN GOLD ON MATING AREA
100u" MIN MATTE TIN ON SOLDER AREA
50u" MIN NICKEL UNDERPLATE ALL OVER
SOLDER TAB: 50u" MIN NICKEL UNDERPLATE ALL OVER
100u" MIN MATTE TIN ALL OVER
- DATE CODE: YYWW
YY=YEAR OF MANUFACTURE
WW=WEEK OF MANUFACTURE
- PACKAGE: TAPE & REEL
- P/N: MARTAX:
JPC P/N: P 9 2 3 D 0 6 8 3 S 0 S - 0

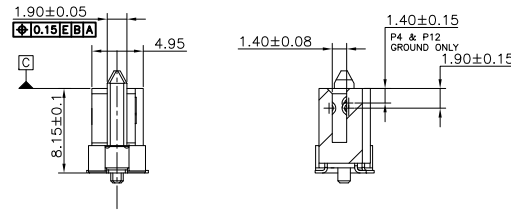
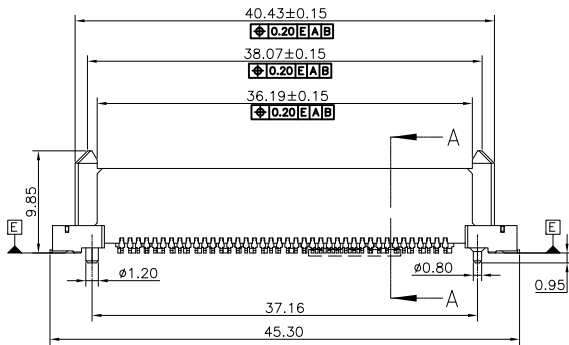
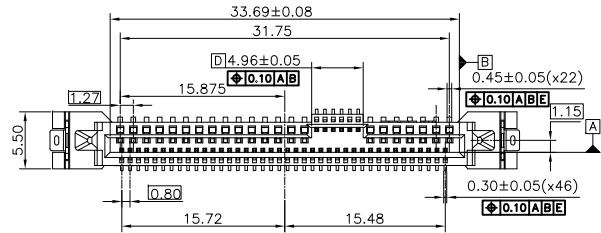
SFF 8639 RECEPTACLE
VERTICAL SMT SERIES

PACKAGE
R : TAPE&REEL WITH CAP
S : TAPE&REEL W/O CAP

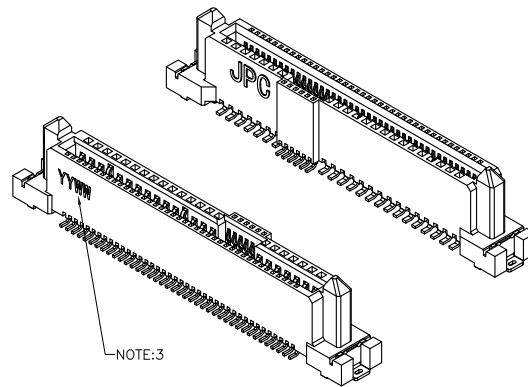
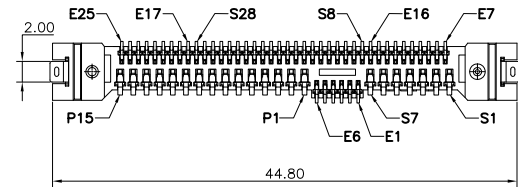
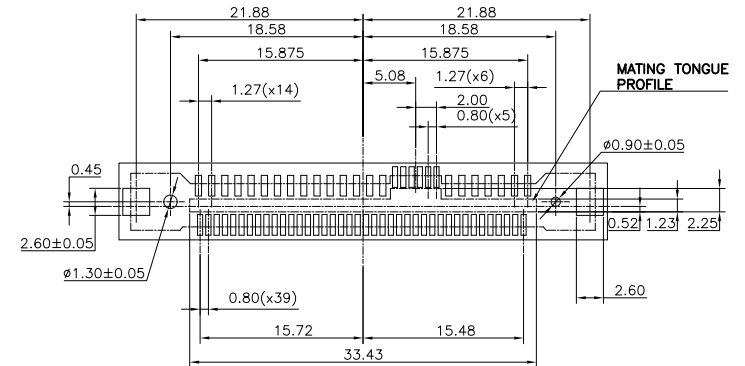
POS:
062: 62PIN
068: 68PIN

CONNECTOR PLATING
2:MATING -15u' Au / TAIL MATT TIN
3:MATING -30u' Au / TAIL MATT TIN

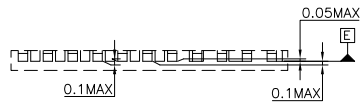
0: NOT APPLICABLE
S: SMT TYPE BOARDLOCK



A-A



NOTE:3



RoHS COMPLIANT	HALOGEN FREE	Unit: mm	PROJECTION	JESS-LINK PRODUCTS CO.,LTD.	
		GENERAL TOLERANCES: (UNLESS SPECIFIED)	DRAWN: Zhao	TITLE: SFF 8639 PCI-e SAS 68PIN CONNECTOR (RECEPTACLE, VERTICAL, SOLDER TAB)	PRODUCT NO. OR LAYOUT: C15H0270B
		0 = ±0.15	CHK: Zhao	SCALE: 1:2	SIZE: A3
		0.0 = ±0.05	APP'D:	PART NO.: P923D0683S0S-0	REV. 01
		0.000 = ±0.010			SHT. NO.1 OF 1
		0.05 = ±0.025			
		0.1 = ±0.050			
		0.2 = ±0.100			
		0.5 = ±0.250			
		1.0 = ±0.500			