

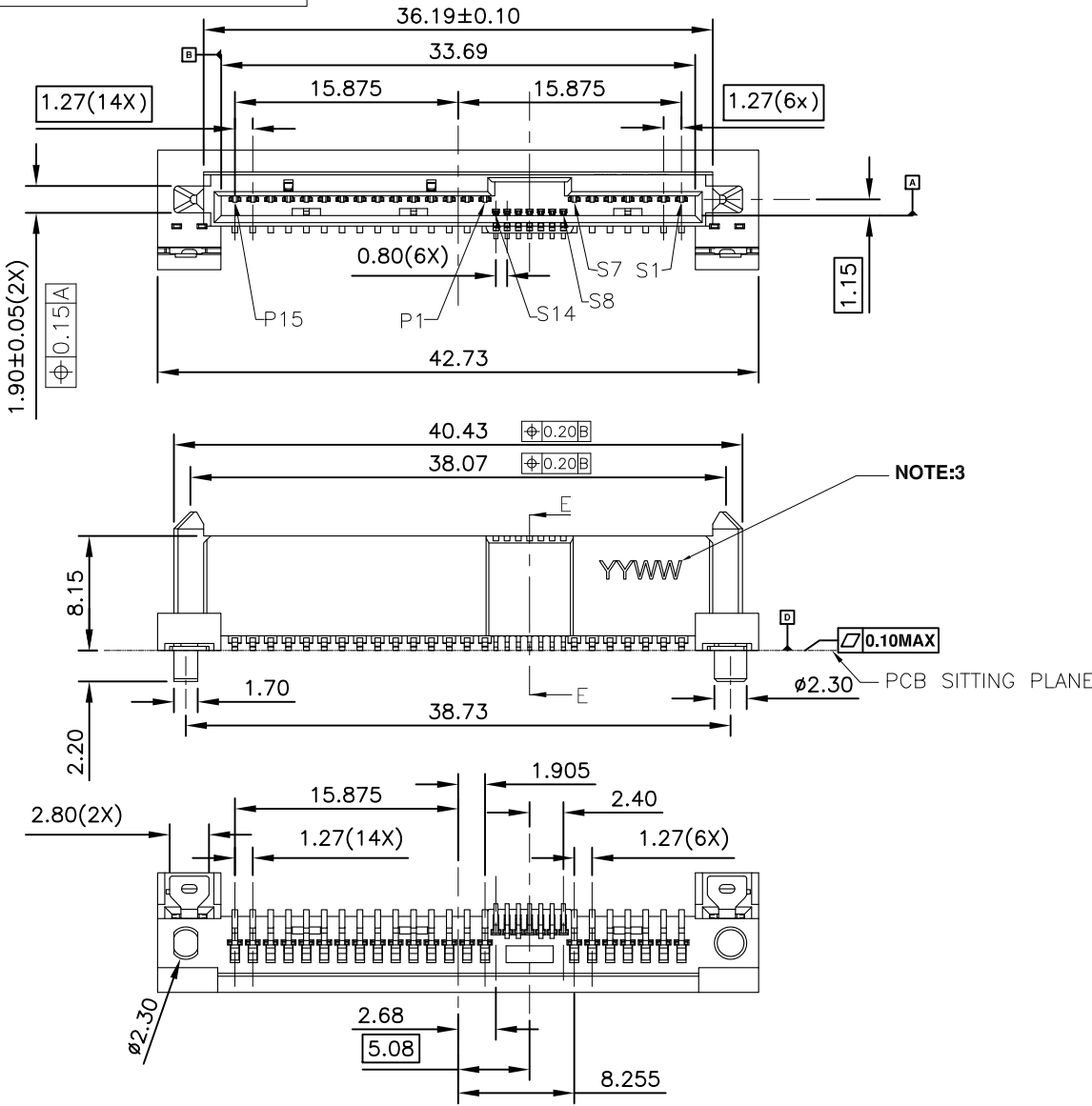


RoHS Compliant

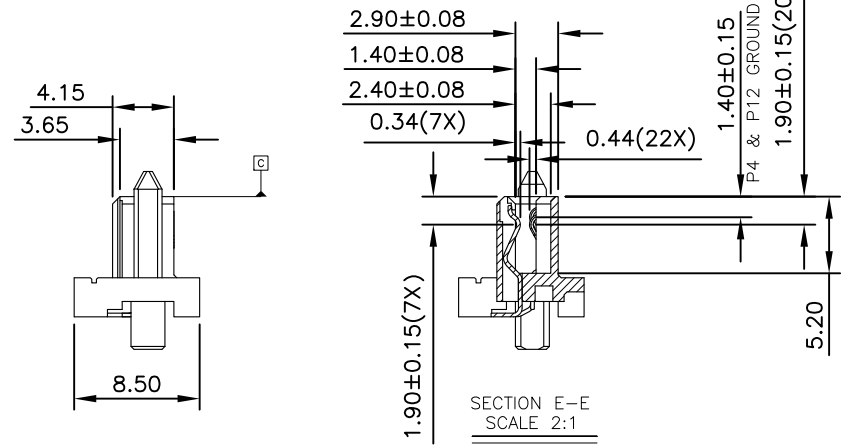
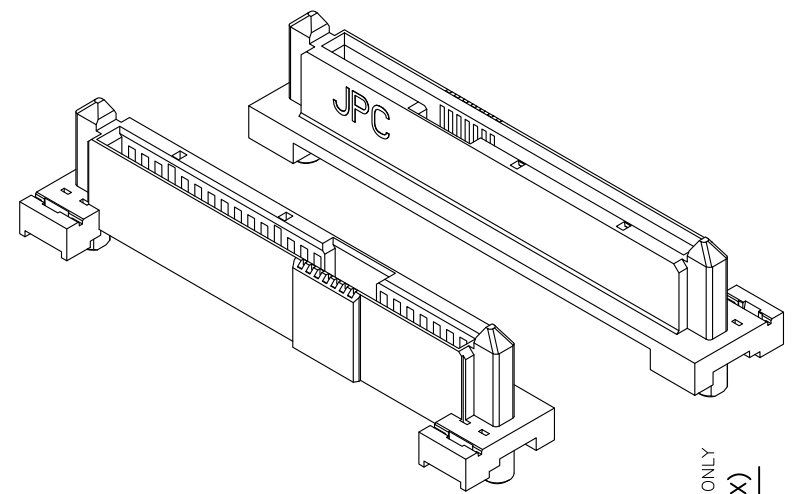
HSF

禁止使用1級環境管理物質

THIS DRAWING CONTAINS INFORMATION THAT IS PROPRIETARY TO JPC INCORPORATED AND SHOULD NOT BE USED WITHOUT WRITTEN REMISSION.

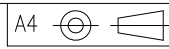


NOTE:3



ECN NO.	01	10/14/14	NEW DRAWING RELEASE	Feng	RICHARD
REV			DESCRIPTION	MDF'D	APP'D

JESS - LINK PRODUCTS CO., LTD.



ITEM	DESC.	MATERIAL	REMARKS	PART REMARKS
.x =±0.50	DRAWN		C TITLE: SFF 8680 SAS 29PIN CONNECTOR RECEPTACLE,VERTICA 1-SIDE,SMT (CUSTOMER DRAWING)	
.XX =±0.25	DESIGN			PART NO. P927E0293FOR-0
.XX =±0.15	CHECKED		PRODUCT NO. C14H0303A	
.XXX =±0.05	APPROVED		DRAWING NO. P927E0293FOR-0	
X'X =±1'			UNIT: mm SCALE:2:1	REV:01 SHT:1of2
X.XX* =±0.5'				

8 7 6 5 4 3 2 1



RoHS Compliant

HSF

禁止使用1級環境管理物質

NOTE:

1.MATERIAL:

HOUSING/CAP: HI-TEMP THERMOPLASTIC UL 94V-0 BLACK  
TERMINAL/SOLDER TAB: COPPER ALLOY

2.PLATING:

TERMINAL: 30u" MIN GOLD ON MATING AREA  
100u" MIN MATTE TIN ON SOLDER AREA  
50u" MIN NICKEL UNDERPLATE ALL OVER  
SOLDER TAB: 50u" MIN NICKEL UNDERPLATE ALL OVER  
100u" MIN MATTE TIN ALL OVER

3.DATE CODE: YYWW

YY=YEAR OF MANUFACTURE  
WW=WEEK OF MANUFACTURE

4.PACKAGE:TAPE & REEL

5.P/N:MARTAX

JPC P/N:P 9 2 7 E 0 29 3 F 0 R-0

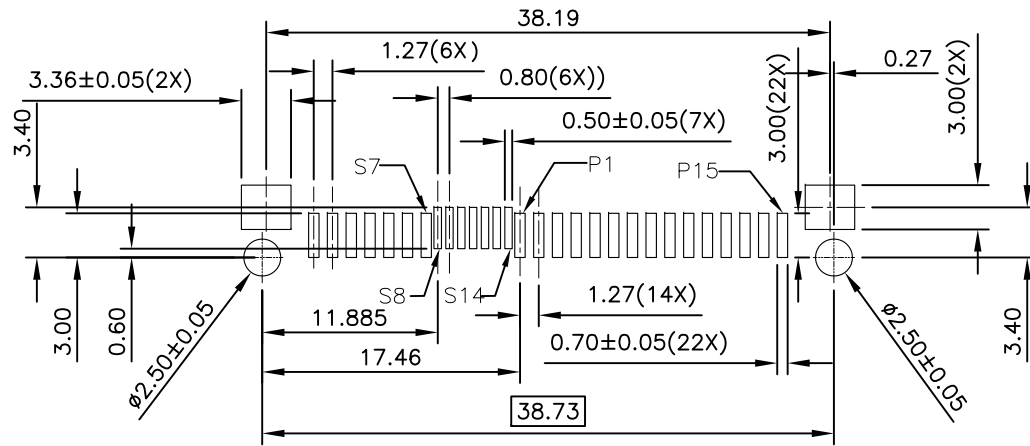
SFF 8680 RECEPTACLE  
VERTICAL SMT SERIES

POS:  
029: 29PIN

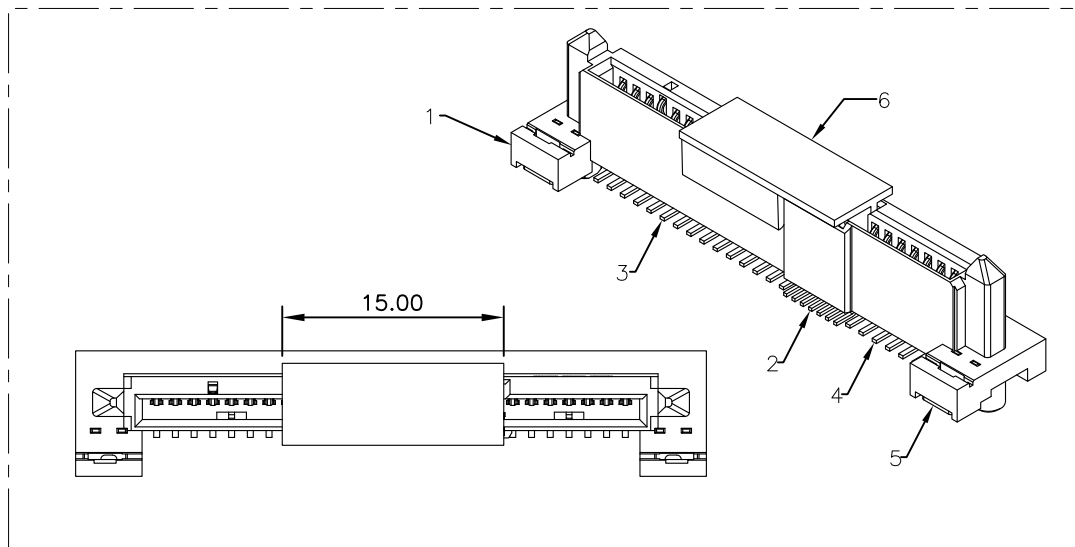
PACKAGE  
R: TAPE & REEL  
0: FOR MISTAKE  
NOT APPLICABLE  
F: SMT BLADE

CONNECTOR PLATING

2:MATING -15U" Au/TAI MATTE TIN  
3:MATING -30U" Au/TAI MATTE TIN



RECOMMENDED PCB LAYOUT  
(PCB THICKNESS: 1.60mm)



6	CAP	LCPE130i	BLACK	
5	DIP PIN	C2680-H	SOLDER AREA:MATTE Tin 100u" Min	
4	7PIN	C5210R-H	CONTACT AREA:Au 30u"Min; SOLDER AREA:MATTE Tin 100u" Min	
3	15PIN	C5210R-H	CONTACT AREA:Au 30u"Min; SOLDER AREA:MATTE Tin 100u" Min	
2	XIAO 7PIN	C5210R-H	CONTACT AREA:Au 30u"Min; SOLDER AREA:MATTE Tin 100u" Min	
1	HOUSING	LCP E130i	BLACK	
ITEM	DESC.	MATERIAL	REMARKS	PART REMARKS
.x	±0.50	DRAWN	C TITLE: SFF 8680 SAS 29PIN CONNECTOR RECEPTACLE,VERTICAL 1-SIDE,SMT (CUSTOMER DRAWING)	
.xx	±0.25	DESIGN		
.xxx	±0.15	CHECKED		PART NO. P927E0293FOR-0
X'X'	±0.05	APPROVED		PRODUCT NO. C14H0303A
X'X'	±1"		DRAWING NO. P927E0293FOR-0	
X.XX'	±0.5"		UNIT: mm SCALE:2:1 REV:01 SHT2of2	

JESS - LINK  
PRODUCTS CO., LTD.



ECN NO.	01	10/14/14"	NEW DRAWING RELEASE	Feng	RICHARD
REV			DESCRIPTION	MDF'D	APP'D

THIS DRAWING CONTAINS INFORMATION THAT IS PROPRIETARY TO JPC  
INCORPORATED AND SHOULD NOT BE USED WITHOUT WRITTEN REMISSION.