

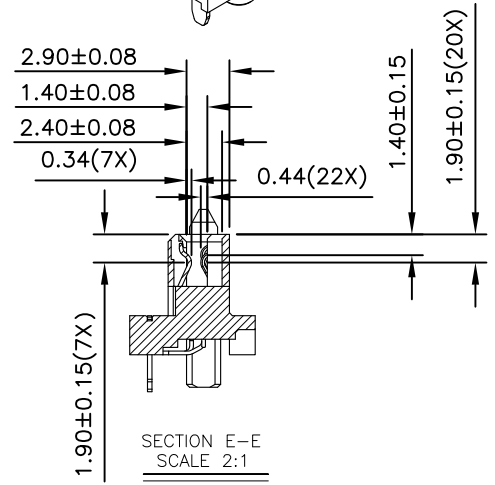
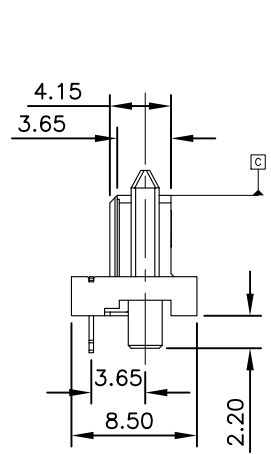
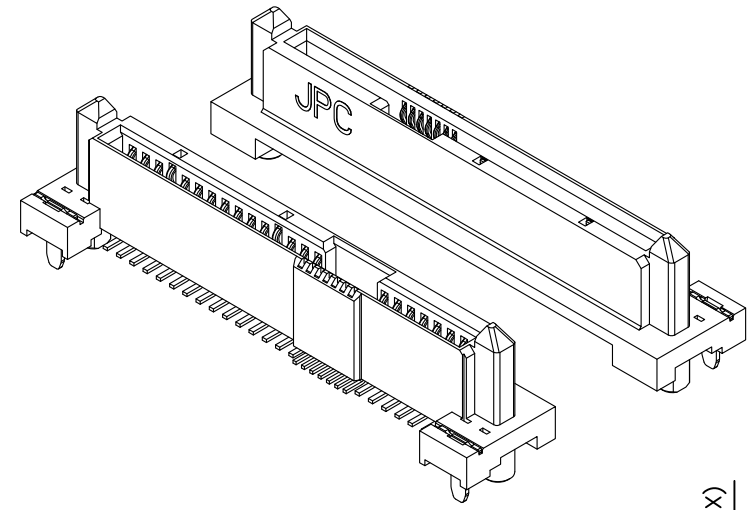
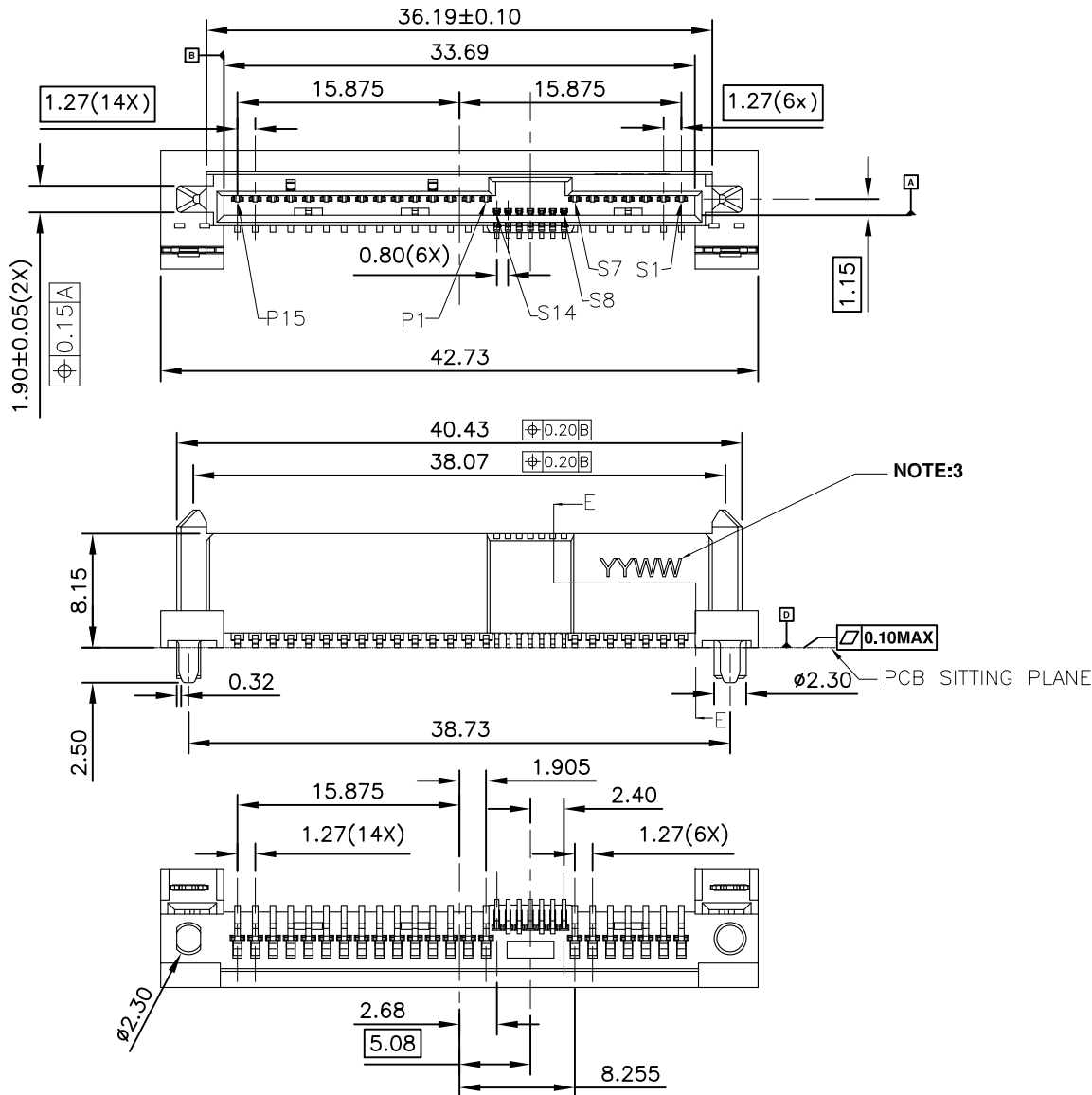


RoHS Compliant

HSF

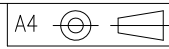
禁止使用1級環境管理物質

THIS DRAWING CONTAINS INFORMATION THAT IS PROPRIETARY TO JPC INCORPORATED AND SHOULD NOT BE USED WITHOUT WRITTEN REMISSION.



ECN NO.	01	11/11/14	NEW DRAWING RELEASE	Feng	RICHARD
REV			DESCRIPTION	MDF'D	APP'D

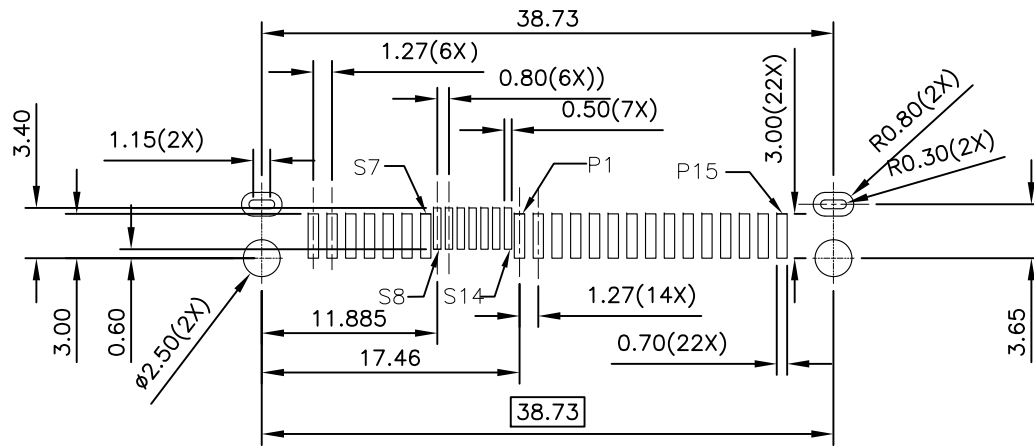
JESS - LINK PRODUCTS CO., LTD.



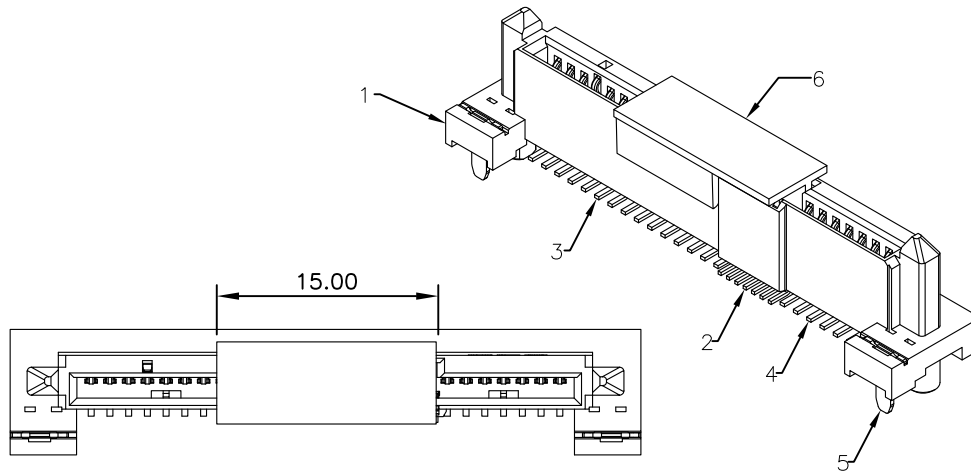
ITEM	DESC.	MATERIAL	REMARKS	PART REMARKS
.X =±0.50	DRAWN		C	TITLE: SFF 8680 SAS 29PIN CONNECTOR RECEPTACLE,VERTICA 1-SIDE,SMT (CUSTOMER DRAWING)
.XX =±0.25				
.XXX =±0.15	DESIGN			PART NO. P927E0293B1R-0
.XXX =±0.05	CHECKED			PRODUCT NO. C14H0303B
X.X =±1'				
X.XX =±0.5'	APPROVED			DRAWING NO. P927E0293B1R-0
TOLERANCES				UNIT: mm SCALE:2:1 REV:01 SHT:1of2

**RoHS Compliant HSF**

禁止使用1級環境管理物質



RECOMMENDED PCB LAYOUT  
(PCB THICKNESS: 1.60mm)



NOTE:

1.MATERIAL:

HOUSING/CAP: HI-TEMP THERMOPLASTIC UL 94V-0 BLACK  
TERMINAL/SOLDER TAB: COPPER ALLOY

2.PLATING:

TERMINAL: 30u" MIN GOLD ON MATING AREA  
100u" MIN MATTE TIN ON SOLDER AREA  
50u" MIN NICKEL UNDERPLATE ALL OVER  
SOLDER TAB: 50u" MIN NICKEL UNDERPLATE ALL OVER  
100u" MIN MATTE TIN ALL OVER

3.DATE CODE: YYWW

YY=YEAR OF MANUFACTURE  
WW=WEEK OF MANUFACTURE

4.PACKAGE: TAPE & REEL

5.P/N: MARTAX

JPC P/N: P 9 2 7 E 0 29 3 B 1 R-0

SFF 8680 RECEPTACLE  
VERTICAL SMT SERIES

POS:

029: 29PIN

PACKAGE  
R: TAPE & REEL

1: BLADE TAIL=2.50mm

B: BLADE

CONNECTOR PLATING

2:MATING -15U" Au/TAIL MATT TIN

3:MATING -30U" Au/TAIL MATT TIN

6	CAP	LCPE130i	BLACK	
5	DIP PIN	C2680-H	SOLDER AREA: MATTE Tin 100u" Min	
4	7PIN	C5210R-H	CONTACT AREA: Au 30u" Min; SOLDER AREA: MATTE Tin 100u" Min	
3	15PIN	C5210R-H	CONTACT AREA: Au 30u" Min; SOLDER AREA: MATTE Tin 100u" Min	
2	XIAO 7PIN	C5210R-H	CONTACT AREA: Au 30u" Min; SOLDER AREA: MATTE Tin 100u" Min	
1	HOUSING	LCP E130i	BLACK	

ITEM	DESC.	MATERIAL	REMARKS	PART REMARKS
.x	±0.50			
.xx	±0.25			
.xxx	±0.15			
X'X	±0.05			
X'X'	±1'			
X.XX'	±0.5'			
	DRAWN		C TITLE: SFF 8680 SAS 29PIN CONNECTOR RECEPTACLE, VERTICAL 1-SIDE, SMT (CUSTOMER DRAWING)	
	DESIGN			PART NO. P927E0293B1R-0
	CHECKED			PRODUCT NO. C14H0303B
	APPROVED			DRAWING NO. P927E0293B1R-0
TOLERANCES			UNIT: mm SCALE: 2:1	REV: 01 SHT 2 of 2

**JESS - LINK PRODUCTS CO., LTD.**



ECN NO.	01	11/11/14	NEW DRAWING RELEASE	Feng	RICHARD
REV			DESCRIPTION	MDF'D	APP'D

THIS DRAWING CONTAINS INFORMATION THAT IS PROPRIETARY TO JPC INCORPORATED AND SHOULD NOT BE USED WITHOUT WRITTEN REMISSION.