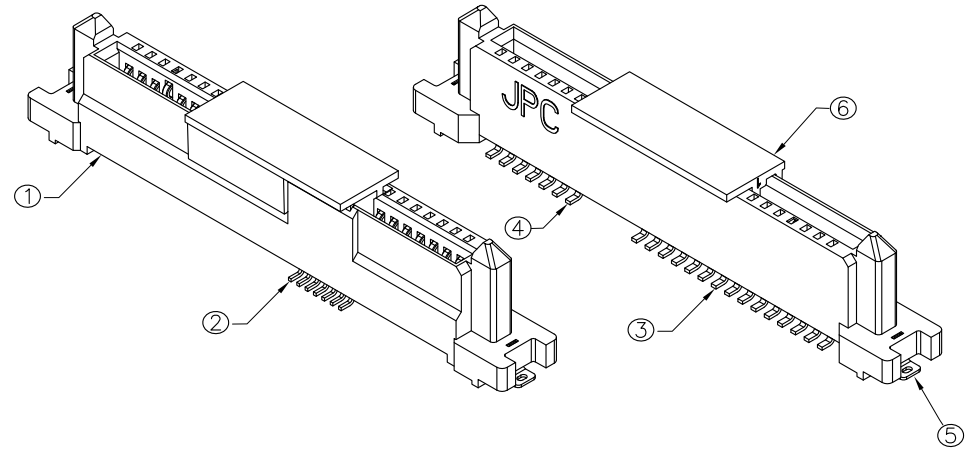
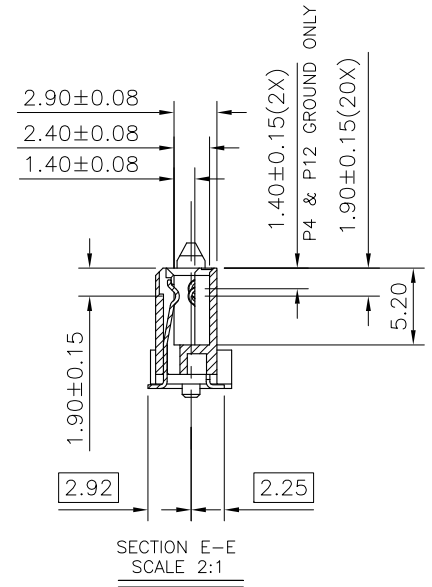
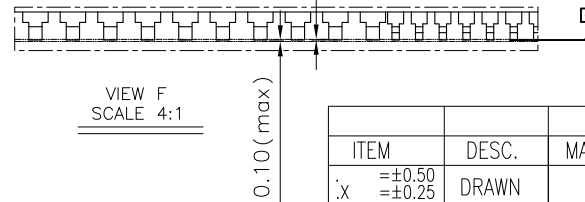
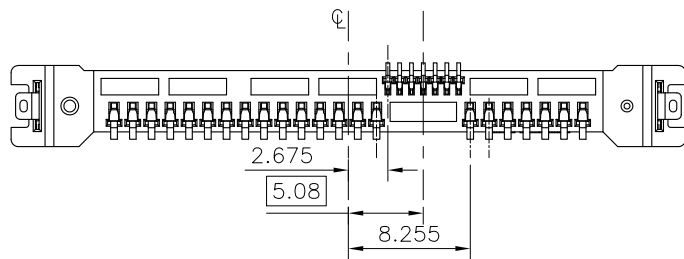
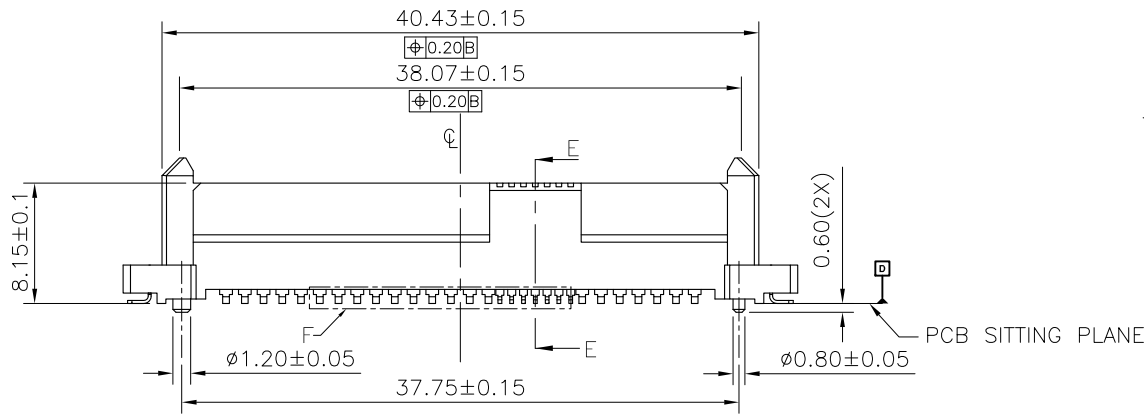
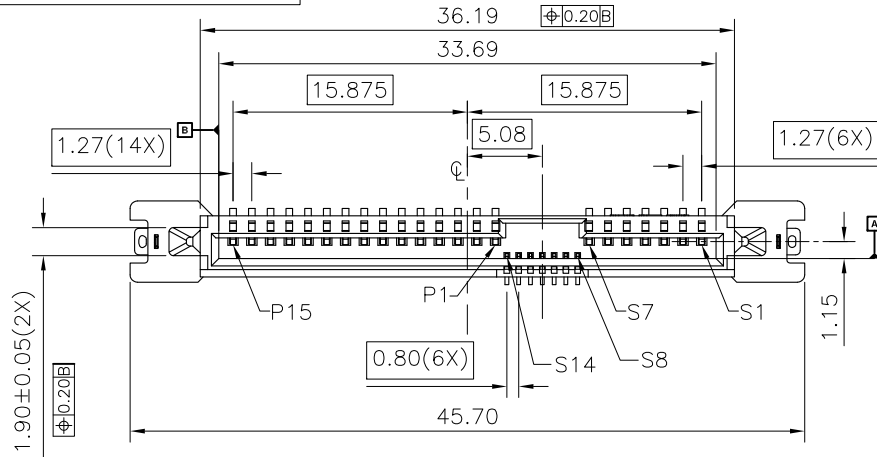




RoHS Compliant

HSF

禁止使用1級環境管理物質



THIS DRAWING CONTAINS INFORMATION THAT IS PROPRIETARY TO JPC INCORPORATED AND SHOULD NOT BE USED WITHOUT WRITTEN REMISSION.

JESS - LINK PRODUCTS CO., LTD.

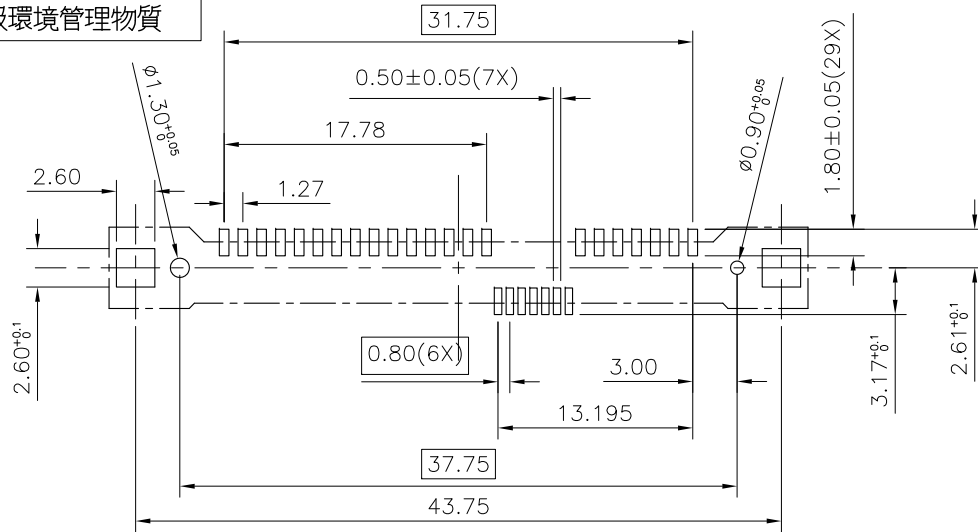


ITEM	DESC.	MATERIAL	REMARKS	PART REMARKS
.X =±0.50	DRAWN		C	SFF 8680 SAS 29PIN TITLE: SMT CONNECTOR (CUSTOMER DRAWING)
.XX =±0.25				
.XXX =±0.15	DESIGN			PART NO. P927A0293FOR-0
.XXX =±0.05				
X'X =±1'	CHECKED			PRODUCT NO. C14H0300A
X.XX* =±0.5'				
TOLERANCES	APPROVED			DRAWING NO. P927A0293FOR-0
			UNIT: mm SCALE: 2:1 REV: 01 SHT: 1 of 2	

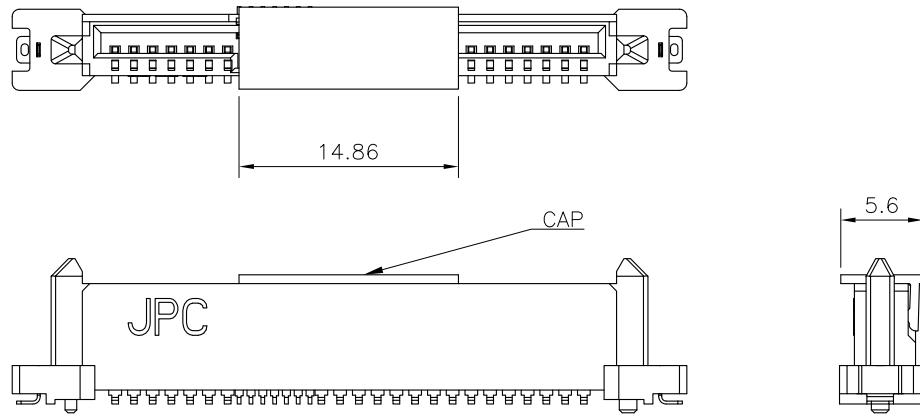
ECN NO.	REV	DATE	DESCRIPTION	MDF'D	APP'D
	01	05/21/14			

RoHS Compliant HSF

禁止使用1級環境管理物質



RECOMMENDED PCB LAYOUT
(PCB THICKNESS: 1.60mm)



NOTE:
 1.MATERIAL:
 HOUSING/CAP: HI-TEMP THERMOPLASTIC UL 94V-0 BLACK
 TERMINAL/SOLDER TAB:COPPER ALLOY
 2.PLATING:
 TERMINAL:30u" MIN GOLD ON MATING AREA
 100u" MIN MATTE TIN ON SOLDER AREA
 50u" MIN NICKEL UNDERPLATE ALL OVER
 SOLDER TAB:50u" MIN NICKEL UNDERPLATE ALL OVER
 100u" MIN MATTE TIN ALL OVER
 3.DATE CODE: YYWW
 YY=YEAR OF MANUFACTURE
 WW=WEEK OF MANUFACTURE
 4.PACKAGE:TAPE & REEL
 JPC P/N:P 9 2 7 A 0 29 3 F 0 R-0
 SFF 8680 RECEPTACLE VERTICAL SMT SERIES
 POS: 029: 29PIN
 PACKAGE R: TAPE & REEL
 0: FOR MST BLADE NOT APPLICABLE
 F: SMT BLADE
 CONNECTOR PLATING
 2:MATING -15U" Au/TAIL MATT TIN
 3:MATING -30U" Au/TAIL MATT TIN

6	CAP	LCPE130i	BLACK	
5	DIP PIN	C2680-H	SOLDER AREA:MATTE Tin 100u" Min	
4	7PIN	C5210R-H	CONTACT AREA:Au 30u"Min; SOLDER AREA:MATTE Tin 100u" Min	
3	15PIN	C5210R-H	CONTACT AREA:Au 30u"Min; SOLDER AREA:MATTE Tin 100u" Min	
2	XIAO 7PIN	C5210R-H	CONTACT AREA:Au 30u"Min; SOLDER AREA:MATTE Tin 100u" Min	
1	HOUSING	LCP E471i	BLACK	
ITEM	DESC.	MATERIAL	REMARKS	PART REMARKS
.x =±0.50 .xx =±0.25 .xxx =±0.15 X'X =±0.05 X'X' =±1' X.XX' =±0.5'	DRAWN		SFF 8680 SAS 29PIN TITLE: SMT CONNECTOR (CUSTOMER DRAWING)	
	DESIGN		PART NO.	P927A0293FOR-0
	CHECKED		PRODUCT NO.	C14H0300A
TOLERANCES	APPROVED		DRAWING NO.	P927A0293FOR-0
			UNIT: mm SCALE:2:1	REV:01 SHT2of2

JESS - LINK PRODUCTS CO., LTD.

ECN NO.	REV	DATE	DESCRIPTION	MDF'D	APP'D
	01	05/21/14	NEW DRAWING RELEASE	Feng	RICHARD

THIS DRAWING CONTAINS INFORMATION THAT IS PROPRIETARY TO JPC INCORPORATED AND SHOULD NOT BE USED WITHOUT WRITTEN REMISSION.

D

D

C

B

A

8 7 6 5 4 3 2 1