

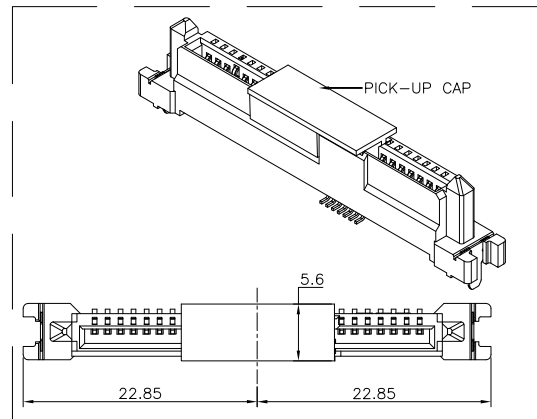
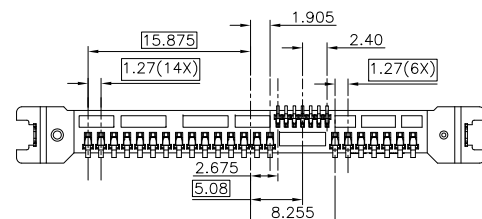
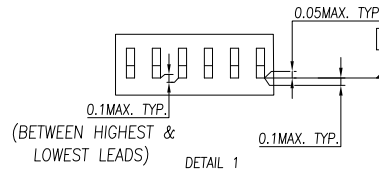
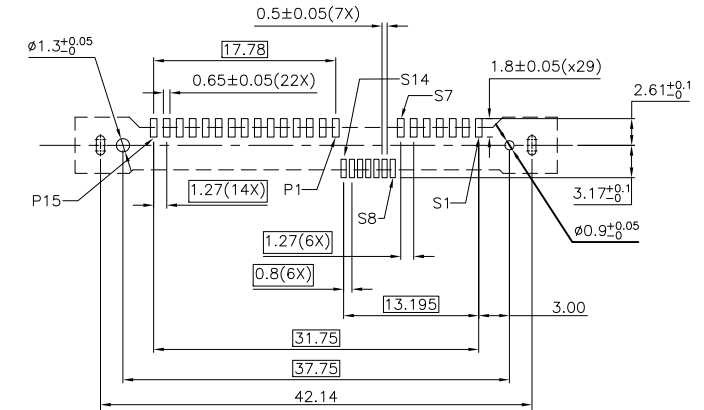
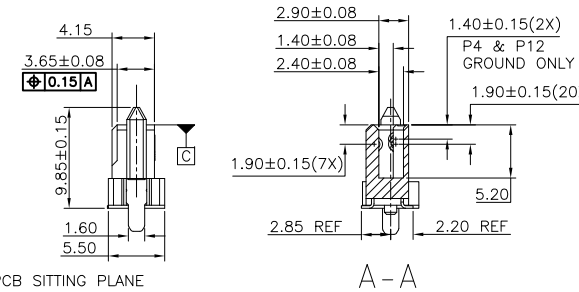
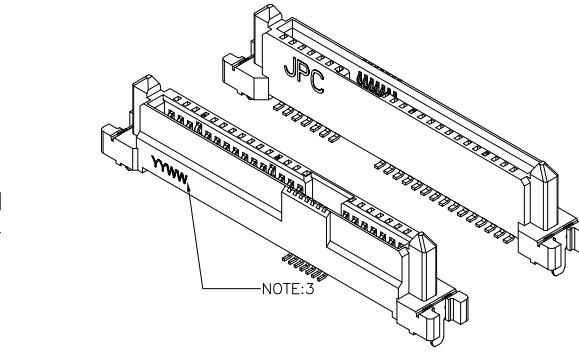
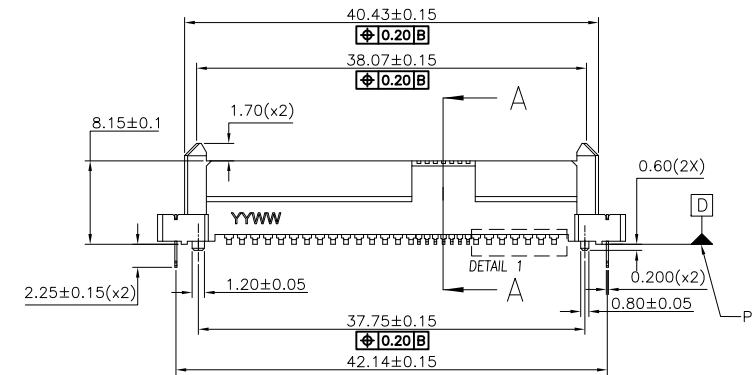
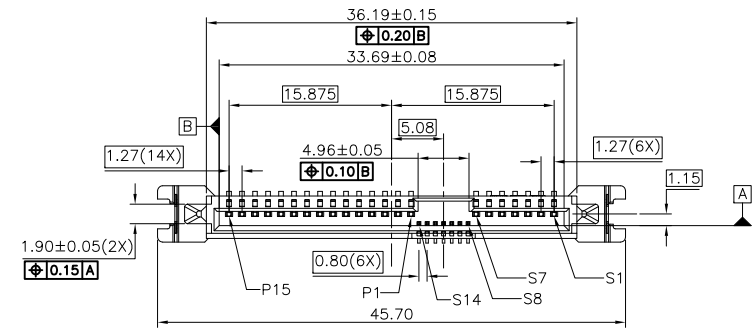


禁止使用1級環境管理物質

- NOTE:
- MATERIAL:
HOUSING/CAP: HI-TEMP THERMOPLASTIC UL 94V-0 BLACK
TERMINAL/BLADE: COPPER ALLOY
 - PLATING:
TERMINAL: 30u" MIN GOLD ON MATING AREA
100u" MIN MATTE TIN ON SOLDER AREA
50u" MIN NICKEL UNDERPLATE ALL OVER
BLADE: 50u" MIN NICKEL UNDERPLATE OVER
100u" MIN MATTE TIN ALL OVER
 - DATE CODE: YYWW
YY=YEAR OF MANUFACTURE
WW=WEEK OF MANUFACTURE
 - PACKAGE: TAPE & REEL
 - P/N: MARTAX:
JPC P/N: P 9 2 7 A 0 2 9 3 B 0 R - 0

SFF 8680 RECEPTACLE
VERTICAL BOTH SIDE SMT SERIES
POS: 029: 29PIN
PACKAGE & REEL
R : TAPE & REEL
T : TRAY & WITH CAP
N : TRAY & WITHOUT CAP
0: BLADE TAIL = 2.25mm
B: BLADE

CONNECTOR PLATING
2: MATING -15u" Au / TAIL MATT TIN
3: MATING -30u" Au / TAIL MATT TIN



ITEM	DESC.	MATERIAL	REMARKS	PART REMARKS
.X =±0.50 .XX =±0.25 .XXX =±0.15 X.X =±0.05 X.X' =±1' X.XX' =±0.5'	DRAWN		SFF 8680 SAS 29PIN CONNECTOR TITLE: (RECEPTACLE,VERTICAL,SMT w/ BLADE TAIL) -(CUSTOMER DRAWING)	
	DESIGN			PART NO. P927A0293BOR-0
	CHECKED			PRODUCT NO. C15H0300B
	APPROVED			DRAWING NO. P927A0293BOR-0
TOLERANCES			UNIT: mm SCALE:2:1	REV:01 SHT:1of1

JESS - LINK
PRODUCTS CO., LTD.

ECN NO.	REV	DATE	DESCRIPTION	MDF'D	APP'D
	01	09/22/15	NEW DRAWING RELEASE	FENG	RICHARD

THIS DRAWING CONTAINS INFORMATION THAT IS PROPRIETARY TO JPC INCORPORATED AND SHOULD NOT BE USED WITHOUT WRITTEN REMISSION.

D

A

D

C

B

A

8 7 6 5 4 3 2 1

8 7 6 5 4 3 2 1