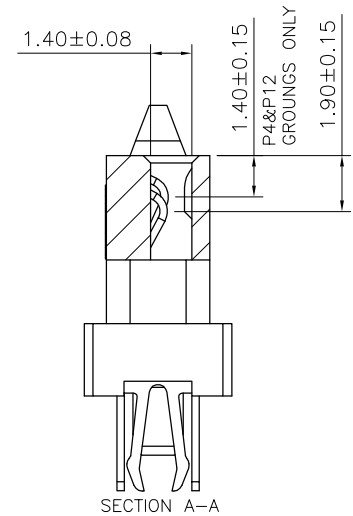
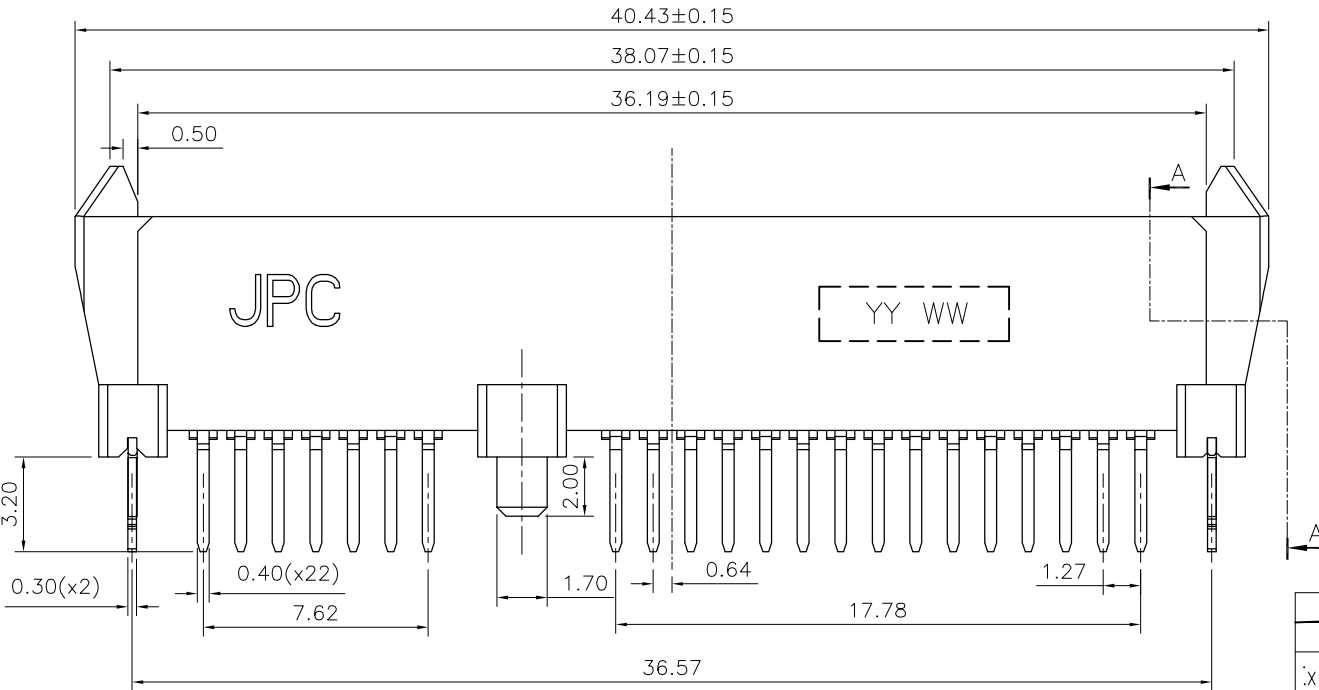
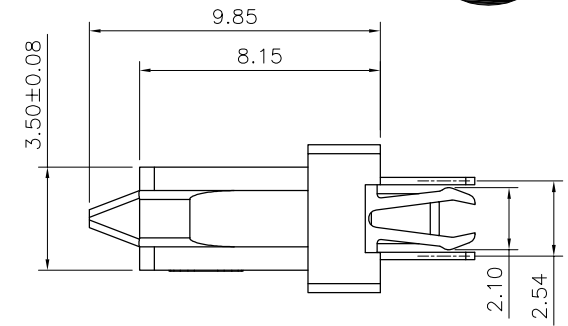
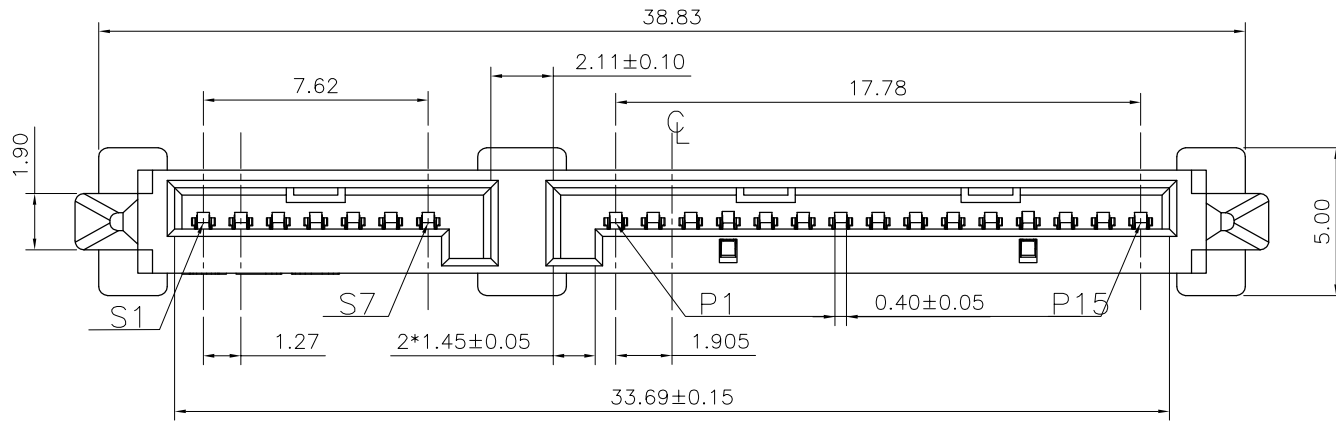



RoHS Compliant **HSF**

禁止使用1級環境管理物質

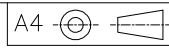


THIS DRAWING CONTAINS INFORMATION THAT IS PROPRIETARY TO JPC INCORPORATED AND SHOULD NOT BE USED WITHOUT WRITTEN REMISSION.



ECN NO.	01	06/25-15"	NEW RELEASE	Zhao	RICHARD
REV			DESCRIPTION	MDF'D	APP'D

JESS - LINK PRODUCTS CO., LTD.



ITEM	DESC.	MATERIAL	REMARKS	PART REMARKS
.x =±0.50	DRAWN		C	TITLE: SATA 22P VERTICAL CONN. (CUSTOMER DRAWING)
=±0.25				
.xx =±0.15	DESIGN			PART NO. P912D0224*1T-0
.xxx =±0.05				
'XX =±1'	CHECKED			PRODUCT NO. C15N0155C
'X.XX' =±0.5'				
TOLERANCES	APPROVED			DRAWING NO. P912D022421T-0
UNIT: mm SCALE: 4:1 REV: 01 SHT: 1of2				

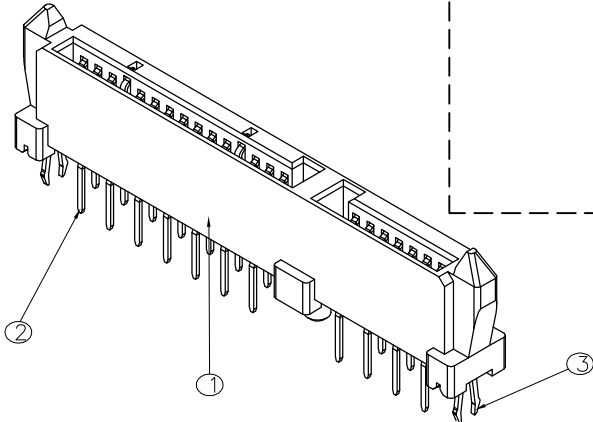
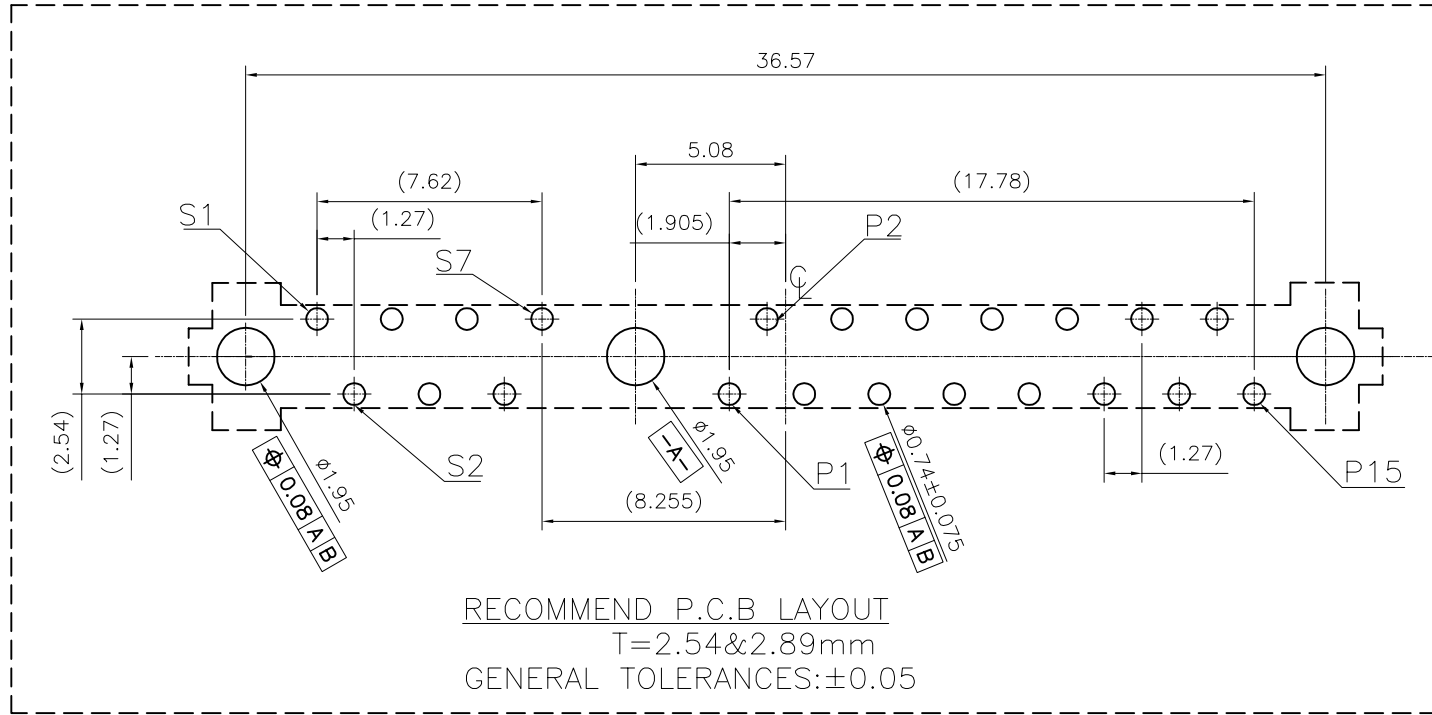
8 7 6 5 4 3 2 1



RoHS Compliant

HSF

禁止使用1級環境管理物質



NOTE(2):

NOTE(1):

- MATERIAL:
HOUSING: HI-TEMP THERMOPLASTIC UL 94V-0 BLACK
TERMINAL: COPPER ALLOY
FORKLOCK: BRASS
- PLATING: SEE NOTE(2)
- PACKAGE: TARY

PLATING	PART NO.	LABEL NO.
15u" Au	P912D022421T-0	P912D022421T-0 (FOR US0070/US0080)
		P912D022421T-1 (FOR US0090/TW0117)
		P912D022421T-2 (FOR US0070/US0080)
30u" Au	P912D022431T-0	P912D022431T-0 (FOR US0070/US0080)
		P912D022431T-1 (FOR US0090/TW0117)
		P912D022431T-2 (FOR US0015/TW0131)

ITEM	DESC.	MATERIAL	REMARKS	PART REMARKS
3	FORKLOCK	BRASS		
2	TERMINAL	Copper Alloy		
1	HOUSING	High temperature thermoplastic		
	DRAWN		C	TITLE: SATA 22P VERTICAL CONN. (CUSTOMER DRAWING)
	DESIGN		PART NO.	P912D0224*1T-0
	CHECKED		PRODUCT NO.	C15N0155C
	APPROVED		DRAWING NO.	P912D022421T-0
TOLERANCES: APPROVED UNIT: mm SCALE: 4:1 REV: 01 SHT: 2of2				

JESS - LINK PRODUCTS CO., LTD.



ECN NO.	REV	DATE	DESCRIPTION	MDF'D	APP'D
	01	06/25-15"	NEW RELEASE	Zhao	RICHARD

THIS DRAWING CONTAINS INFORMATION THAT IS PROPRIETARY TO JPC INCORPORATED AND SHOULD NOT BE USED WITHOUT WRITTEN REMISSION.