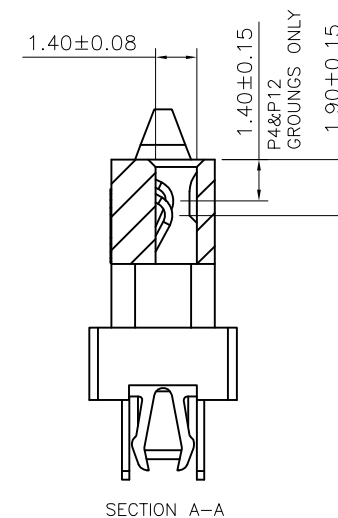
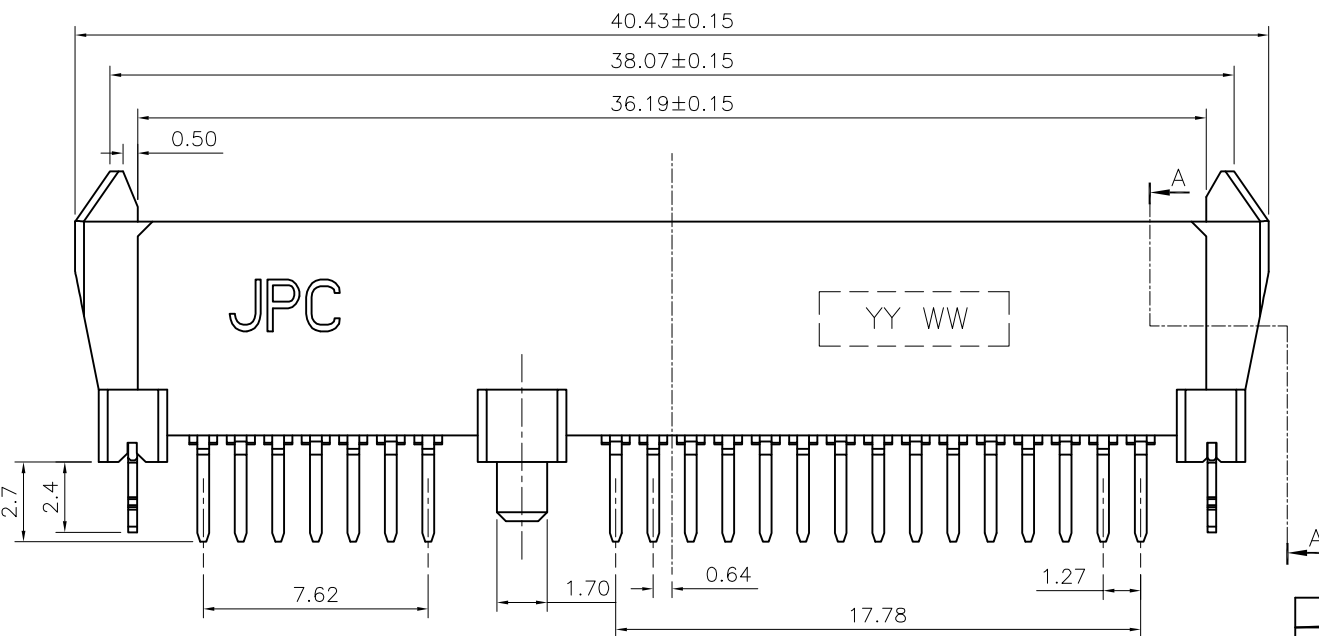
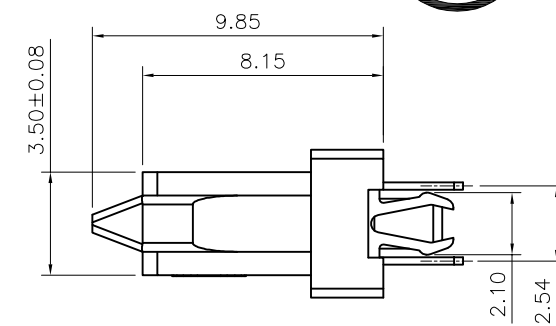
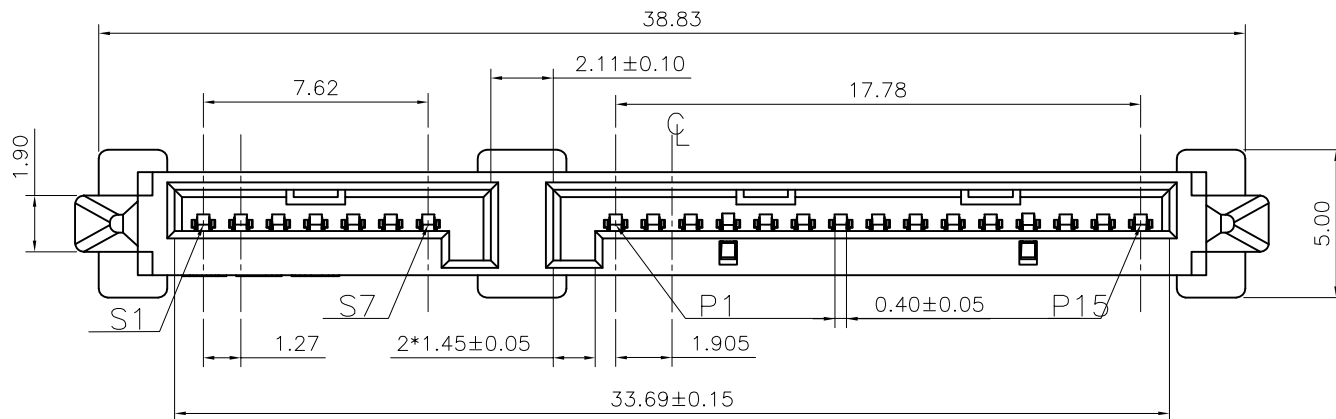



**RoHS Compliant**  
 2002/95/EC

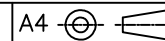
**HSF**

禁止使用1級環境管理物質



ITEM	DESC.	MATERIAL	REMARKS	PART REMARKS
.X =±0.38	DRAWN		C TITLE: SATA 22P VERTICAL CONN. (CUSTOMER DRAWING)	A
.XX =±0.25	DESIGN			
.XXX =±0.10	CHECKED			
ANGLE =±2'	APPROVED			
TOLERANCES			PART NO.	P912A0224*1T-0
			PRODUCT NO.	C13N0155A
			DRAWING NO.	P912A022431T-0
			UNIT: mm SCALE: 4:1	REV: A1 SHT: 1of2

**JESS - LINK PRODUCTS CO., LTD.**



ECN NO.	REV	DATE	DESCRIPTION	MDF'D	APP'D
	A1	03/24-15"	NEW RELEASE	Zhao	RICHARD

THIS PART SHOULD NOT CONTAIN ANY SUBSTANCES WHICH ARE SPECIFIED IN SS-00259-01. PURCHASE RECYCLED RESINS AND WIRE RODS ONLY FROM SOME QUALIFIED VENDORS.