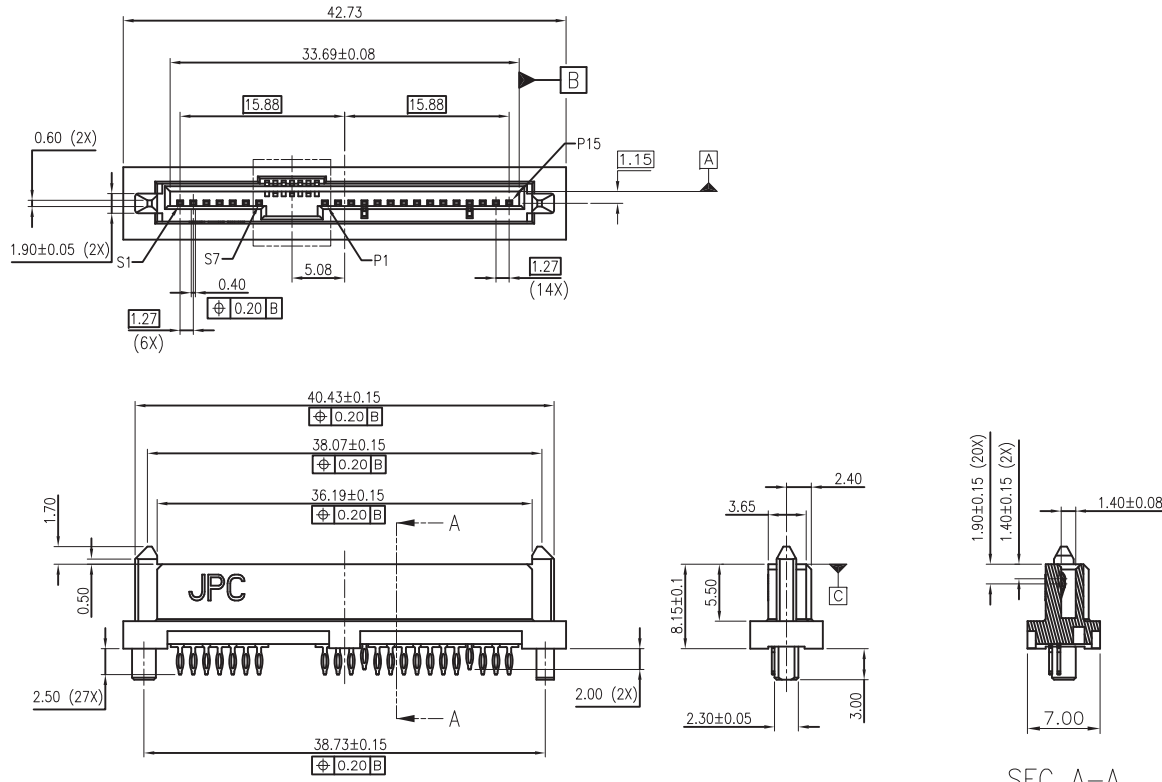


THIS DRAWING AND THE DATA DISCLOSED HEREIN OR HEREWITH IS NOT TO BE REPRODUCED USED OR DISCLOSED IN WHOLE OR IN PART TO ANYONE WITHOUT THE PERMISSION OF JESS-LINK PRODUCTS CO.,LTD.

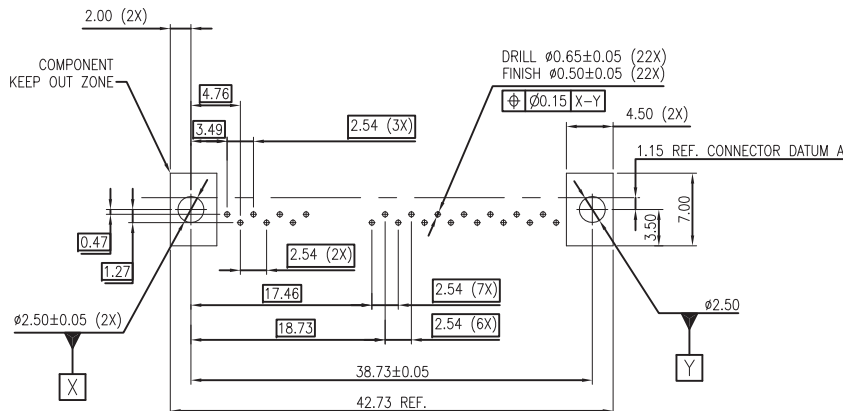
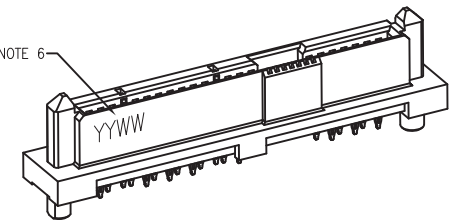
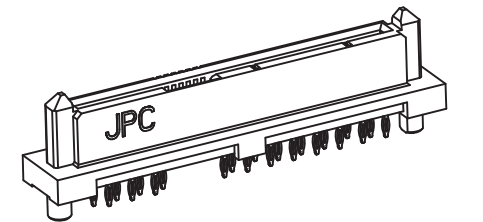
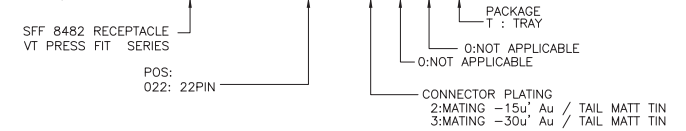
CUSTOMER DRAWING

REV.	DESCRIPTION	MDF'D	APP'D	DATE
01	INITIAL DESIGN	Brown	Matsu	10/28/2014
02				
03				



NOTE:

- MATERIAL:
HOUSING/CAP:
HI-TEMP THERMOPLASTIC UL 94V-0 BLACK
TERMINAL : COPPER ALLOY
- PLATING:
TERMINAL: 30u" MIN GOLD ON MATING AREA
100u" MIN MATTE TIN ON SOLDER AREA
50u" MIN NICKEL UNDERPLATE ALL OVER
- DATE CODE: YYWW
YY=YEAR OF MANUFACTURE
WW=WEEK OF MANUFACTURE
- PACKAGE: TRAY
- P/N:MARTAX:
JPC P/N: P 9 0 9 A 0 2 2 3 0 0 T- 0



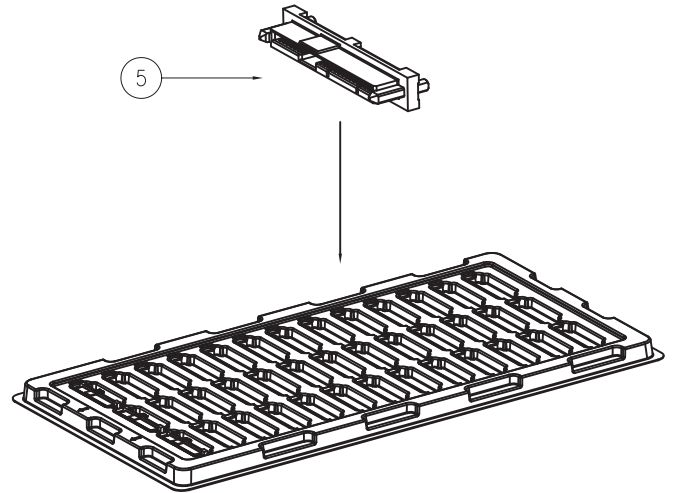
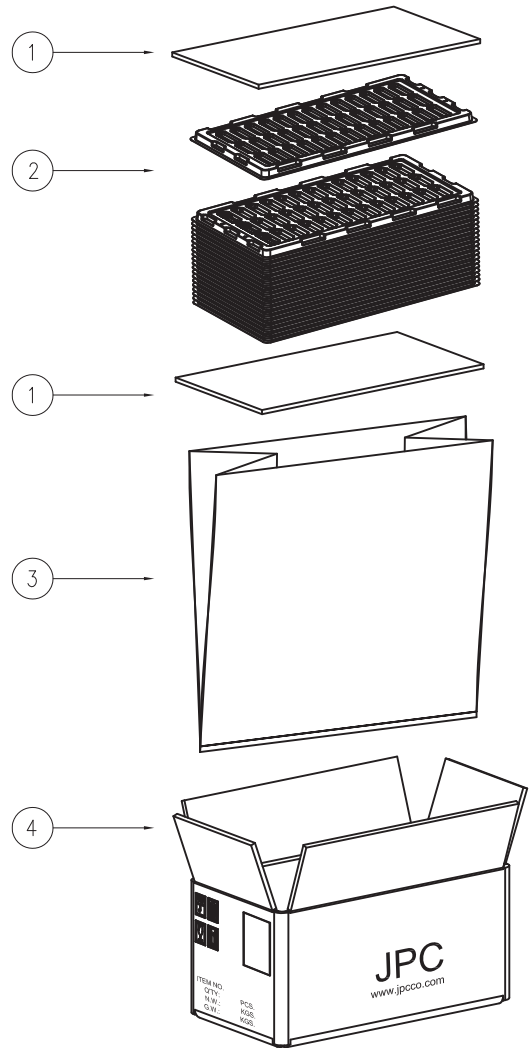
RECOMMENDED PCB LAYOUT

ROHS COMPLIANT HALOGEN FREE	Unit : mm	PROJECTION	JESS-LINK PRODUCTS CO.,LTD.		
	GENERAL TOLERANCES: (UNLESS SPECIFIED)		D.R.	TITLE	
	0 = ± 0.45 0.0 = ± 0.30 0.00 = ± 0.20 0.000 = ± 0.10 0' = $\pm 2'$ 0.0' = $\pm 1'$	Brown	10/28/2014	SFF 8482 22PIN PRESS FIT CONNECTOR	PRODUCT NO. OR LAYOUT
		CH.K	10/28/2014	James	REV. 01
	APV.D	10/28/2014	Matsu	SCALE SIZE PART NO. REV. 01	
				2:1 A3 P909A022300T-0 SH.T NO.1 OF 2	

THIS DRAWING AND THE DATA DISCLOSED HEREIN OR HEREWITH IS NOT TO BE REPRODUCED USED OR DISCLOSED IN WHOLE OR IN PART TO ANYONE WITHOUT THE PERMISSION OF JESS-LINK PRODUCTS CO.,LTD.

CUSTOMER DRAWING

REV.	DESCRIPTION	MDF'D	APP'D	DATE
01	INITIAL DESIGN	Brown	Matsu	10/28/2014
02				
03				



ITEM	DESCRIPTION	Q'TY
9		
8		
7		
6		
5	SAS 22PIN (PRESS FIT TYPE)	897
4	MASTER CARTON, 400x215x190 mm	1
3	WATERPROOF PE BAG, 415x450 mm T=0.05 mm	1
2	TRAY,378.6x197x12 mm	24
1	PAPER PAD, 325X325X5mm	2

ROHS COMPLIANT
HALOGEN FREE

Unit : mm
GENERAL TOLERANCES: (UNLESS SPECIFIED)
0 = ±.45
0.0 = ±.30
0.00 = ±.20
0° = ±.10
0° = ±.2°
0.0° = ±.1°

PROJECTION	
D.R.	10/28/2014
Brown	
CH.K	10/28/2014
James	
APV.D	10/28/2014
Matsu	

JESS-LINK PRODUCTS CO.,LTD.			
TITLE		SFF 8482 22PIN PRESS FIT CONNECTOR	
D.R.		10/28/2014	
CH.K		10/28/2014	
APV.D		10/28/2014	
SCALE	SIZE	PART NO.	REV.
2:1	A3	P909A022300T-0	01
PRODUCT NO. OR LAYOUT			SH,T NO.2 OF 2