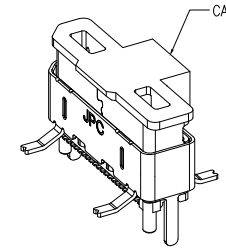
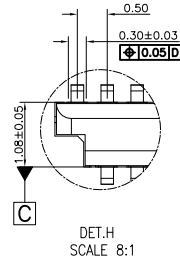
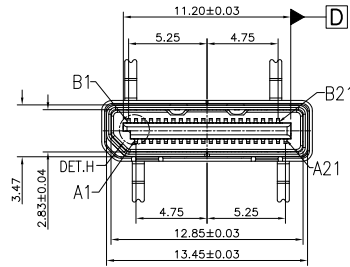


THIS DRAWING AND THE DATA DISCLOSED HEREIN OR HEREWITH IS NOT TO BE REPRODUCED USED OR DISCLOSED IN WHOLE OR IN PART TO ANYONE WITHOUT THE PERMISSION OF JESS-LINK PRODUCTS CO.,LTD.

CUSTOMER DRAWING

REV.	DESCRIPTION	MDF'D	APP'D	DATE
A1	INITIAL DESIGN	Colin	Ray	08/14/2017
A2	MODIFY PIN LENGTH	Colin	Ray	11/03/2017



NOTE:
 1.MATERIAL:
 HOUSING/ACP: HI-TEMP THERMOPLASTIC UL 94V-0 BLACK
 TERMINAL: COPPER ALLOY
 SHELL: STAINLESS STEEL

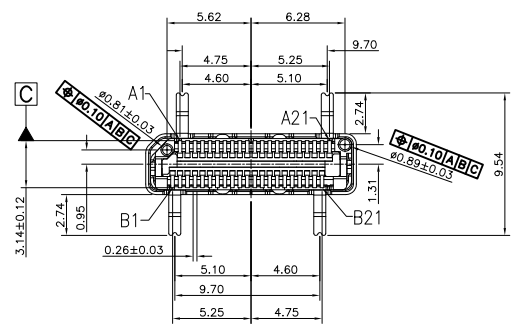
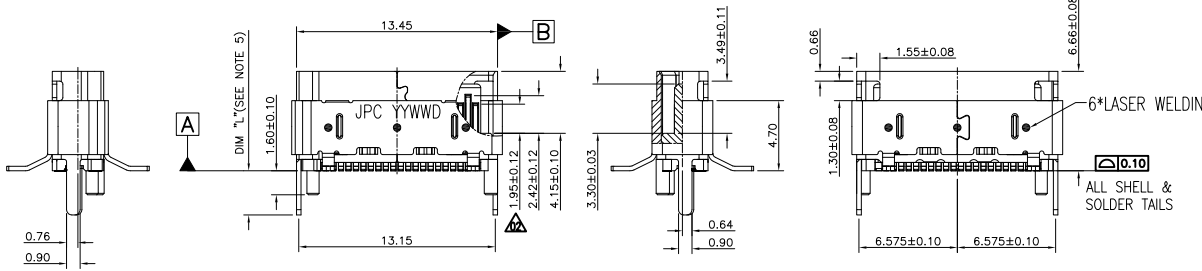
2.PLATING:
 TERMINAL:CONTACT & SOLDER AREA SEE JPC P/N MATRIX
 30u" MIN. NICKEL UNDERPLATE ALL OVER
 SHELL & OUTER SHELL: 30u" MIN. NICKEL PLATED ALL OVER

3.DATE CODE: YYWW
 YY=THE LAST 2 DIGITS OF THE YEAR
 WW=WEEK OF MANUFACTURE
 D=DAY FOR WEEK

4.PACKAGE SPEC : SOP-PK-P931C042-D
 5.JPC P/N MATRIX: P 9 3 1 C 0 4 2 * * B R - 0

PCle OCulink RECEPTACLE
 85 Ohm VERTICAL SMT SERIES
 SHELL ATTACH
 C: 4 SMT PAD
 POS
 042: 42POS
 PACKAGE
 R: TAPE & REEL W/Pitch 12mm
 OTHER
 OPTIONAL:
 B: W/ CAP BLACK

PLATING
 2: MATING -15u" Au & G/F SOLDER AREA
 3: MATING -30u" Au & G/F SOLDER AREA
 TAIL LENGTH=DIM "L"
 1: DIP, L=3.0mm(For PCB:2.4-2.8mm)
 2: DIP, L=2.1mm(For PCB:1.5-1.9mm)
 3: DIP, L=3.7mm(For PCB:3.1-3.5mm)

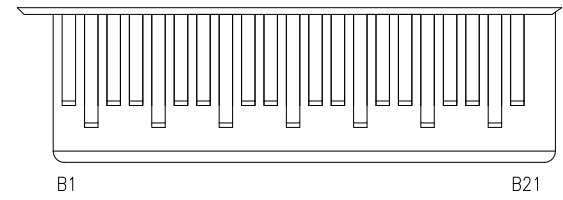
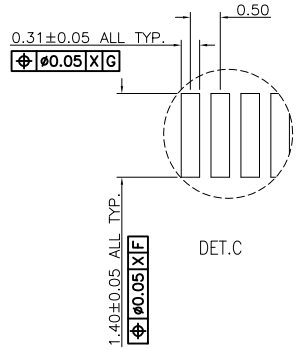


RoHS COMPLIANT	HALOGEN FREE	Unit : mm	PROJECTION		JPC JESS-LINK PRODUCTS CO., LTD.		
		GENERAL TOLERANCES: (UNLESS SPECIFIED)	D.R. 11/03/2017 Colin				TITLE PCle OCulink X4 CONN. (85 Ohm, REC. V/T, SMT, H=6.66mm)
		0 = ±.30 0.0 = ±.20 0.00 = ±.10 0.000 = ±.05 0" = ±.1" 0.0" = ±.50"	CH.K 11/03/2017 Andrew	SCALE 2:1	SIZE A4	DWG NO. SD-P931C042-D	
			APV.D 11/03/2017 Ray				SHEET 1 OF 2

THIS DRAWING AND THE DATA DISCLOSED HEREIN OR HEREWITH IS NOT TO BE REPRODUCED USED OR DISCLOSED IN WHOLE OR IN PART TO ANYONE WITHOUT THE PERMISSION OF JESS-LINK PRODUCTS CO.,LTD.

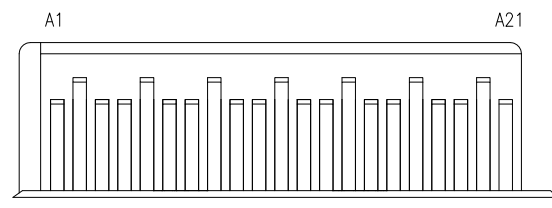
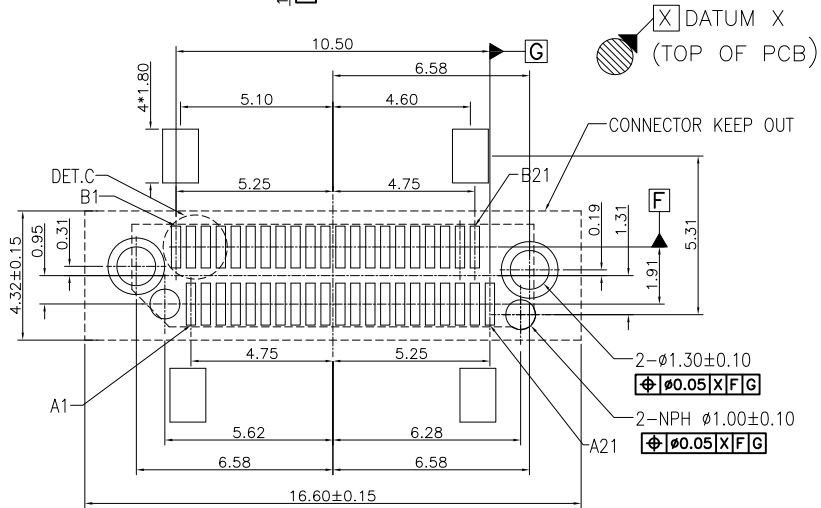
CUSTOMER DRAWING

REV.	DESCRIPTION	MDF'D	APP'D	DATE
A1	INITIAL DESIGN	Colin	Ray	08/14/2017
A2	MODIFY PIN LENGTH	Colin	Ray	11/03/2017



42 CIRCUITS TOP SIDE MATING LEVEL

PIN NO.	MATING LEVEL	PIN NO.	MATING LEVEL
A1	2nd	B1	2nd
A2	1nd	B2	1nd
A3	2nd	B3	2nd
A4	2nd	B4	2nd
A5	1nd	B5	1nd
A6	2nd	B6	2nd
A7	2nd	B7	2nd
A8	1nd	B8	1nd
A9	2nd	B9	2nd
A10	2nd	B10	2nd
A11	1nd	B11	1nd
A12	2nd	B12	2nd
A13	2nd	B13	2nd
A14	1nd	B14	1nd
A15	2nd	B15	2nd
A16	2nd	B16	2nd
A17	1nd	B17	1nd
A18	2nd	B18	2nd
A19	2nd	B19	2nd
A20	1nd	B20	1nd
A21	2nd	B21	2nd



42 CIRCUITS BOTTOM SIDE MATING LEVEL

RECOMMENDED PCB LAYOUT

RoHS COMPLIANT	HALOGEN FREE	Unit : mm	PROJECTION 		JPC JESS-LINK PRODUCTS CO., LTD.								
		GENERAL TOLERANCES: (UNLESS SPECIFIED)	D.R.	11/03/2017			TITLE	PCle OCulink X4 CONN. (85 Ohm, REC. V/T, SMT, H=6.66mm)	PRODUCT NO. /LAYOUT	C15H0320C			
		0 = ±.30 0.0 = ±.20 0.00 = ±.10 0.000 = ±.05 0° = ± 1° 0.0° = ±.50°	CH.K	11/03/2017	Andrew	SCALE	N/A	SIZE	A4	DWG NO.	SD-P931C042-D	REV.	A2
			APV.D	11/03/2017	Ray							SHEET 2 OF 2	