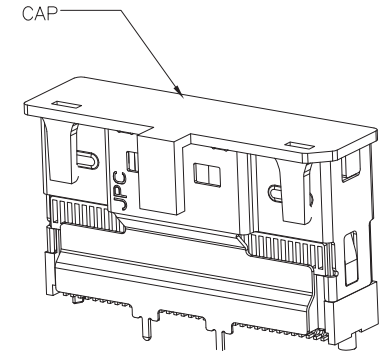
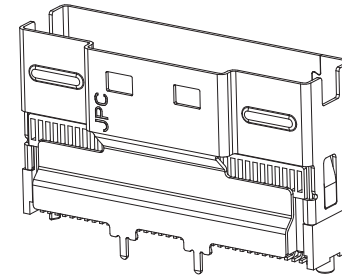
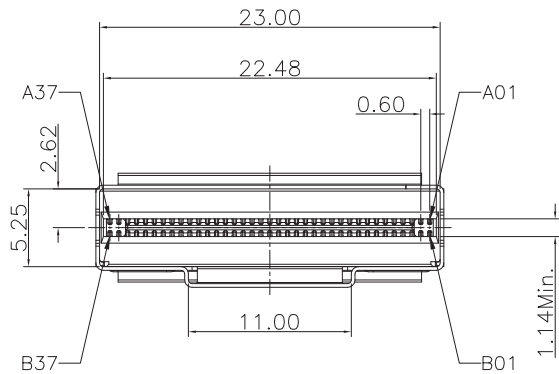


THIS DRAWING AND THE DATA DISCLOSED HEREIN OR HEREWITH IS NOT TO BE REPRODUCED USED OR DISCLOSED IN WHOLE OR IN PART TO ANYONE WITHOUT THE PERMISSION OF JESS-LINK PRODUCTS CO.,LTD.

CUSTOMER DRAWING

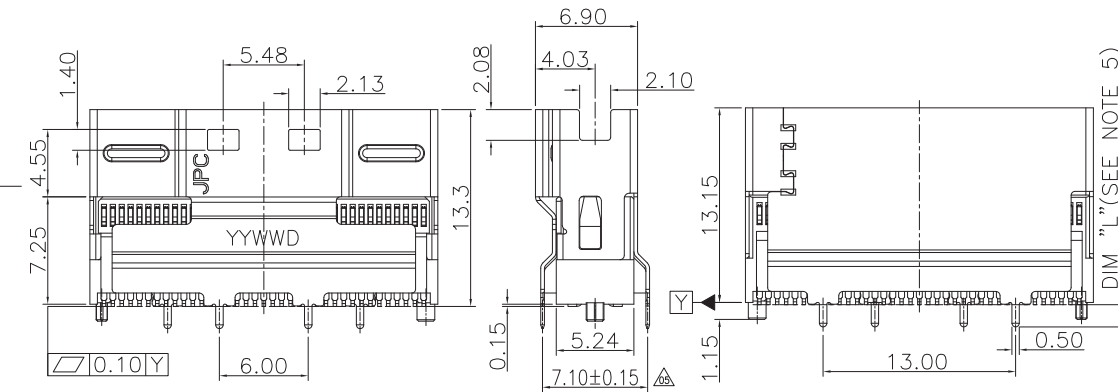
REV.	DESCRIPTION	MDF'D	APP'D	DATE
01	INITIAL DESIGN	Bob	Ray	09/30/2016
04	MODIFY PRODUCT DESCRIPTION	Jemmy	Ray	09/18/2017
05	PITCH28mm change to PITCH24mm	denghong	Pc Liao	07/20/2018

A  
B  
C  
D  
E  
F

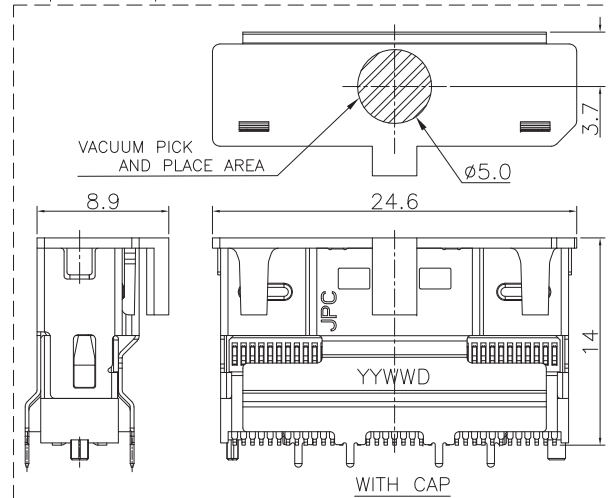
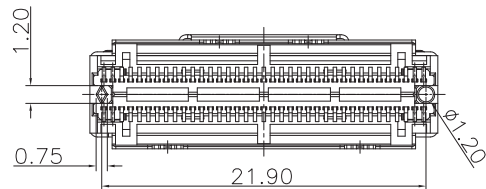


WITH CAP

C  
D  
E  
F



- NOTE:
- MATERIAL:  
HOUSING:HI-TEMP THERMOPLASTIC UL 94V-0 BLACK  
TERMINAL:COPPER ALLOY  
SHELL:STAINLESS STEEL  
\*CAP:HI-TEMP THERMOPLASTIC UL 94V-0 BLACK(SEE JPC P/N MATRIX)
  - PLATING:  
TERMINAL:CONTACT & SOLDER AREA SEE JPC P/N MATRIX  
30u" MIN. NICKEL UNDERPLATE ALL OVER  
SHELL:30u" MIN. NICKEL PLATED ALL OVER
  - DATE CODE: YYWWD  
YY=THE LAST 2 DIGITS OF THE YEAR  
WW=WEEK OF MANUFACTURE  
D=DAY FOR WEEK
  - PACKAGE SPEC : SOP-PK-P935B074-D
  - JPC P/N MATRIX: P 9 3 5 B 0 7 4 \* \* \* \* - 0



- Thinline SAS 8i RECEPTACLE  
85 Ohm VERTICAL SMT SERIES
- SHELL ATTACH  
B:INSIDE DIP TYPE  
POS: 074: 74POS(8i)
- OTHER  
PACKAGE  
R: TAPE & REEL W/Pitch 20mm (STD)  
S: TAPE & REEL W/Pitch 24mm
- OPTIONAL:  
B: W/ CAP BLACK  
N: W/O CAP
- TAIL LENGTH=DIM "L"  
1: DIP, L=3.0mm(For PCB:2.4-2.8mm)  
2: DIP, L=1.5mm(For PCB:0.7-1.3mm)  
3: DIP, L=2.2mm(For PCB:1.6-2.0mm)
- PLATING  
2: MATING -15u" Au & G/F SOLDER AREA  
3: MATING -30u" Au & G/F SOLDER AREA

F

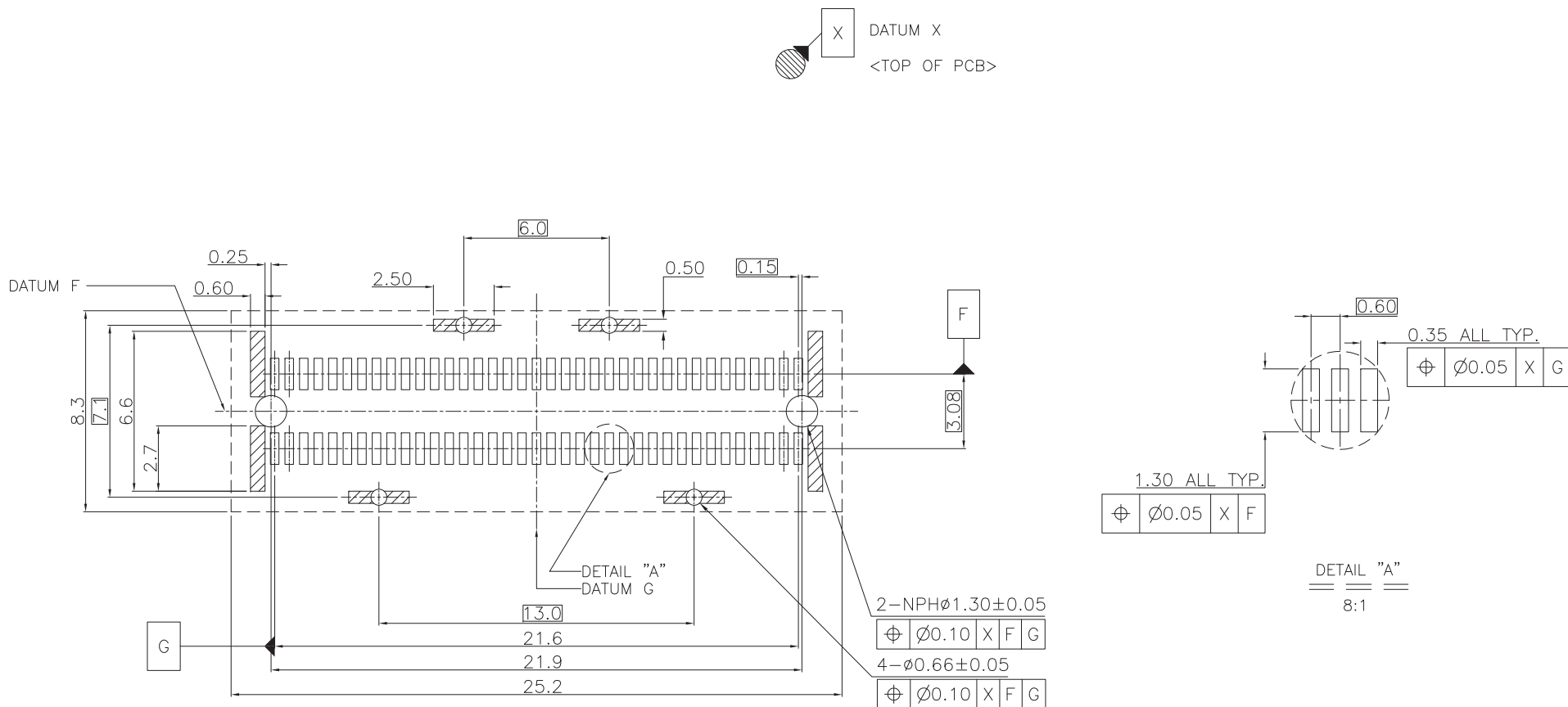
RoHS COMPLIANT	HALOGEN FREE	Unit : mm	PROJECTION		<b>JPC JESS-LINK PRODUCTS CO., LTD.</b>		
		GENERAL TOLERANCES: (UNLESS SPECIFIED)	D.R. 07/20/2018				
		0 = ±.30	Denghong		TITLE	Thinline SAS 8i Conn.	PRODUCT NO. /LAYOUT
		0.0 = ±.20	CH.K 07/20/2018		(85 Ohm, REC. V/T, SMT, H=13.3mm)		C16H0344A
0.00 = ±.10	Andrew		SCALE	SIZE	DWG NO.	REV. 05	
0.000 = ±.05	AP.V.D 07/20/2018		2:1	A4	SD-P935B074-D	SHEET 1 OF 2	
0° = ± 1°	Pc Liao						
0.0° = ±.50°							

1 2 3 4 5 6 7 8

THIS DRAWING AND THE DATA DISCLOSED HEREIN OR HEREWITH IS NOT TO BE REPRODUCED USED OR DISCLOSED IN WHOLE OR IN PART TO ANYONE WITHOUT THE PERMISSION OF JESS-LINK PRODUCTS CO.,LTD.

CUSTOMER DRAWING

REV.	DESCRIPTION	MDF'D	APP'D	DATE
01	INITIAL DESIGN	Bob	Ray	09/30/2016
04	MODIFY PRODUCT DESCRIPTION	Jemmy	Ray	09/18/2017
05	PITCH28mm change to PITCH24mm	denghong	Pc Liao	07/20/2018



RECOMMENDED PCB LAYOUT

<b>RoHS COMPLIANT</b>	<b>HALOGEN FREE</b>	Unit : mm	PROJECTION 		<b>JPC JESS-LINK PRODUCTS CO., LTD.</b>		
		GENERAL TOLERANCES: (UNLESS SPECIFIED)	D.R. 07/20/2018 Denghong	TITLE Thinline SAS 8i Conn. (85 Ohm, REC. V/T, SMT, H=13.30mm)			PRODUCT NO. /LAYOUT C16H0344A
		0 = $\pm$ .30	CH.K 07/20/2018 Andrew	SCALE	SIZE	DWG NO.	REV. 05
		0.0 = $\pm$ .20 0.00 = $\pm$ .10 0.000 = $\pm$ .05 0° = $\pm$ 1° 0.0° = $\pm$ .50°	APV.D 07/20/2018 Pc Liao	4:1	A4	SD-P935B074-D	SHEET 2 OF 2