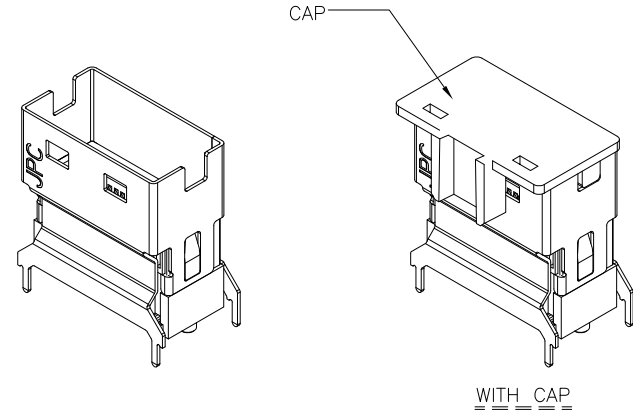
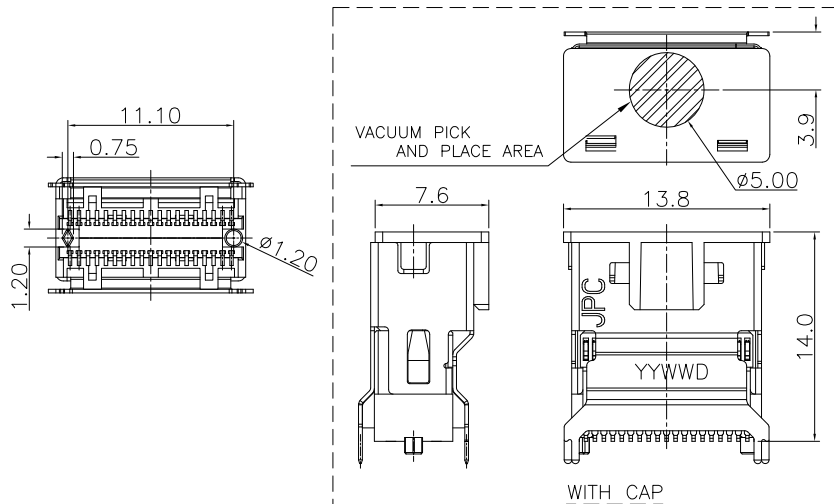
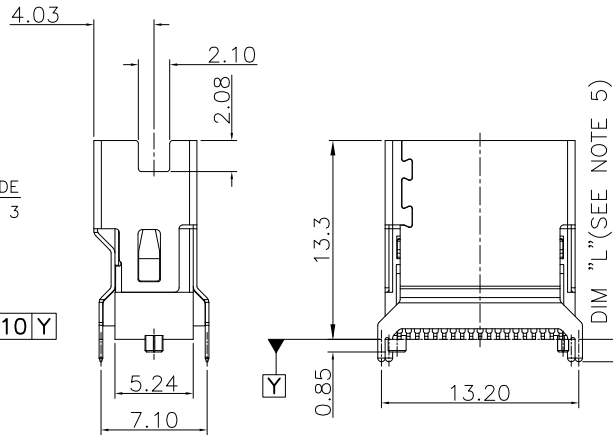
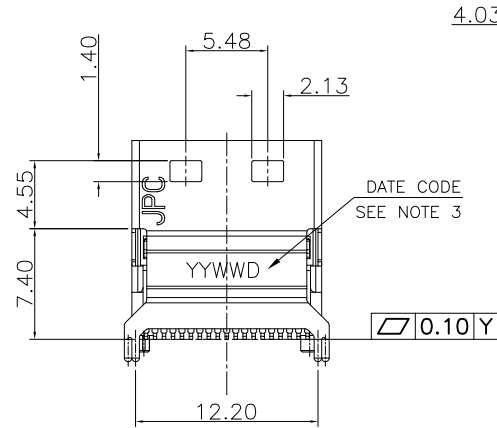
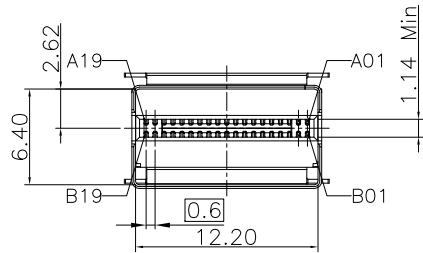


THIS DRAWING AND THE DATA DISCLOSED HEREIN OR HEREWITH IS NOT TO BE REPRODUCED USED OR DISCLOSED IN WHOLE OR IN PART TO ANYONE WITHOUT THE PERMISSION OF JESS-LINK PRODUCTS CO.,LTD.

CUSTOMER DRAWING

REV.	DESCRIPTION	MDF'D	APP'D	DATE
01	INITIAL DESIGN	Bob	Ray	09/30/2016
03	MODIFY PRODUCT DESCRIPTION	Jemmy	Ray	07/11/2017
04	MODIFY PRODUCT DESCRIPTION	Jemmy	Ray	09/18/2017



NOTE:

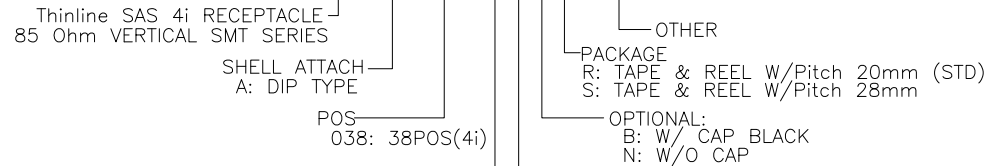
- MATERIAL:
HOUSING:HI-TEMP THERMOPLASTIC UL 94V-0 BLACK
TERMINAL:COPPER ALLOY
SHELL:STAINLESS STEEL
*CAP:HI-TEMP THERMOPLASTIC UL 94V-0 BLACK(SEE JPC P/N MATRIX)

- PLATING:
TERMINAL:CONTACT & SOLDER AREA SEE JPC P/N MATRIX
30u" MIN. NICKEL UNDERPLATE ALL OVER
SHELL:30u" MIN. NICKEL PLATED ALL OVER

- DATE CODE: YYWWDD
YY=THE LAST 2 DIGITS OF THE YEAR
WW=WEEK OF MANUFACTURE
D=DAY FOR WEEK

- PACKAGE SPEC : SOP-PK-P935A038-D

- JPC P/N MATRIX: P 9 3 5 A 0 3 8 * * * * - 0



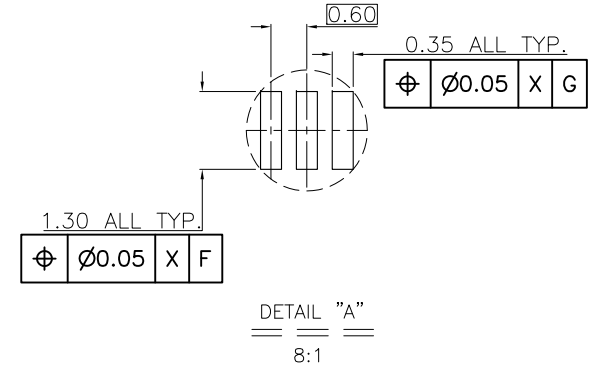
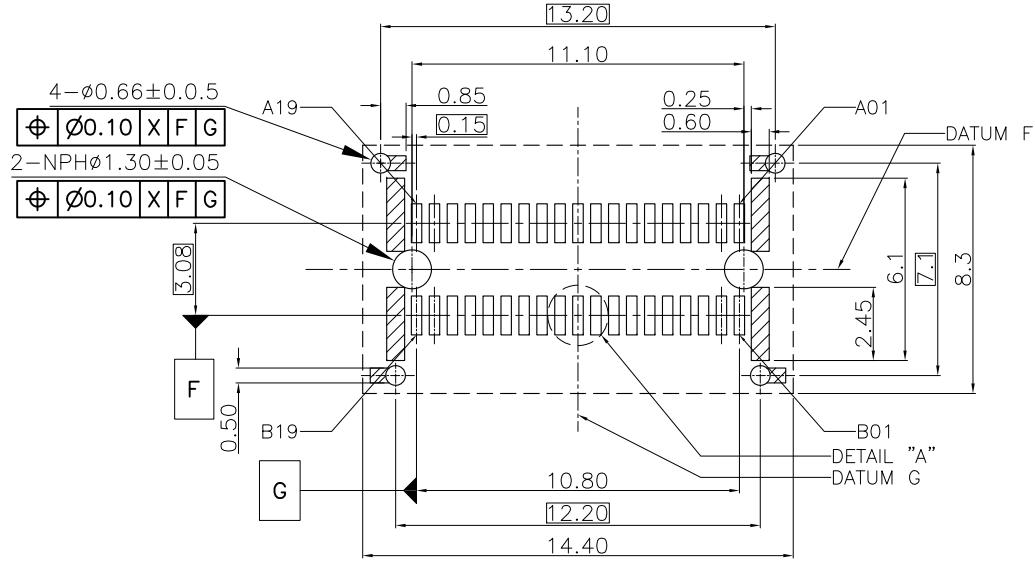
- PLATING
- MATING -15u" Au & G/F SOLDER AREA
 - MATING -30u" Au & G/F SOLDER AREA
- TAIL LENGTH=DIM "L"
- DIP, L=3.0mm(For PCB:2.4-2.8mm)
 - DIP, L=1.5mm(For PCB:0.7-1.3mm)
 - DIP, L=2.2mm(For PCB:1.6-2.0mm)

RoHS COMPLIANT	HALOGEN FREE	Unit : mm	PROJECTION		JPC JESS-LINK PRODUCTS CO., LTD.	
		GENERAL TOLERANCES: (UNLESS SPECIFIED)	D.R. 07/13/2017	TITLE		PRODUCT NO. /LAYOUT
		0 = ±.30	Jemmy	ThinLine SAS 4i Conn.		C16H0343A
		0.0 = ±.20	CH.K 07/13/2017	(85 Ohm, REC. V/T, SMT, H=13.30mm)		REV. 04
0.00 = ±.10	Black	SCALE	SIZE	DWG NO.	SHEET 1 OF 2	
0.000 = ±.05	APV.D 07/13/2017	2:1	A4	SD-P935A038-D		
0° = ±.1°	Ray					
0.0° = ±.50°						

THIS DRAWING AND THE DATA DISCLOSED HEREIN OR HEREWITH IS NOT TO BE REPRODUCED USED OR DISCLOSED IN WHOLE OR IN PART TO ANYONE WITHOUT THE PERMISSION OF JESS-LINK PRODUCTS CO.,LTD.

CUSTOMER DRAWING

REV.	DESCRIPTION	MDF'D	APP'D	DATE
01	INITIAL DESIGN	Aaron	James	03/14/2017
03	MODIFY PRODUCT DESCRIPTION	Jemmy	Ray	07/11/2017
04	MODIFY PRODUCT DESCRIPTION	Jemmy	Ray	09/18/2017



RECOMMENDED PCB LAYOUT

RoHS COMPLIANT	HALOGEN FREE	Unit : mm	PROJECTION 		JPC JESS-LINK PRODUCTS CO., LTD.		D.R. 07/13/2017 Jemmy	TITLE Thinline SAS 4i Conn. (85 Ohm, REC. V/T, SMT, H=13.30mm)	PRODUCT NO. /LAYOUT C16H0343A
		GENERAL TOLERANCES: (UNLESS SPECIFIED)	CH.K 07/13/2017 Black	SCALE					
		0 = ±.30	APV.D 07/13/2017 Ray	4:1	A4	SD-P935A038-D			
		0.0 = ±.20 0.00 = ±.10 0.000 = ±.05 0° = ± 1° 0.0° = ±.50°					SHEET 2 OF 2		