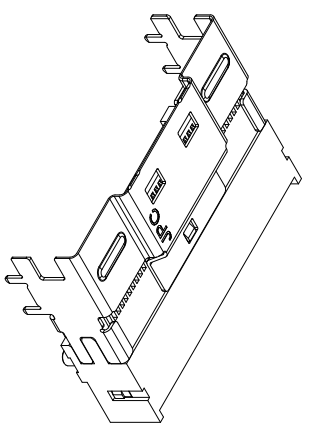
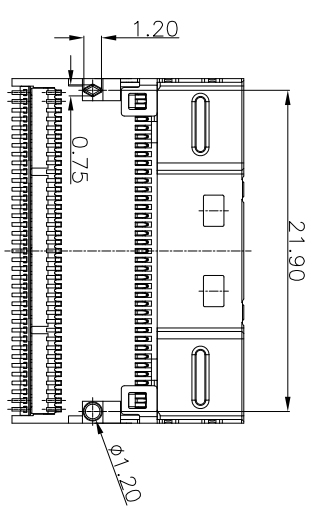
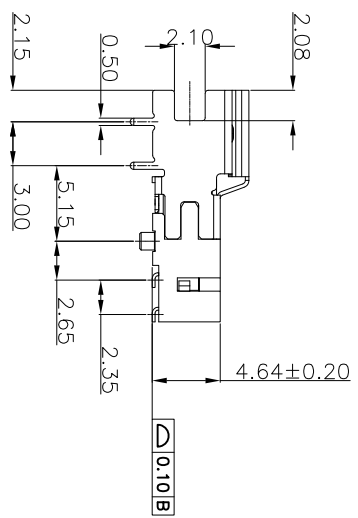
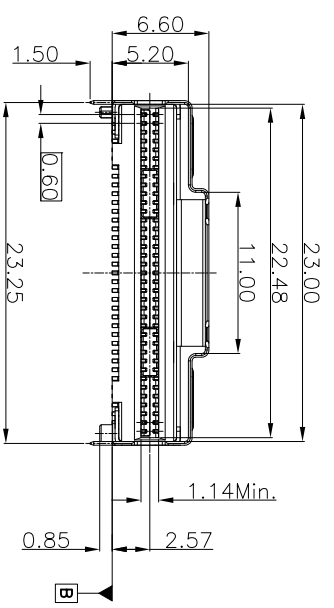
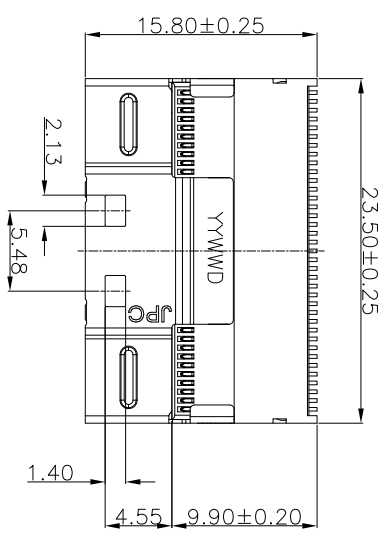


THIS DRAWING AND THE DATA DISCLOSED HEREIN OR HERewith IS NOT TO BE REPRODUCED USED OR DISCLOSED IN WHOLE OR IN PART TO ANYONE WITHOUT THE PERMISSION OF JESS-LINK PRODUCTS CO.,LTD.

CUSTOMER DRAWING

REV.	DESCRIPTION	MD'F'D	APP'D	DATE
A1	INITIAL DESIGN	Collin	Roy	08/01/2017
A2	MODIFY PRODUCT DESCRIPTION	Collin	Roy	08/14/2017



NOTE:
 1.MATERIAL:
 HOUSING: HI-TEMP THERMOPLASTIC UL 94V-0 BLACK
 TERMINAL: COPPER ALLOY
 SHELL: STAINLESS STEEL
 2.PLATING:
 TERMINAL: CONTACT & SOLDER AREA SEE JPC P/N MATRIX
 30U" MIN. NICKEL UNDERPLATE ALL OVER
 SHELL: 30U" MIN. NICKEL PLATED ALL OVER

3.DATE CODE: YYWWD
 YY=THE LAST 2 DIGITS OF THE YEAR
 WW=WEEK OF MANUFACTURE
 D=DAY FOR WEEK
 4.PACKAGE SPEC : SOP-PK-P935A038-D
 5.JPC P/N MATRIX: P 9 3 4 A 0 7 4 3 2 N R - 0
 Thinline SAS 8i RECEPTACLE
 85 Ohm VERTICAL SMT SERIES

SHELL ATTACH
 A: DIP TYPE
 POS: 074: 74POS(8i)

PACKAGE
 R: TAPE & REEL W/Pitch 24mm
 OTHER
 OPTIONAL:
 N: W/O CAP

PLATING:
 1: MATING -15U" Au & G/F SOLDER AREA
 2: MATING -30U" Au & G/F SOLDER AREA
 3: MATING -30U" Au & G/F SOLDER AREA

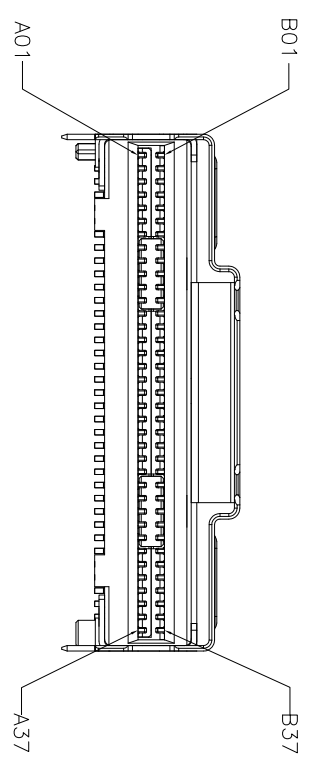
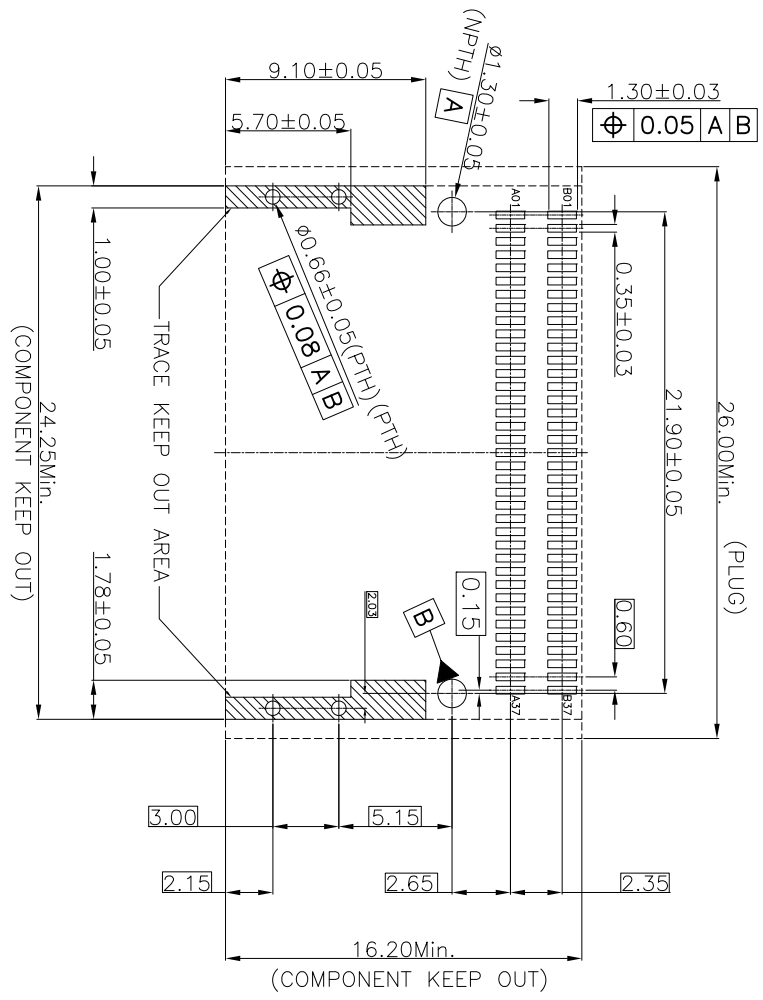
SHELL TAIL LENGTH
 2: DIP=1.5mm(for PCB:0.7-1.3mm)

RoHS COMPLIANT		PROJECTION		JPC JESS-LINK PRODUCTS CO., LTD.		PRODUCT NO.	
HALOGEN FREE		Unit : mm		TITLE		/LAYOUT	
GENERAL TOLERANCES: (UNLESS SPECIFIED)		D.R. 06/12/2017		Thinline SAS 8i Conn.		C16H0342A	
0	± 0.30	CH/K 06/12/2017		(850 REC. R/A, SMT, DIP SHELL)		REV. A2	
0.00	± 1.10	J/m		SCALE SIZE		SHEET 1 OF 2	
0.000	± 0.05	A8V/D 06/12/2017		2:1 A4		SD-P934A074-D	
0"	± 1"	Roy		D.W.G NO.			
0.0"	± 0.50"						

THIS DRAWING AND THE DATA DISCLOSED HEREIN OR HERewith IS NOT TO BE REPRODUCED USED OR DISCLOSED IN WHOLE OR IN PART TO ANYONE WITHOUT THE PERMISSION OF JESS-LINK PRODUCTS CO.,LTD.

CUSTOMER DRAWING

REV.	DESCRIPTION	MD' D	APP'D	DATE
A1	INITIAL DESIGN	Collin	Roy	08/01/2017
A2	MODIFY PRODUCT DESCRIPTION	Collin	Roy	08/14/2017



PIN ASSIGNMENTS

MOTHERBOARD FOOTPRINT RECOMMENDATION
PCB DIMENSION TOLERANCE : ±0.05 mm

RoHS COMPLIANT		PROJECTION		JPC JESS-LINK PRODUCTS CO., LTD.		PRODUCT NO.	
HALOGEN FREE		Unit : mm		Thinline SAS 8t Conn.		/LAYOUT	
GENERAL TOLERANCES: (UNLESS SPECIFIED)		D.R. 08/12/2017		TITLE		C16H0342A	
0 = ±.30	0.00 = ±.20	CH/K 06/12/2017		(85Ω REC. R/A. SMF. DIP SHELL)		REV. A2	
0.000 = ±.10	0 = ±.1	J/m		SCALE		SHEET 2 OF 2	
0° = ±.50	0° = ±.50	A8V/D 06/12/2017		SIZE A4			
		Roy		DWG NO. SD-P934A074-D			