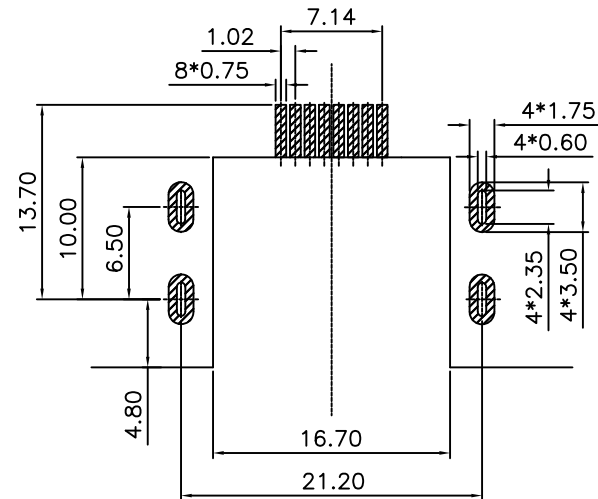
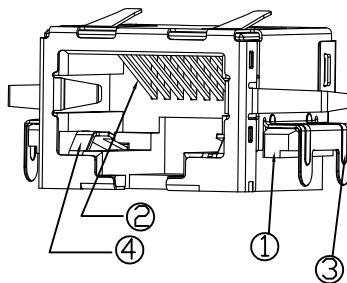
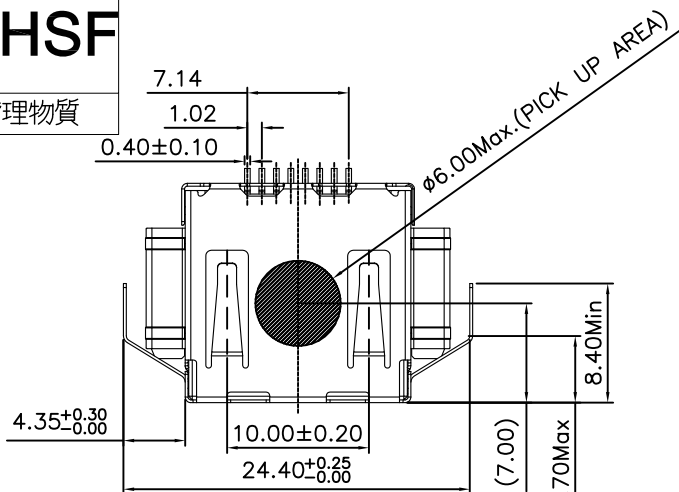




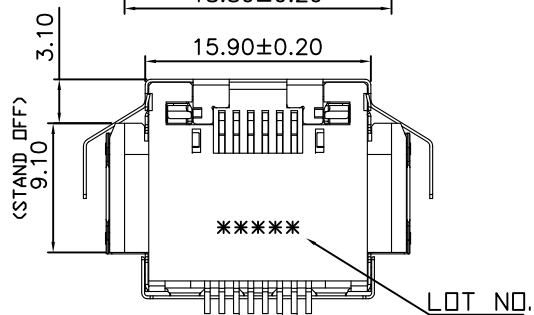
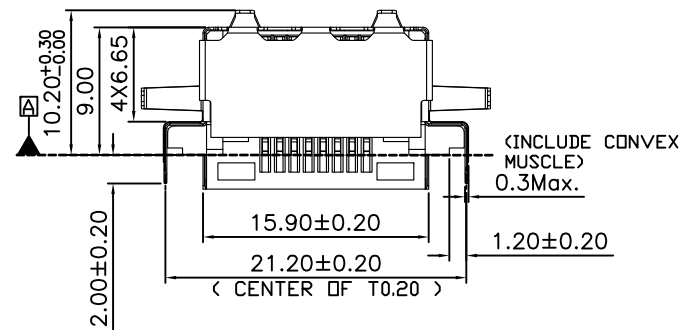
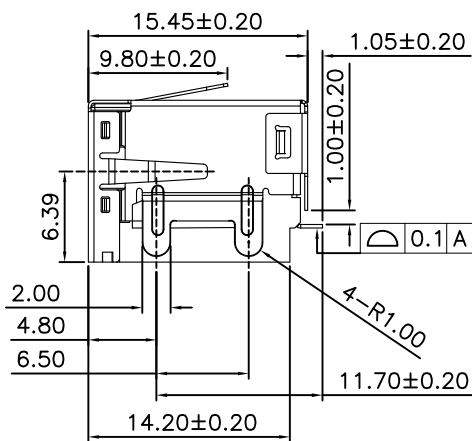
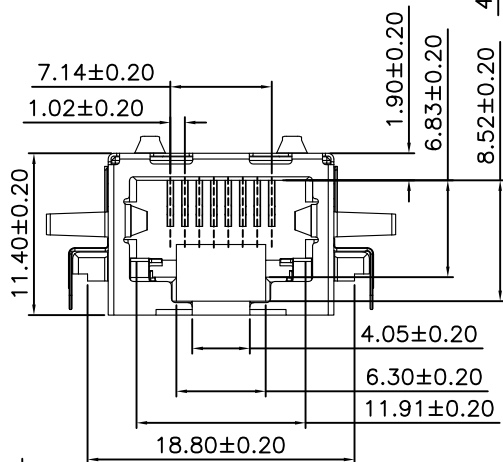
RoHS Compliant

HSF

禁止使用1級環境管理物質



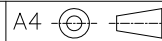
RECOMMENDED PCB LAYOUT THICKNESS=1.50mm TOLERANCE±0.05



4	RJ11 STOPPER	STAINLESS STEEL		
3	SHELL	STAINLESS STEEL	OVER-PLATING: Ni 40u"	
2	TERMINAL	COPPER ALLOY	CONTACT AREA: Au 4u" SOLDER AREA: MATTE TIN 120u" UNDER PLATING: Ni 40u" min	
1	HOUSING	LCP UL94V-0	COLOR: BLACK	
ITEM	DESC.	MATERIAL	REMARKS	PART REMARKS

TOLERANCES	.X = ±0.50	DRAWN	TED	C	TITLE: RJ45 SINK REVERSE CONNECTOR (CUSTOMER DRAWING)		
	.XX = ±0.25						
	.XXX = ±0.15	DESIGN	TED			PART NO.	PCNRC001GC80-0
	.XXX = ±0.05	CHECKED	FLASH			PRODUCT NO.	C16N0208A
.XX' = ±1"	APPROVED	RICHARD	DRAWING NO.	PCNRC001GC80-0			
.XXX' = ±0.5"			UNIT: mm SCALE: 2:1 REV: 01 SHT: 1 of 1				

JESS - LINK PRODUCTS CO., LTD.



ECN NO.	01	02/22/16	NEW DRAWING RELEASE	TED	RICHARD
REV			DESCRIPTION	MDF'D	APP'D

THIS PART SHOULD NOT CONTAIN ANY SUBSTANCES WHICH ARE SPECIFIED IN SS-00259-01. PURCHASE RECYCLED RESINS AND WIRE RODS ONLY FROM SONY QUALIFIED VENDORS.