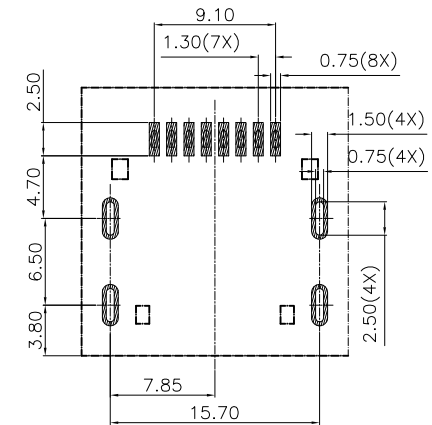
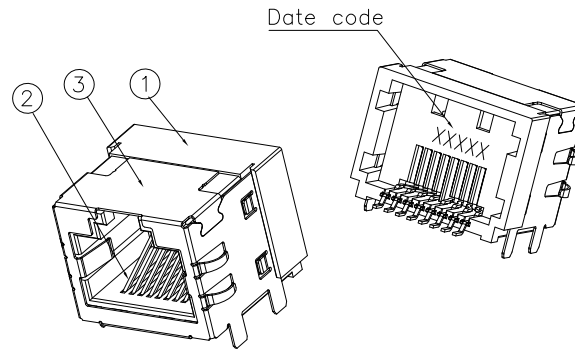
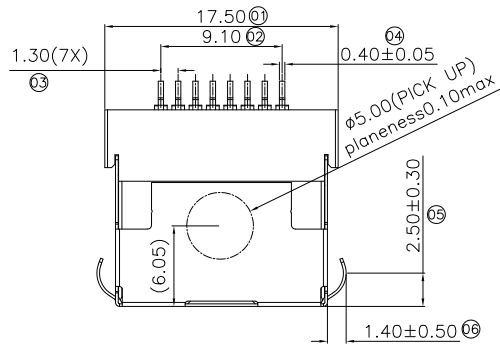


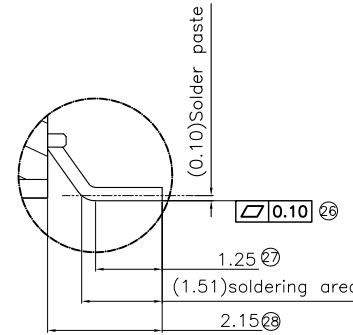
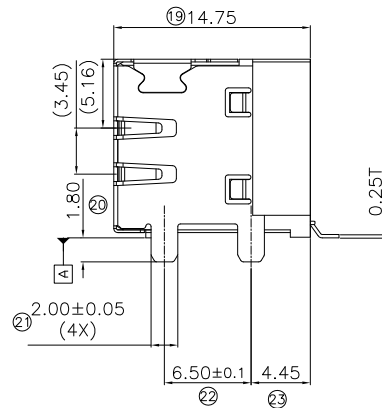
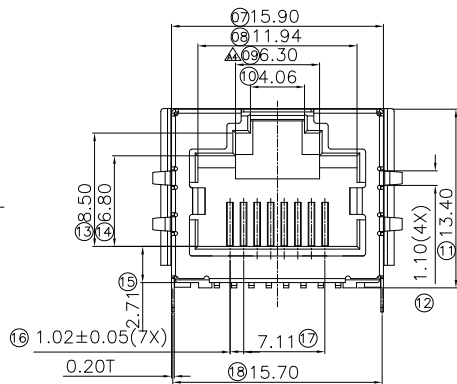
THIS DRAWING AND THE DATA DISCLOSED HEREIN OR HEREWITH IS NOT TO BE REPRODUCED USED OR DISCLOSED IN WHOLE OR IN PART TO ANYONE WITHOUT THE PERMISSION OF JESS-LINK PRODUCTS CO.,LTD.

CUSTOMER DRAWING

REV.	ECN NO.	DESCRIPTION	MDF'D	APP'D	DATE
A1		NEW DRAWING RELEASE	LiQiang	Richard	07/22/2014
A2	ECN-072495	CHANGE FRAME	HaiBin	Richard	11/01/2018



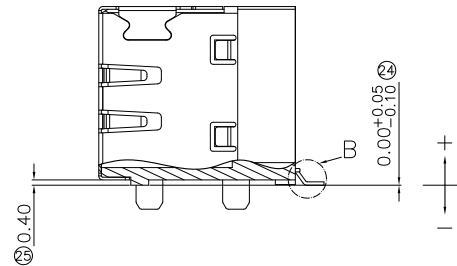
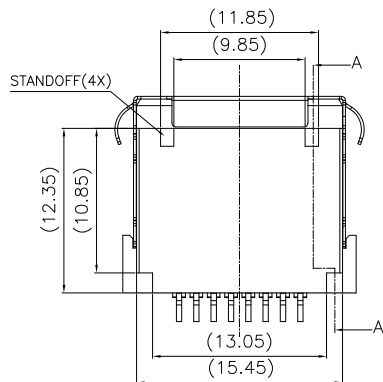
RECOMMENDED PCB LAYOUT
THICKNESS=1.20mm TOLERANCE±0.05



DETAIL B
SCALE 4:1

NOTE:

- MATERIAL:
HOUSING: THERMOPLASTICS
TERMINAL: COPPER ALLOY
SHELL: STAINLESS STEEL
- PLATING:
TERMINAL: CONTACT AREA: Au 3u"
SOLDER AREA: MATTE TIN 80u"
UNDER PLATING: Ni 50u"min
SHELL: OVER PLATING: Tin 60~120u"
UNDER PLATING: Ni 30~120u"
- PACKAGE: TRAY



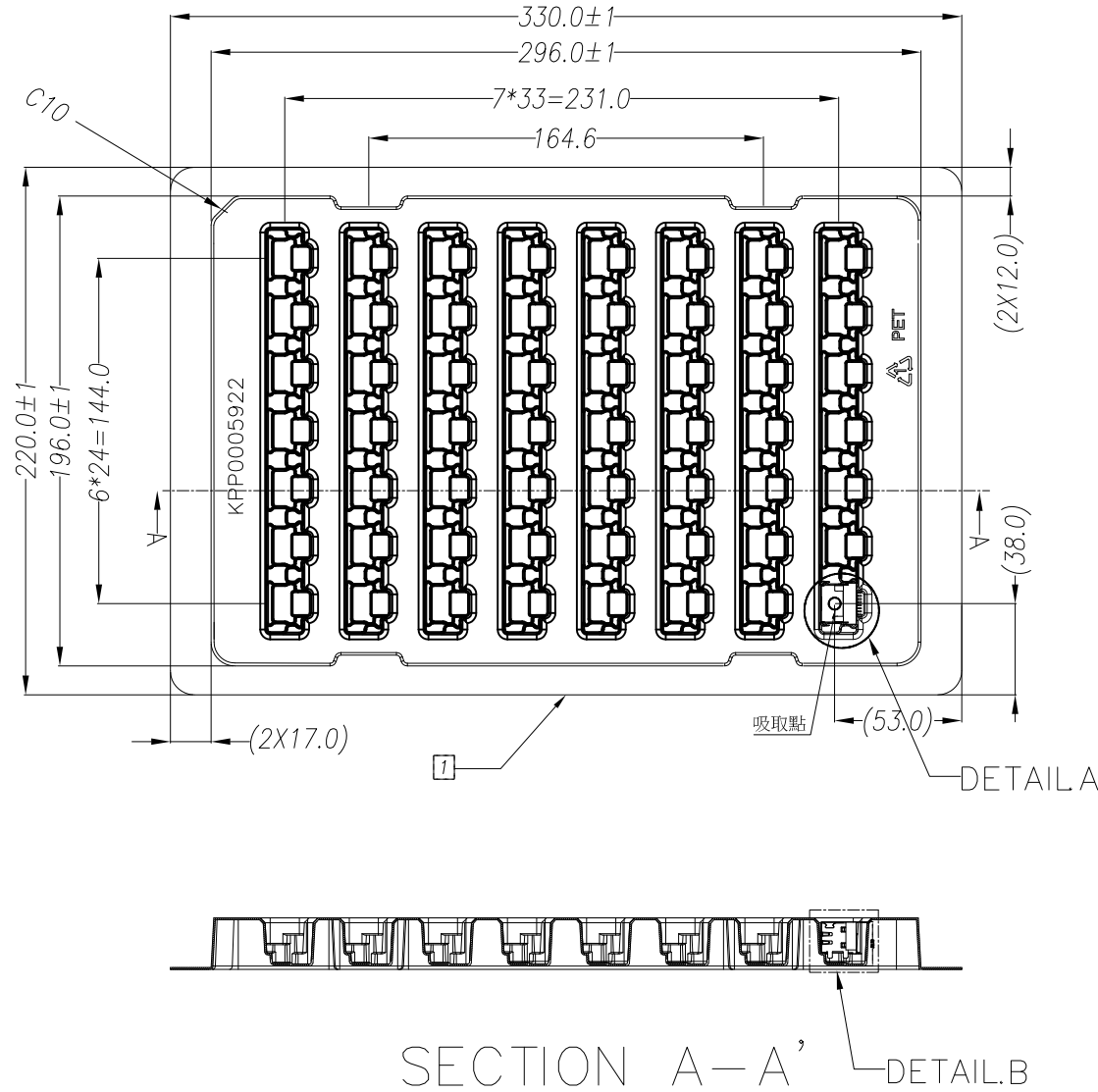
RoHS COMPLIANT	HALOGEN FREE	Unit : mm	PROJECTION		JPC JESS-LINK PRODUCTS CO., LTD.					
		GENERAL TOLERANCES: (UNLESS SPECIFIED)	D.R.	HaiBin		TITLE	PRODUCT NO. OR LAYOUT			
		0 = ±0.50	CH.K	Andrew		RJ45 W/O LED & TRANSFORMER LATCH UP R/A CONN (CUSTOMER DRAWING)	C14N0175A			
		0.0 = ±0.25 0.00 = ±0.15 0.000 = ±0.05 0° = ±1° 0.0° = ±0.5°	APV.D	Richard		SCALE	SIZE	DWG NO.	REV.	
						2:1	A4	UCNTB001GC80-0	A2	SH,T NO. 1 OF 1

THIS DRAWING AND THE DATA DISCLOSED HEREIN OR HEREWITH IS NOT TO BE REPRODUCED USED OR DISCLOSED IN WHOLE OR IN PART TO ANYONE WITHOUT THE PERMISSION OF JESS-LINK PRODUCTS CO.,LTD.

CUSTOMER DRAWING

REV.	ECN NO.	DESCRIPTION	MDF'D	APP'D	DATE
02	ECN-052814	增加地板與紙箱,變更外箱料號與規格	LiQiang	Richard	09/04/2014
04	ECN-054878	側面增加天地板	LiQiang	Richard	01/29/2015
05	ECN-072495	更換圖框	HaiBin	Richard	11/01/2018

A
B
C
D
E
F



RoHS COMPLIANT	HALOGEN FREE	Unit : mm	PROJECTION		JPC JESS-LINK PRODUCTS CO., LTD.	
		GENERAL TOLERANCES: (UNLESS SPECIFIED)	D.R.	TITLE		PRODUCT NO. OR LAYOUT
		0 = ±.30	HaiBin	Ethernet Conn w/o LED & Transformer RA Type(PACKING DRAWING)		C14N0175A
		0.0 = ±.20	CH.K	SCALE	SIZE	DWG NO.
0.00 = ±.10	Andrew	N/A	A4	SOP-PK-UCNTB001GC80-0	05	
0.000 = ±.05	APV.D	SH,T NO. 1 OF 2				
0° = ± 1°	Richard					
0.0° = ±.50°						

ITEM	PART	DESCRIPTION	PART NUMBER	Q'TY
1				
2				
3				
4				
5				

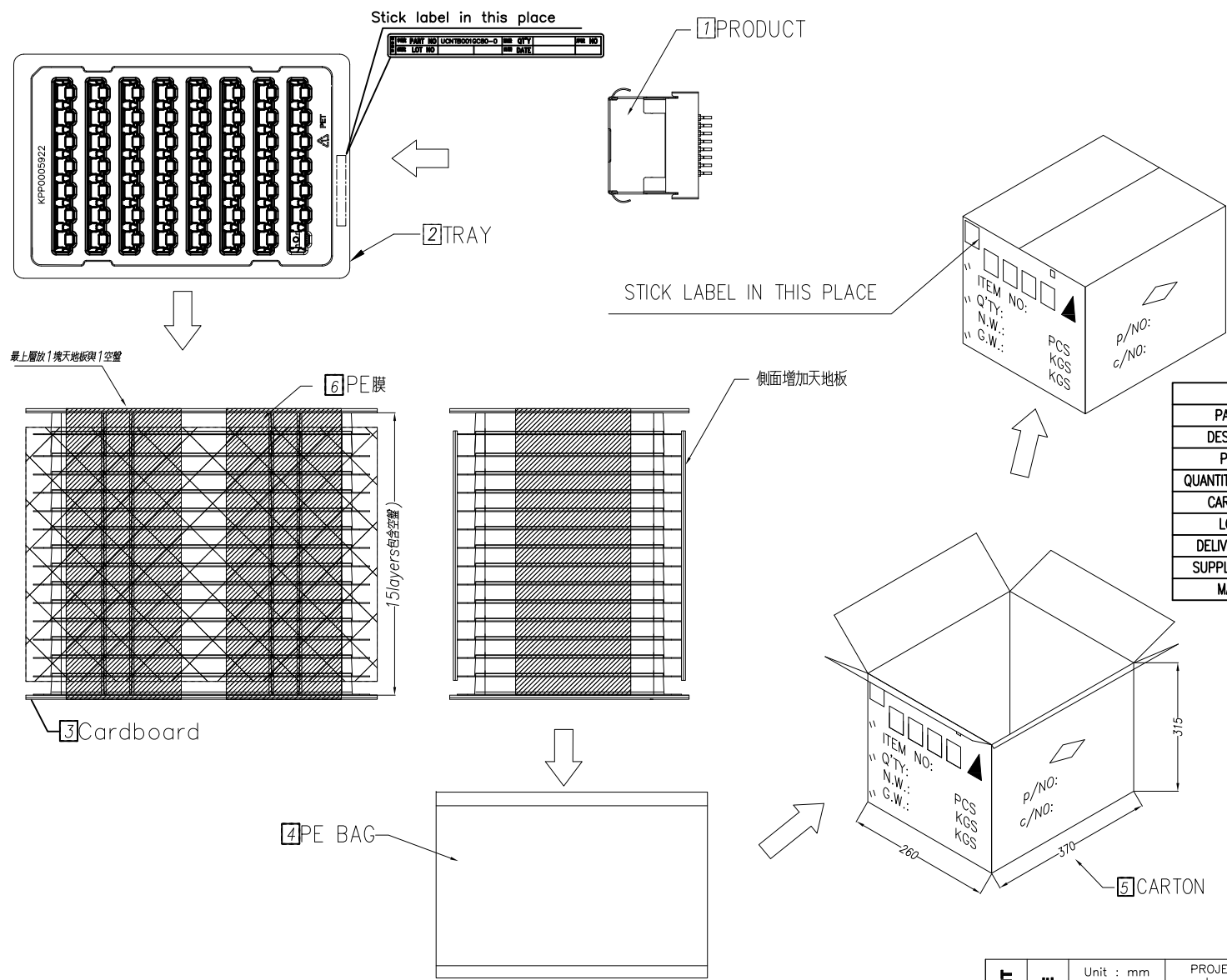
1 2 3 4 5 6 7 8

THIS DRAWING AND THE DATA DISCLOSED HEREIN OR HEREWITH IS NOT TO BE REPRODUCED USED OR DISCLOSED IN WHOLE OR IN PART TO ANYONE WITHOUT THE PERMISSION OF JESS-LINK PRODUCTS CO.,LTD.

CUSTOMER DRAWING

REV.	ECN NO.	DESCRIPTION	MDF'D	APP'D	DATE
02	ECN-052814	增加地板與紙箱,變更外箱料號與規格	LiQiang	Richard	09/04/2014
04	ECN-054878	側面增加天地板	LiQiang	Richard	01/29/2015
05	ECN-072495	更換圖框	HaiBin	Richard	11/01/2018

A
B
C
D
E
F



NOTE:
 1. QUANTITY/TRAY: 56 PCS
 數量/盤: 56PCS
 QUANTITY/INNER CARTON: 56 X 14 = 784 PCS
 數量/箱: 56 X 14 = 784 PCS
 2. WEIGHT/CARTON:
 N.W.: 2.36 KG. G.W.: 4.1 KG.
 重量/箱: 淨重 2.36KG. 毛重: 4.1 KG.

PART NO	
DESCRIPTION	Ethernet Conn w/o LED & Transformer RA Type
P/O NO	
QUANTITY(PCS/BOX)	
CARTON NO	FJ
LOT NO	
DELIVERY DATE	
SUPPLIER NAME	MAIN SUPER ENTERPRISES CO.,LTD
MAKER	Dongguan Houjie Hua-Bao Electronics Technology Ltd,

序號 NO.	項 目 ITEM	
a	包裝方式 Method of packing	
b	包裝方式說明 Packing instruction	
c	內包裝單位 Unit of inner packing	盤 TRAY
d	內包裝含產品數量 Inner packing quantity	56 PCS
e	內包裝重量(g) Inner packing weight	83g
f	外包裝單位 Unit of outer packing	箱 CARTON
g	外包裝含內包裝數量 Quantity of inner packing	14+1空盤
h	外包裝重量(g) Weight of outer packing	572g
i	總數量(PCS) Total quantity	784 PCS
j	長Length (mm) x 寬Width (mm) x 高High (mm)	370x260x315
k	數量/盤 QUANTITY/TRAY	56PCS
l	淨重/箱 WEIGHT/CARTON:N.W	2.36 Kg
m	毛重/箱 WEIGHT/CARTON:G.W	4.1±0.50 Kg

ITEM	PART	DESCRIPTION	PART NUMBER	Q'TY
5	OUTER CARTON	K=A, L370xW260xH315	KCA0012318	1
4	PE BAG	PE, PC101*2	KBA0007715	1
3	CARDBOARD	K=A, L345*W235*H7	KCA0012319	4
2	TRAY	PET	KPPO005922	15
1	PRODUCT		UCNTB001GC80-0	784

RoHS COMPLIANT HALOGEN FREE	Unit : mm	PROJECTION	JPC JESS-LINK PRODUCTS CO., LTD.		
	GENERAL TOLERANCES: (UNLESS SPECIFIED)	D.R.			
	0 = ±.30 0.0 = ±.20 0.00 = ±.10 0.000 = ±.05 0° = ± 1° 0.0° = ±.50°	HaiBin	TITLE	PRODUCT NO. OR LAYOUT	
		CH.K Andrew	Ethernet Conn w/o LED & Transformer RA Type(PACKING DRAWING)	C14N0175A	
	APV.D Richard	SCALE	SIZE	DWG NO.	REV.
		N/A	A4	SOP-PK-UCNTB001GC80-0	05
					SH,T NO.2 OF 2

1 2 3 4 5 6 7 8