

THIS DRAWING AND THE DATA DISCLOSED HEREIN OR HEREWITH IS NOT TO BE REPRODUCED USED OR DISCLOSED IN WHOLE OR IN PART TO ANYONE WITHOUT THE PERMISSION OF JESS-LINK PRODUCTS CO.,LTD.

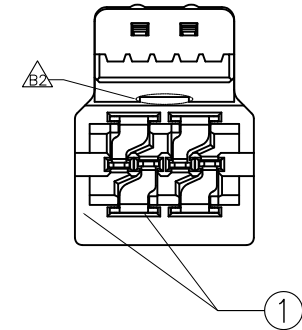
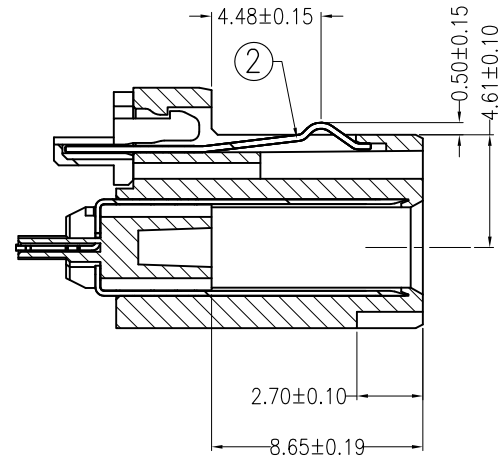
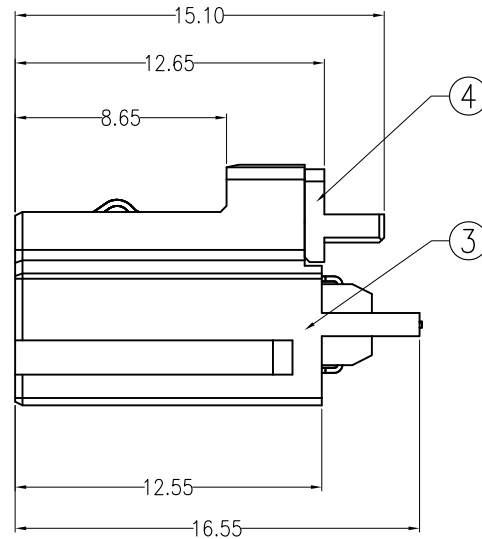
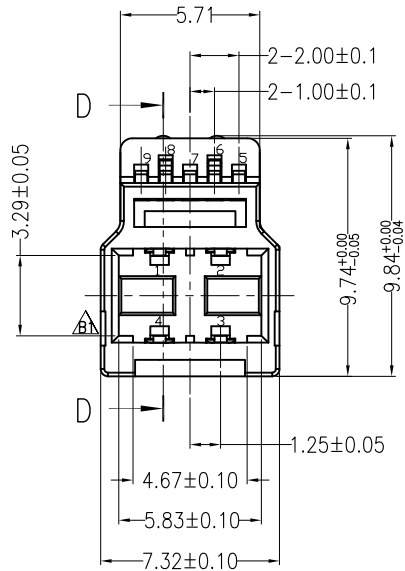
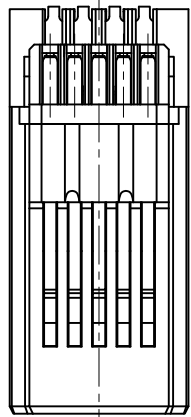
CUSTOMER DRAWING

REV.	ECN NO.	DESCRIPTION	MDF'D	APP'D	DATE
A	ECN-1104052	INITIAL DESIGN		Richard	04/21/11"
B2	ECN-051194	CHANGE THE MOLD POINT	BIN WU	Richard	05/27/14"
B3	ECN-072495	CHANGE DRAWING NO.	Semin	Richard	10/31/18"



NOTE:

i1 NO.	TIPTOP NO.	Contact Area plating	UNTER-PLATING
UCNBA001E009-0	030040301-00003	Au 30u"	Ni 80u"
UCNBA001DC73-0	030040302-00003	Au 15u"	Ni 30u"
UCNBA001BC73-0	030040303-00003	Au 5u"	Ni 30u"
UCNBA001GC73-0	030040304-00003	Au 3u"	Ni 30u"
UCNBA001AC73-0	030040305-00003	Au G/F	Ni 30u"
UCNBA001RC73-0	030040306-00003	Au 2u"+Pd-Ni30u"	Ni 80u"



SECTION: D-D



NEW DRAWING NO.	OLD DRAWING NO.
UCNBA001E009-0	0300403-1002

TOLERANCES  
DIM. ±0.30  
ANGLE: ±3°

NOTE 1 :  
"▲" IS STANDARD PRODUCT

ITEM	PART	DESCRIPTION	PART NUMBER	Q'TY	RoHS COMPLIANT	HALOGEN FREE	Unit : mm	PROJECTION	JPC JESS-LINK PRODUCTS CO., LTD.	
4	COVER	LCP,COLOR: BLACK					GENERAL TOLERANCES: (UNLESS SPECIFIED) 0 = ±.30 0.0 = ±.20 0.00 = ±.10 0.000 = ±.05 0° = ±.1° 0.0° = ±.50°	D.R. 10/31/18" Semin	TITLE	PRODUCT NO. OR LAYOUT
3	HOUSING	PA9T,COLOR: BLUE300C					CH.K 10/31/18" Andrew	USB 3.0 B M SOLDER II HOUSING+TERMINAL		
2	5P-TERMINAL	COPPER ALLOY t=0.25,UNTER-PLATING&CONTACT AREA: SEE NOTE,SOLDER AREA: Sn 120u"					APV.D 10/31/18" Richard	SCALE	SIZE	DWG NO.
1	2P-TERMINAL	COPPER ALLOY t=0.20,UNTER-PLATING&CONTACT AREA: SEE NOTE,SOLDER AREA: Sn 120u"					4:1	A4	UCNBA001E009-0	REV. B3
										SH,T NO. 1 OF 1

THIS DRAWING AND THE DATA DISCLOSED HEREIN OR HEREWITH IS NOT TO BE REPRODUCED USED OR DISCLOSED IN WHOLE OR IN PART TO ANYONE WITHOUT THE PERMISSION OF JESS-LINK PRODUCTS CO.,LTD.

CUSTOMER DRAWING

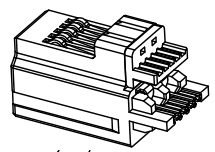
REV.	ECN NO.	DESCRIPTION	MDF'D	APP'D	DATE
A	ECN-1104052	INITIAL DESIGN	Andrew	Richard	04/27/11"
B2	ECN-056856	CHANGE OUTER CARTON DIM.	Andrew	Richard	01/09/12"
B3	ECN-072495	CHANGE DRAWING NO.	Semin	Richard	10/31/18"



NOTE:

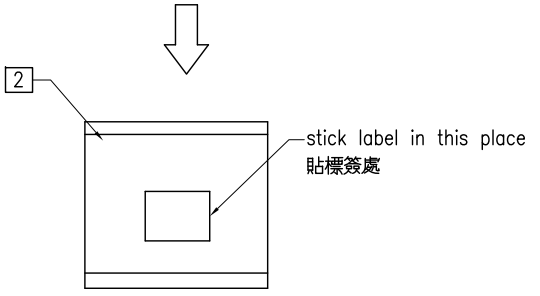
i1 PART NO.	TIPTOP PART NO.	Contact Area plating	UNTER-PLATING
UCNBA001E009-0	030040301-00003	Au 30u"	Ni 80u"
UCNBA001DC73-0	030040302-00003	Au 15u"	Ni 30u"
UCNBA001BC73-0	030040303-00003	Au 5u"	Ni 30u"
UCNBA001GC73-0	030040304-00003	Au 3u"	Ni 30u"
UCNBA001AC73-0	030040305-00003	Au G/F	Ni 30u"
UCNBA001RC73-0	030040306-00003	Au 2u"+Pd-Ni30u"	Ni 30u"

A



PRODUCT(P/N : 03004031\*-00003)  
產品 (料號: 03004031\*-00003)

B

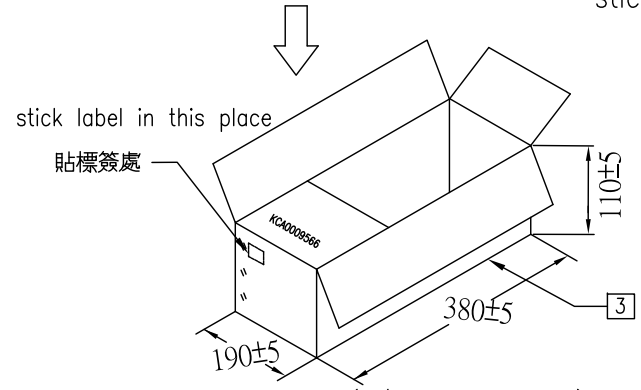


C

NEW DRAWING NO.	OLD DRAWING NO.
SOP-PK-UCNBA001E009-0	SOP-PK-10300403-002

D

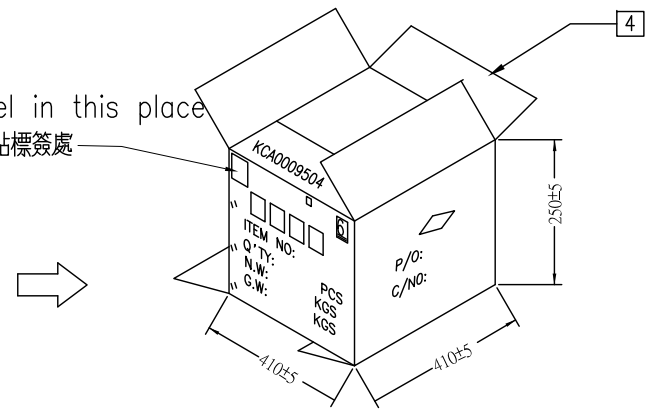
PE BAG(P/N : KBA0007720)  
PE袋 (料號 : KBA0007720)



E

INNER CARTON(P/N : KCA0009566)  
內紙箱 (料號 : KCA0009566)

stick label in this place  
貼標籤處



OUTER CARTON(P/N : KCA0009504)  
外紙箱 (料號 : KCA0009504)

序號 NO.	項目 ITEM	
1	包裝方式 Method of packing	03004030*-00003
2	包裝方式說明 Packing instruction	
3	內包裝單位 Unit of inner packing	箱 CARTON
4	內包裝含產品數量 Inner packing quantity	2000 PCS
5	內包裝重量(g) Inner packing weight	308.75
6	外包裝單位 Unit of outer packing	箱 CARTON
7	外包裝含內包裝數量 Quantity of inner packing	4
8	外包裝重量(g) Weight of outer packing	965
9	總數量 (pcs) Total quantity	8000
10	長Length(mm)x寬Width(mm)x高High(mm)	410x410x250
11	數量/袋 QUANTITY/PE BAG	500 pcs
12	淨重/箱 WEIGHT/CARTON:N.W	8.00Kg
13	毛重/箱 WEIGHT/CARTON:G.W	10.20±0.30Kg

NOTE 1 :  
" ▲ " IS STANDARD PRODUCT

F

ITEM	PART	DESCRIPTION	PART NUMBER	Q'TY
4	OUTER CARTON	K=A	KCA0009504	1
3	INNER CARTON	B=C	KCA0009566	4
2	PE BAG	PE	KBA0007720	16
1	PRODUCT			

RoHS COMPLIANT

HALOGEN FREE

Unit : mm

GENERAL TOLERANCES (UNLESS SPECIFIED)
0 = ±.30
0.0 = ±.20
0.00 = ±.10
0.000 = ±.05
= ± 1°
0.0° = ±.50°

PROJECTION

D.R.	10/31/2018
Semin	
CH.K	10/31/2018
Andrew	
APV.D	10/31/2018
Richard	

**JPC JESS-LINK PRODUCTS CO., LTD.**

TITLE	PRODUCT NO. OR LAYOUT
USB 3.0 B M II HOUSING+TERMINAL	
SCALE	REV. B3
N/A	SH,T NO. 1 OF 1

1 2 3 4 5 6 7 8