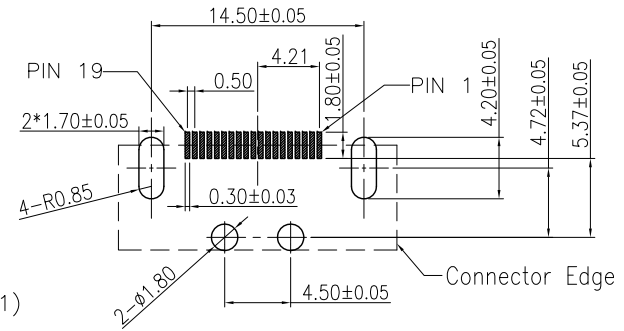
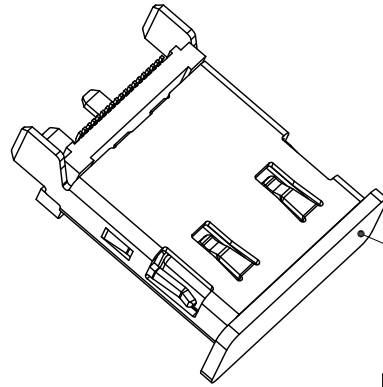
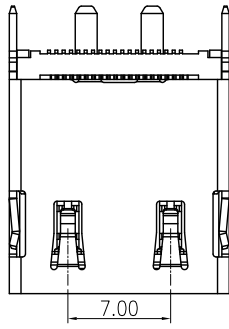


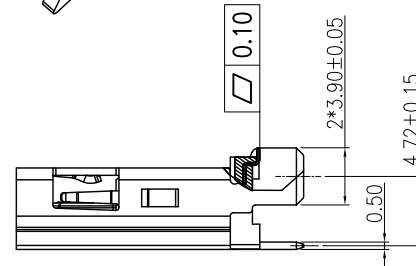
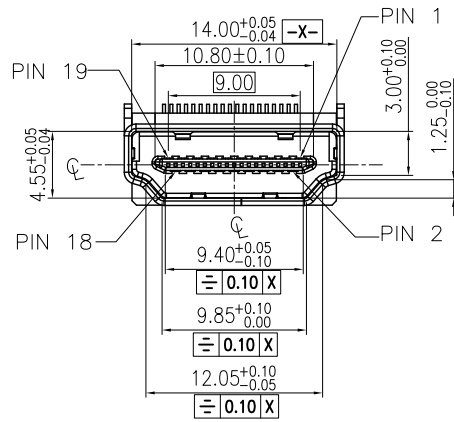
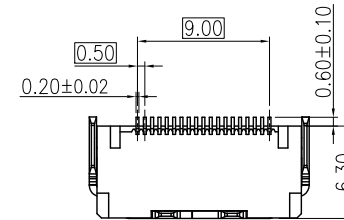
THIS DRAWING AND THE DATA DISCLOSED HEREIN OR HERewith IS NOT TO BE REPRODUCED USED OR DISCLOSED IN WHOLE OR IN PART TO ANYONE WITHOUT THE PERMISSION OF JESS-LINK PRODUCTS CO.,LTD.

CUSTOMER DRAWING

REV.	ECN NO.	DESCRIPTION	MDF'D	APP'D	DATE
A1	ECN-072217	NEW DRAWING RELEASE	ROCK	RICHARD	10/16/14*
A3	ECN-070055	PCNRC001AC40-0 REMOVE CAP	BLACK	PC	03/15/18*
A4	ECN-072495	MODIFY PICTURE FRAME	COLIN	RICHARD	11/01/18*



Recommended PCB Layout(T=1.60±0.15)
Component Side

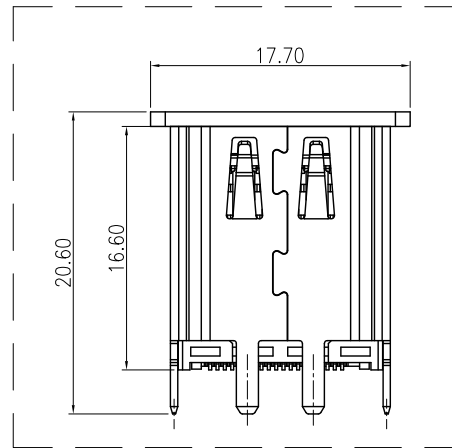
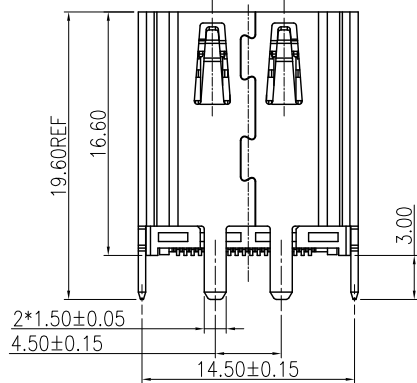


NOTE(1):

I1料號	CAP
PCNTC001AC40-0	With
PCNRC001AC40-0	Without

NOTE:

- MATERIAL:
HOUSING/CAP: THERMOPLASTIC UL 94V-0 BLACK
TERMINAL: COPPER ALLOY
SHELL: COPPER ALLOY
- PLATING:
TERMINAL: CONTACT AREA PLATING: GOLD FLASH
SOLDER AREA PLATING: MATING Sn 80u"Min
UNDER AREA PLATING: Ni 50u"MIN
SHELL: OVER AREA PLATING: Ni 40u"
- PACKAGE: TRAY



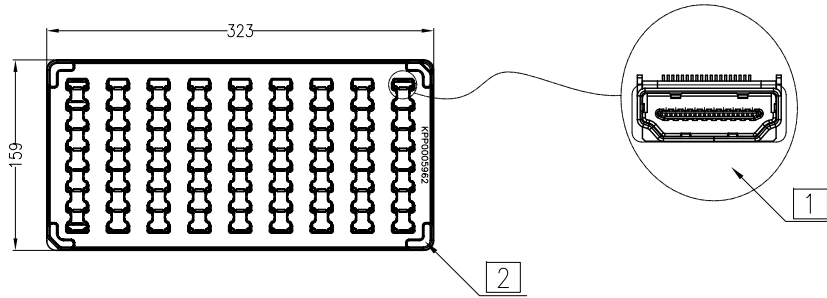
RoHS COMPLIANT HALOGEN FREE	Unit : mm	PROJECTION 	JPC JESS-LINK PRODUCTS CO., LTD.		
	GENERAL TOLERANCES: (UNLESS SPECIFIED)	D.R. Colin	TITLE HDMI-A F SMT 19PIN CONNECTOR (H=16.60)		
	0 = ±.50 0.0 = ±.25 0.00 = ±.15 0.000 = ±.05 0° = ± 2° 0.0° = ± 1°	CH.K Andrew	SCALE 2:1	SIZE A4	PRODUCT NO. OR LAYOUT C14N0189A
		APV.D Richard	DWG NO. PCNTC001AC40-0		REV. A4 SH,T NO.1 OF 1

THIS DRAWING AND THE DATA DISCLOSED HEREIN OR HEREWITH IS NOT TO BE REPRODUCED USED OR DISCLOSED IN WHOLE OR IN PART TO ANYONE WITHOUT THE PERMISSION OF JESS-LINK PRODUCTS CO.,LTD.

CUSTOMER DRAWING

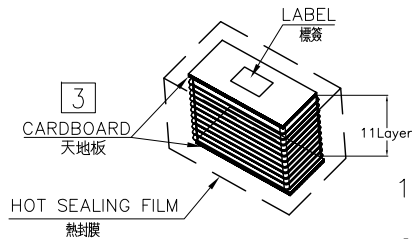
REV.	ECN NO.	DESCRIPTION	MDF'D	APP'D	DATE
01		NEW RELEASE	ROCK	RICHARD	12/02/15*
02		按實際更新包裝規範	ROCK	RICHARD	03/19/15*
03	ECN-072495	MODIFY PICTURE FRAME	COLIN	RICHARD	11/01/18*

A



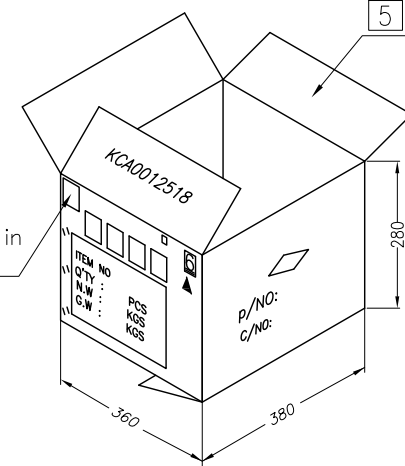
B

C



1. 裝滿產品的TRAY盤可疊10層，再頂層放置1PCS空盤，共11個盤子；
2. TRAY底部需放置一塊天地板，熱封後需在頂部貼上條碼標籤；

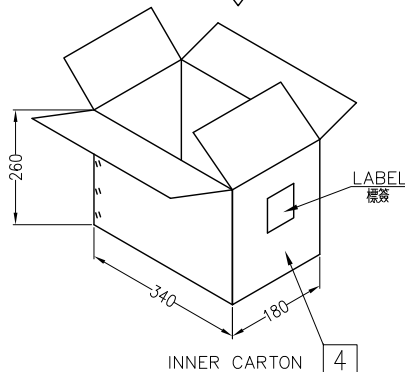
stick label in this place
標籤位置



OUTER CARTON

6. 2內箱/1外箱=720*2=1440PCS；
7. 用封箱膠封好外箱，貼上標籤，注意文字清晰。

D



INNER CARTON

3. 內箱先放置一個PE防水袋，然後放入堆疊好的產品；
4. 10層/1內箱=72*10=720PCS；
5. 內箱需貼上條碼標籤；

NOTE:

序號 NO.	項 目 ITEM	
1	包裝方式 Method of packing	PCNTC001AC40-0
2	包裝方式說明 Packing instruction	TRAY
3	內包裝單位 Unit of inner packing	箱 CARTON
4	內包裝含產品數量 Inner packing quantity	720 PCS
5	長Length mm x寬Width (mm)x高High (mm)	340x180x260
6	外包裝單位 Unit of outer packing	箱 CARTON
7	外包裝含內包裝數量 Quantity of inner packing	20
8	總數量 (PCS) Total quantity	1440 PCS
9	長Length (mm) x寬Width (mm)x高High (mm)	380x360x280
10	數量/盤 1.QUANTITY/tray	72 PCS
11	淨重/箱 WEIGHT/CARTON:N.W	5.06 KG
12	毛重/箱 WEIGHT/CARTON:G.W	6.80±0.30 KG

F

ITEM	PART	DESCRIPTION	PART NUMBER	Q'TY
5	OUTER CARTON(直線出口紙箱)	K=K	KCA0012518	1
4	內箱	K=A	KCA0012459	2
3	天地板	B=B	KCA0012498	2
2	TRAY (下蓋)	PS	KPP0005962	22
1	PRODUCT		PCNTC001AC40-0	1440

RoHS COMPLIANT

HALOGEN FREE

Unit : mm
GENERAL TOLERANCES:
(UNLESS SPECIFIED)
±0.1 = ±0.30
0.0 = ±0.20
0.00 = ±0.10
0.000 = ±0.05
0° = ±1°
0.0° = ±0.00

PROJECTION
D.R.
Colin
CH.K
Andrew
APV.D
Richard

JPC JESS-LINK PRODUCTS CO., LTD.

TITLE HDMI-A F SMT 19PIN CONNECTOR (H=16.60)
PRODUCT NO. OR LAYOUT C14N0189A

SCALE X:X
SIZE A4
DWG NO. SOP-PK-PCNTC001AC40-0
REV. 03
SH.T NO. 1 OF 1

1 2 3 4 5 6 7 8