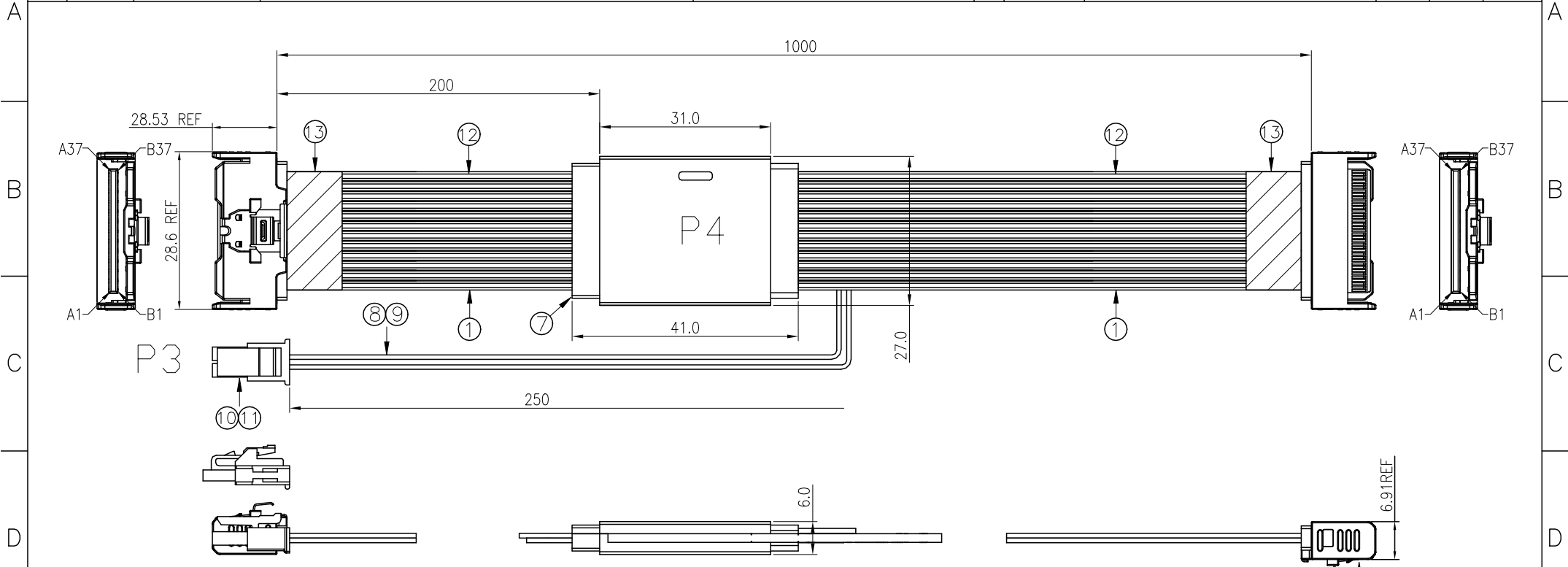
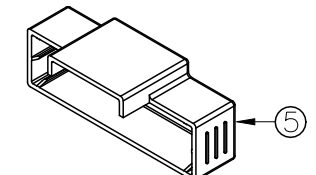
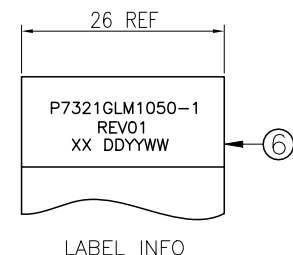


1	2	3	4	5	6	7	8				
THIS DRAWING AND THE DATA DISCLOSED HEREIN OR HEREWITH IS NOT TO BE REPRODUCED USED OR DISCLOSED IN WHOLE OR IN PART TO ANYONE WITHOUT THE PERMISSION OF JESS-LINK PRODUCTS CO.,LTD.(JPC)				CUSTOMER DRAWING DRWC-009722		REV.	ECN NO.	DESCRIPTION	MDF'D	APP'D	DATE
						01		INITIAL DESIGN	Brady	Jason	11/17/2023
						02					
						03					



- NOTES:
- TESTING CONDITION:
COND: MAX 3.0ohm
I.S: MIN 10Mohm DC/300V/0.01S.
 - DATE CODE:YYWW
YY=YEAR OF MANUFACTURE
WW=WEEK OF MANUFACTURE
 - P/N:JLP-P7321GLM1000-1
 - IMPEDANCE REQUIREMENT:
a.MATED IMPEDANCE:85±15% @RISE TIME: 50ps (20%-80%)
b.CABLE IMPEDANCE:85±10% @RISE TIME: 50ps (20%-80%)
 - Loss: 4.6dB dB@16GHz
 - THE CABLE SI REQUIREMENT FOLLOW PCIe Gen5 STANDARD
 - Total Power Consumption : 3.5W @ 8 CH (enabled 3.3V@520mA*2)

13	ACETATE TAPE,BLACK	A/R
12	PLASTIC BRAID,BLACK	1 PCS
11	TERMINAL MOLEX 2014471200 OR EQU	2 PCS
10	HOUSING MOLEX 2002771202 (KEY A) OR EQU	1 PCS
9	WIRE: UL1061 28AWG COLOR: BLACK	A/R
8	WIRE: UL1061 28AWG COLOR: RED	A/R
7	REDRIVER+PCBA	2 PCS
6	LABEL(W=25.4mm REF), BLACK TEXT & WHITE BACKGROUND	2 PCS
5	DUST CAP	1 PCS
4	LATCH, SUS301, T=0.25mm, FOR MCIO STR SERIAL	2 PCS
3	HSG, FOR MCIO 8X STR, COLOR:BLACK	2 PCS
2	MCIO 74PIN PCBA, 85 Ohm, Au 30u" ON CONTACT AREA	2 PCS
1	TWIN-AX SINGLE PAIR, 32AWG+2C+2D+HMAM+HM, 85 ohm, UL 20744, COLOR: SILVER, VW-1(LCB0003196), IL Max : -7.5dB/m @16GHz	A/R
ITEM	DESCRIPTION	Q'TY



RoHS COMPLIANT

Unit: mm(inch)	PROJECTION		JPC connectivity		
	D.R.	11/17/2023			
	GENERAL TOLERANCES: (UNLESS SPECIFIED)		TITLE		
	0 ±1 (0.039)	Brady	Active MCIO 8S STR to 8X STR CABLE		
0.0 ±0.3 (0.012)	CH.K 11/17/2023	TYPE 2 (MIDDLE) L=1000mm/200mm			
0.000 ±0.15(0.006)	Albert	SCALE	SIZE	PART NO.	REV.
0 ±2	APV.D 11/17/2023	FREE	A4	P7321GLB1000-1	01
0.0 ±1	Jason				SHEET 2 OF 2