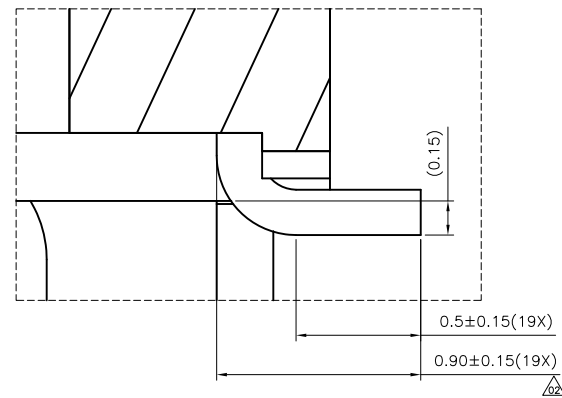
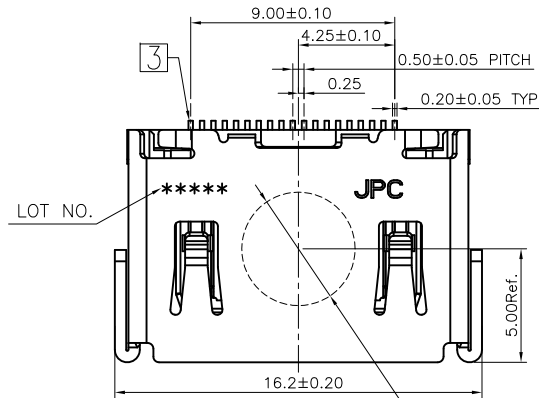


THIS DRAWING AND THE DATA DISCLOSED HEREIN OR HEREWITH IS NOT TO BE REPRODUCED USED OR DISCLOSED IN WHOLE OR IN PART TO ANYONE WITHOUT THE PERMISSION OF JESS-LINK PRODUCTS CO.,LTD.(JPC)
 THIS PART SHOULD NOT CONTAIN ANY SUBSTANCES WHICH ARE SPECIFIED IN SS-00259-01.
 PURCHASE RECYCLED RESINS AND WIRE RODS ONLY FROM SONY QUALIFIED VENDORS.

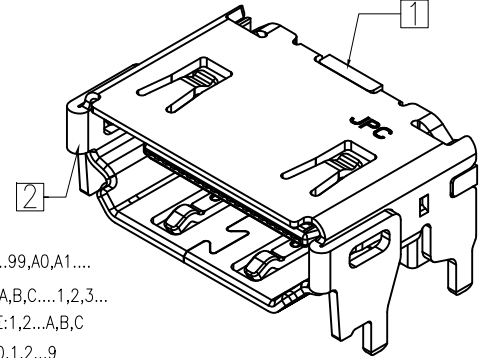
CUSTOMER DRAWING

REV.	ECN NO.	DESCRIPTION	MDF'D	APP'D	DATE
01		INITIAL DESIGN	Jake	Richard	05/20/20*
02	ECN-*****	MODIFY DIMENSIONS&ADD MOULD NUMBER	Jake	Richard	01/12/21*

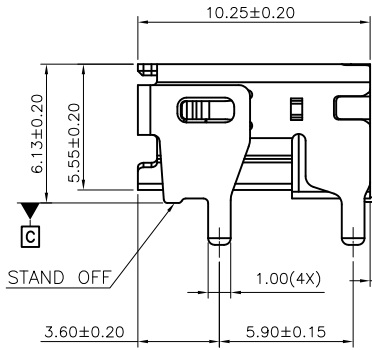
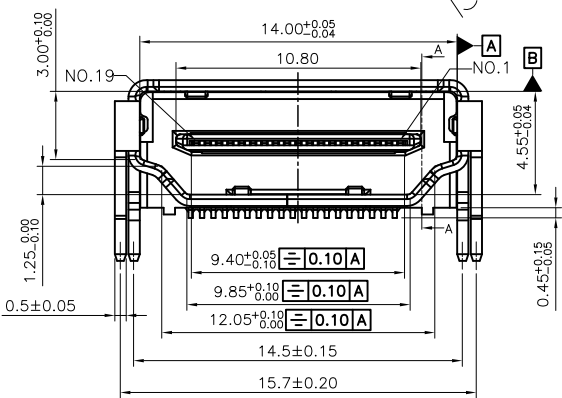
A
B
C
D
E
F



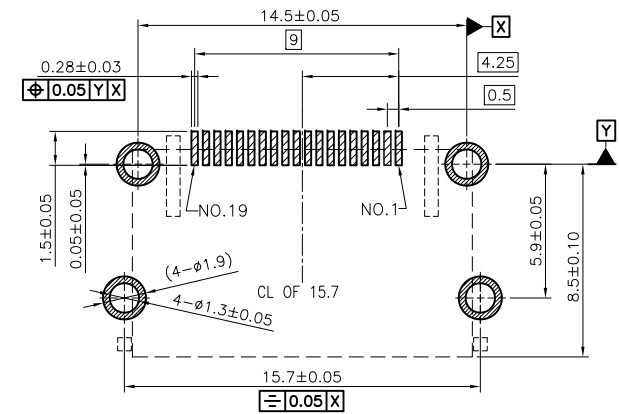
NOTE:
 1.LOT No.
 LOT NUMBER ORDERING
 * * * * *
 CODE:01,02...99,A0,A1...
 TEAM CODE:A,B,C...1,2,3...
 MONTH CODE:1,2...A,B,C
 YEAR CODE:0,1,2...9
 2.MOULD NUMBER:A,B,...N,O,P. 16 POINTS IN TOTAL.
 3.SMT TRIMMING BURR 0.06mm MAX.



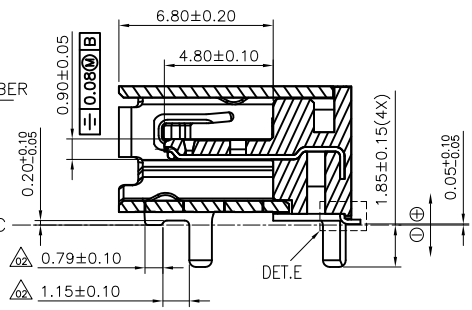
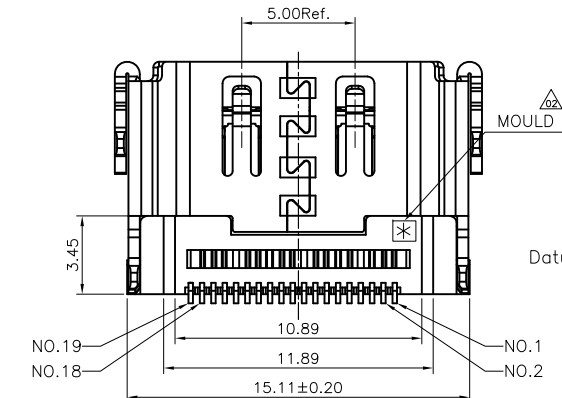
DET.E
 Scale 10:1



(Size Standard:
 Bottom of body)
 [0.08] Before Reflow
 During Reflow / After Reflow
 [0.10]



COMPONENT SIDE
 RECOMMENDED PCB LAYOUT(L=1.60±0.15)
 MEET HDMI2.1 A TYPE CONNECTOR PIN ASSIGNMENT



SECTION A-A

ITEM	DESC.	MATERIAL	REMARKS	PART REMARKS
3	TERMINAL	BRASS	UNDER PLATING: Ni 30u" MIN. CONTACT AREA: Au 4u" MIN. SOLDER AREA: Matte Tin 120u" MIN.	
2	SHELL	S50C t=0.50	OVER PLATING: Matte Tin 80u" MIN. Ni 30u" MIN.	
1	HOUSING	LCP	BLACK, 30%G.F	

HALOGEN FREE

Unit : mm	PROJECTION	JPC connectivity		PRODUCT NO. OR LAYOUT
GENERAL TOLERANCES: (UNLESS SPECIFIED)	D.R.	TITLE	HDMI-A-F SMT RA 19PIN I-M	
0 = ±.30	CH.K	SCALE	4:1	
0.0 = ±.20	AP.V.D	SIZE	A4	
0.00 = ±.10		DWG. NO.	PDM1003X19C1-1	
0.000 = ±.05				REV. 02
0° = ± 1°				SH,T NO. 1 OF 1
0.0° = ±.50°				

1 2 3 4 5 6 7 8