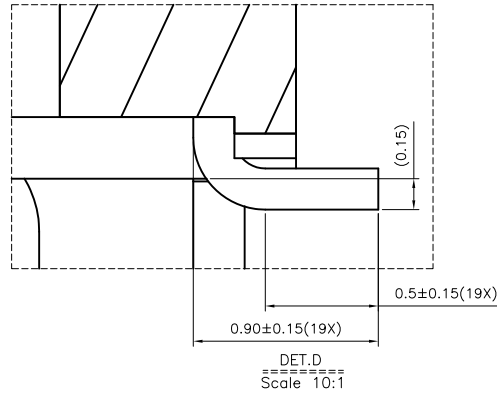
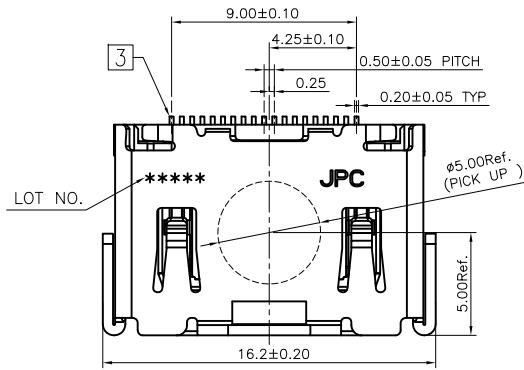


THIS DRAWING AND THE DATA DISCLOSED HEREIN OR HEREWITH IS NOT TO BE REPRODUCED USED OR DISCLOSED IN WHOLE OR IN PART TO ANYONE WITHOUT THE PERMISSION OF JESS-LINK PRODUCTS CO.,LTD.(JPC)

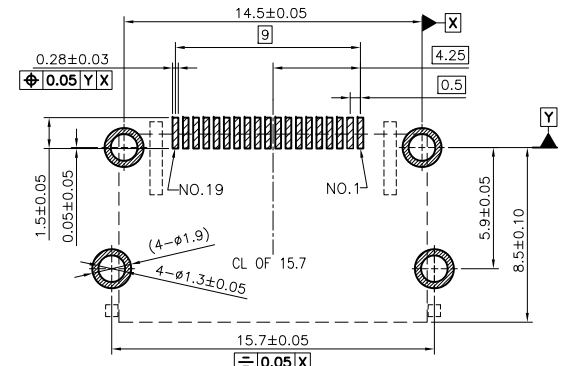
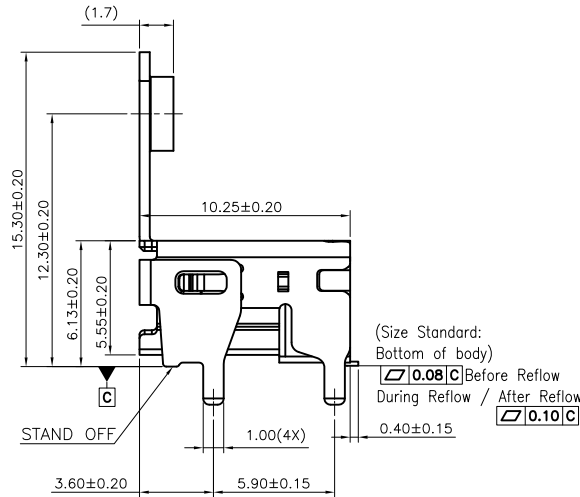
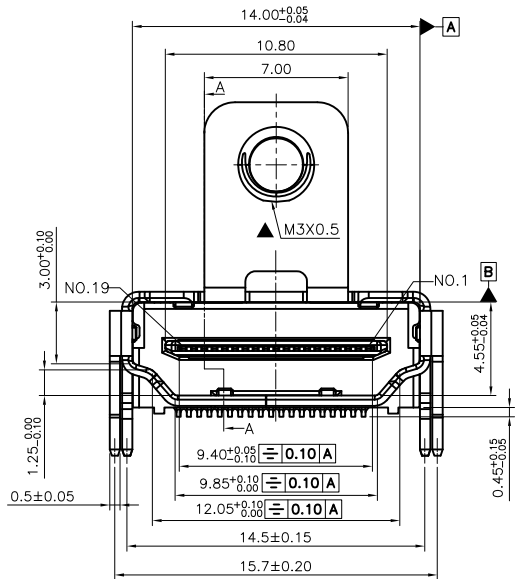
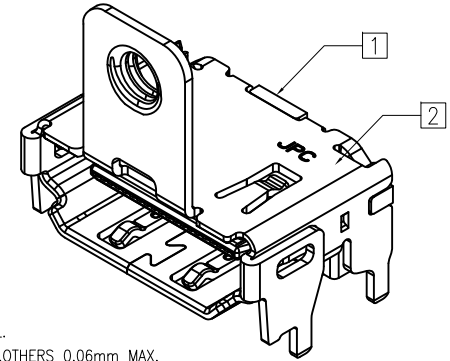
CUSTOMER DRAWING  
DRWC-000634

REV.	ECN NO.	DESCRIPTION	MDF'D	APP'D	DATE
01		INITIAL DESIGN	AHOO	RICHARD	09/08/2021

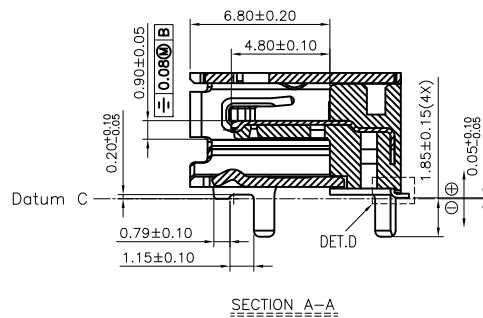
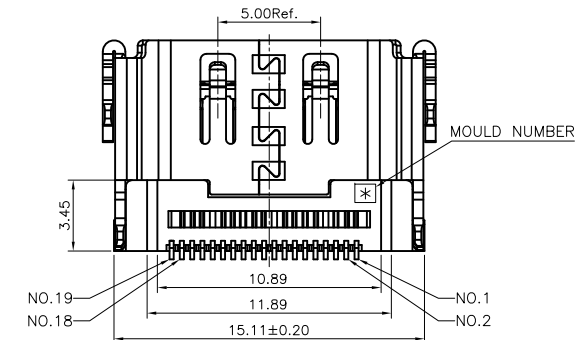


NOTE:  
1.LOT No.  
LOT NUMBER ORDERING  
\* \* \* \* \*  
CODE:01,02...99,A0,A1....  
TEAM CODE:A,B,C....1,2,3...  
MONTH CODE:1,2...A,B,C  
YEAR CODE:0,1,2...9

2.MOULD NUMBER:A,B.....N,O,P. 16 POINTS IN TOTAL.  
3.SMT TRIMMING BURR CONTROL:SOLDER SIDE 0mm,OTHERS 0.06mm MAX.  
4.THIS PART SHOULD NOT CONTAIN ANY SUBSTANCES WHICH ARE SPECIFIED IN SS-00259-01.  
PURCHASE RECYCLED RESINS AND WIRE RODS ONLY FROM SONY QUALIFIED VENDORS.



COMPONENT SIDE  
RECOMMENDED PCB LAYOUT(t=1.60±0.15)  
MEET HDMI2.1 A TYPE CONNECTOR PIN ASSIGNMENT



ITEM	DESCRIPTION	MATERIAL	REMARKS	PART NO.
3	TERMINAL	BRASS	UNDER PLATING: Ni 30u" MIN. CONTACT AREA: Au 4u" Min SOLDER AREA: Matte Tin 120u" MIN.	
2	SHELL	S50C t=0.50	OVER PLATING: Matte Tin 80u" MIN., Ni 30u" MIN. UNDER PLATING: Cu 100u" MIN.	
1	HOUSING	LCP(UL94V-0)	BLACK, 30%GF	

RoHS COMPLIANT		HALOGEN FREE		PROJECTION		TITLE		PD./FILE NO.	
Unit : mm		D.R.		09/08/2021		HDMI-A-F SMT RA 19PIN		C21N0002	
GENERAL TOLERANCES: (UNLESS SPECIFIED)		AHOO		CH.K		I-M L=10.25 CONN. WITH FLANGE		REV. 01	
0 = ±.50		APV.D		SCALE		PART NO.		SHEET 1 OF 1	
0.0 = ±.25				1:1		PDM2005X19C1-1			
0.00 = ±.15				A4					
0.000 = ±.05									
0° = ± 2'									
0.0° = ± 1'									