

1	2	3	4	5	6	7	8				
THIS DRAWING AND THE DATA DISCLOSED HEREIN OR HEREWITH IS NOT TO BE REPRODUCED USED OR DISCLOSED IN WHOLE OR IN PART TO ANYONE WITHOUT THE PERMISSION OF JESS-LINK PRODUCTS CO.,LTD.(JPC)				CUSTOMER DRAWING DRWC-007737		REV.	ECN NO.	DESCRIPTION	MDF'D	APP'D	DATE
						01		INITIAL DESIGN	Philip	Richard	07/06/2023
						02					
						03					

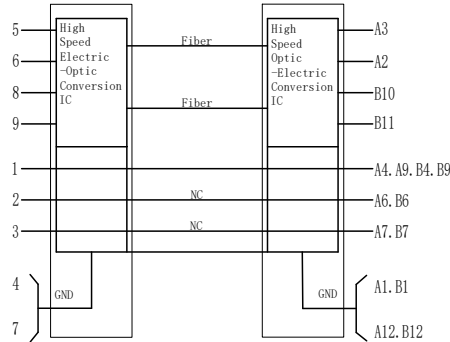
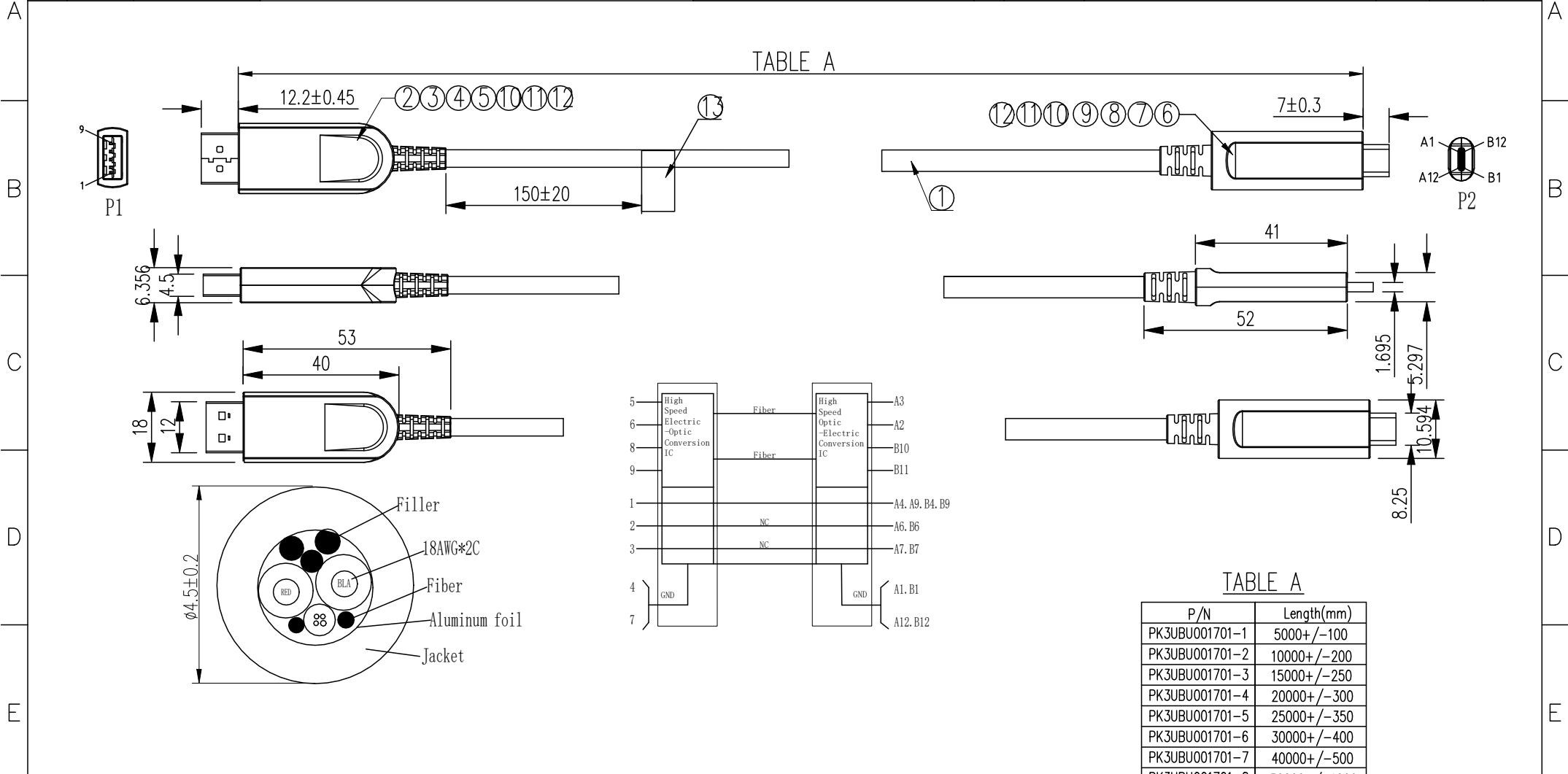


TABLE A

P/N	Length(mm)
PK3UBU001701-1	5000+/-100
PK3UBU001701-2	10000+/-200
PK3UBU001701-3	15000+/-250
PK3UBU001701-4	20000+/-300
PK3UBU001701-5	25000+/-350
PK3UBU001701-6	30000+/-400
PK3UBU001701-7	40000+/-500
PK3UBU001701-8	50000+/-1000

13	QR code	1	PCS
12	Screw	4	PCS
11	Clip	2	PCS
10	SR_black	2	PCS
9	USB Type C male shell(Upper)Black	1	PCS
8	USB Type C male shell(Bottom)Black	1	PCS
7	USB Type C PCBA	1	PCS
6	USB Type C male Gold-Plated	1	PCS
5	USB A Male Shell(Bottom) Black	1	PCS
4	USB A Male Shell(Upper) Black	1	PCS
3	USB A Male PCBA	1	PCS
2	USB A Male	1	PCS
1	USB C AOC (4 Fiber+2 Copper) Black PVC OD4.5±0.2MM	TABLE A	mm
ITEM	DESCRIPTION	Q'TY	UNIT

RoHS COMPLIANT

Unit:mm(inch)

PROJECTION

GENERAL TOLERANCES: (UNLESS SPECIFIED)

0 ±1 (0.039)

0.0 ±1.5 (0.02)

0.00 ±1.3 (0.012)

0.000 ±1.15(0.006)

0° ± 2'

0.0° ± 1'

D.R. 07/06/2023

Philip

CH.K 07/06/2023

Philip

APV.D 07/06/2023

Richard

JPC connectivity

TITLE: USB3.2 Gen 2 Type A (Male) - Type C AOC
Not downward compatible version

PD./FILE NO.

SCALE: 1:1

SIZE: A4

PART NO.: PK3UBU001701-X

REV. 01

SHEET 1 OF 1