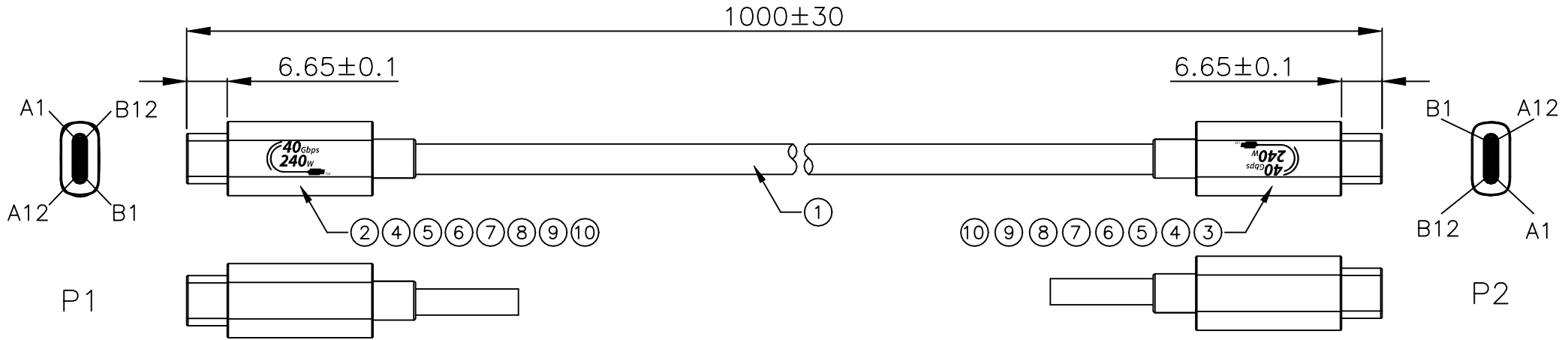


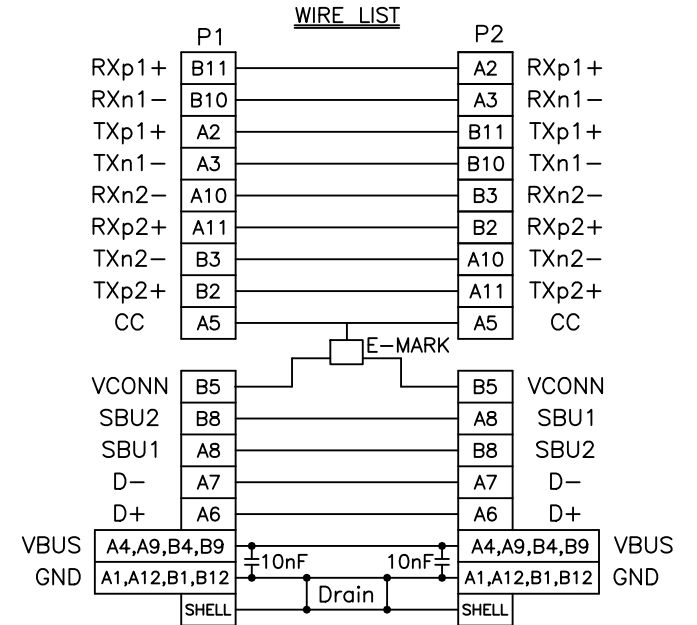
THIS DRAWING AND THE DATA DISCLOSED HEREIN OR HEREWITH IS NOT TO BE REPRODUCED USED OR DISCLOSED IN WHOLE OR IN PART TO ANYONE WITHOUT THE PERMISSION OF JESS-LINK PRODUCTS CO.,LTD.(JPC)

CUSTOMER DRAWING
DRWC-007269

REV.	ECN NO.	DESCRIPTION	MDF'D	APP'D	DATE
01		INITIAL DESIGN	Young	Richard	05/17/2023
02					
03					



- NOTE:
- 100% OPEN,SHORT,MISS WIRE&INTERMITTENT TEST;
 - CONDUCTOR RESISTANCE:3Ω Max.;
 - INSULATION RESISTANCE:10 MΩ Min./300V DC/10ms;
 - Operation temperature: -10°~45°;
 - Supports single 8K@60Hz, 5K@60Hz or dual 4K@60Hz resolution ;
 - Current delivery capacity: 5A (max.);
 - Compliant with USB Power Delivery Specification Rev3.1;



10	TPE BLACK	A/R
9	LOW PRESSURE INNER MOLD MATERIAL	A/R
8	USB4 CM ABS COVER	2PCS
7	USB4 BOTTOM SHELL	2PCS
6	USB4 TOP SHELL	2PCS
5	USB4 TOP WIRE HOLDER	2PCS
4	USB4 BOTTOM WIRE HOLDER	2PCS
3	USB4 TYPE C+PCB+SMT	1PCS
2	USB4 TYPE C+PCB+E-MRAK(ETRON)+SMT	1PCS
1	USB4 COAX~(30AWG+SCUM)*8COX+{[(34AWG+SCUM)*2COX+23AWG*1C+F]}++34AWG*4C}+P2S OD:4.95MM BLACK TPE	A/R
ITEM	DESCRIPTION	Q'TY

REHS COMPLIANT

Unit:mm(inch)	PROJECTION	JPC connectivity	
GENERAL TOLERANCES: (UNLESS SPECIFIED)			
0 =±1 (0.039)	D.R. 05/17/2023	TITLE	PD./FILE NO.
0.0 =±.5 (0.02)	Young	USB4 Gen3 Type-C TO Type-C 240W(EPR) 40Gbps PD3.1 CABLE_L=1M	TP0614
0.00 =±.3 (0.012)	CH.K 05/17/2023		
0.000=±.15(0.006)	Rory	SCALE	REV. 01
0 =± 2'	APV.D 05/17/2023	SIZE	
0.0 =± 1'	Richard	PART NO.	SHEET 1 OF 1
		1:1	PK3U4BDW7701-1