

1	2	3	4	5	6	7	8				
THIS DRAWING AND THE DATA DISCLOSED HEREIN OR HEREWITH IS NOT TO BE REPRODUCED USED OR DISCLOSED IN WHOLE OR IN PART TO ANYONE WITHOUT THE PERMISSION OF JESS-LINK PRODUCTS CO.,LTD.(JPC)				CUSTOMER DRAWING DRWC-006766		REV.	ECN NO.	DESCRIPTION	MDF'D	APP'D	DATE
						01		INITIAL DESIGN	Brady	Jason	03/24/2023
						02					
						03					

A

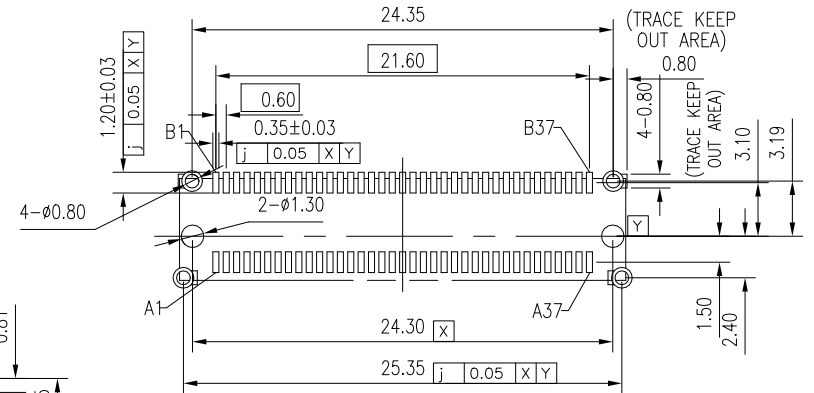
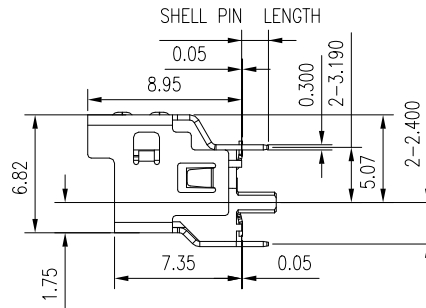
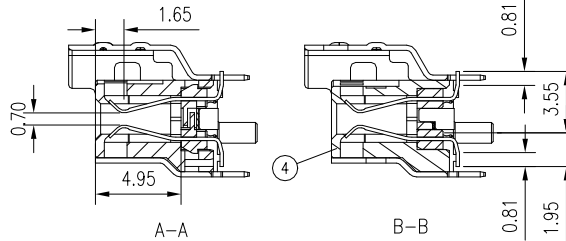
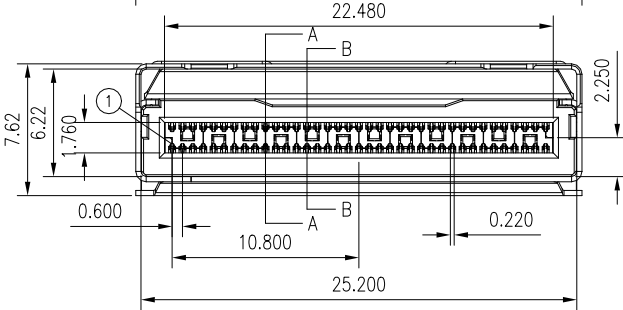
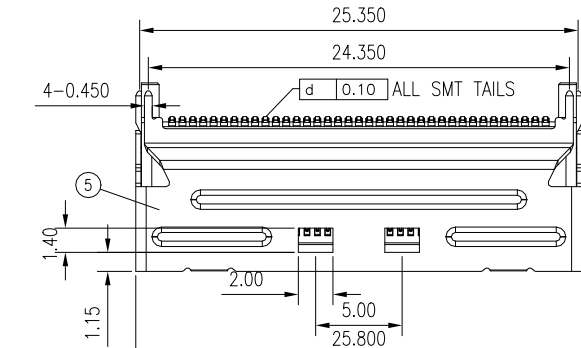
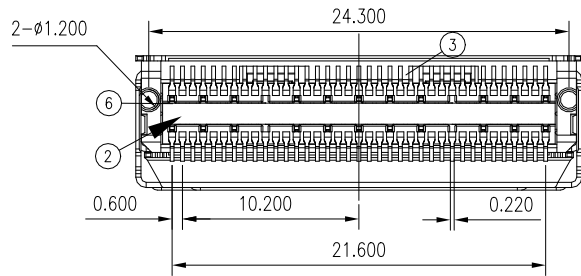
B

C

D

E

F



TOLERANCE: ±0.05
RECOMMENDED P.C.B. Layout
TOP VIEW

NOTE:

- DATE CODE: YYWWD
YY=YEAR OF MANUFACTURE
WW=WEEK OF MANUFACTURE
D=DAY FOR WEEK
- PACKAGE: TAPE & REEL
- P/N: MATRIX:

P/N: P 9 4 7 A 0 7 4 4 6 X X - 0
MCIO 8X RECEPTACLE

POS
074: 74PIN

4.Straight ,Receptacle

PACKAGE
2 : TAPE & REEL WITH CAP
3 : TAPE & REEL W/O CAP

SHELL PIN LENGTH
0: 1.5mm
1: 2.2mm
2: 3.0mm
3: 4.2mm

PLATING
6: CONTACT AREA: GOLD 30u" MIN.
SOLDERING AREA: MATTE TIN 100~200u"
OVERALL NICKEL 30~100u" UNDER PLATING.

6	GROUND SHELL	C5191H, t=0.12mm	SOLDERABLE NICKEL 60~120u"
5	SHELL	SUS304 1/2H, t=0.30mm	OVER 60~120u" NICKEL, SEAL
4	HOUSING	LCP E130i ,UL94V-0, BLACK OR NATURE	--
3	INJECTION MOLDING	LCP E130i BK210P, UL94V-0, BLACK	--
2	CONDUCTIVE PLASTIC	POLYONE LP-30CF-15MN, UL94V-0, BLACK	--
1	CONTACT	C7025 TM03, t=0.20mm	Au 30u" OVER NICKEL
INDEX	PART NAME	MATERIAL	FINSH

RoHS COMPLIANT	Unit:mm(inch)	PROJECTION	JPC connectivity	
	GENERAL TOLERANCES: (UNLESS SPECIFIED)	D.R. 03/24/2023	TITLE	PD./FILE NO.
	0 =±1 (0.039)	Brady	MCIO X8, RECEPTACLE	
	0.0 =±.5 (0.02)	CH.K 03/24/2023	VERTICAL, PITCH 0.6, SMT TYPE,	
0.00 =±.3 (0.012)	Albert	SCALE	SIZE	PART NO.
0.000=±.15(0.006)	APV.D 03/24/2023	2:1	A4	P947A07446XX-0
0° =± 2'	Jason			REV. 01
0.0° =± 1'				SHEET 1 OF 4

A

B

C

D

E

F

2

3

4

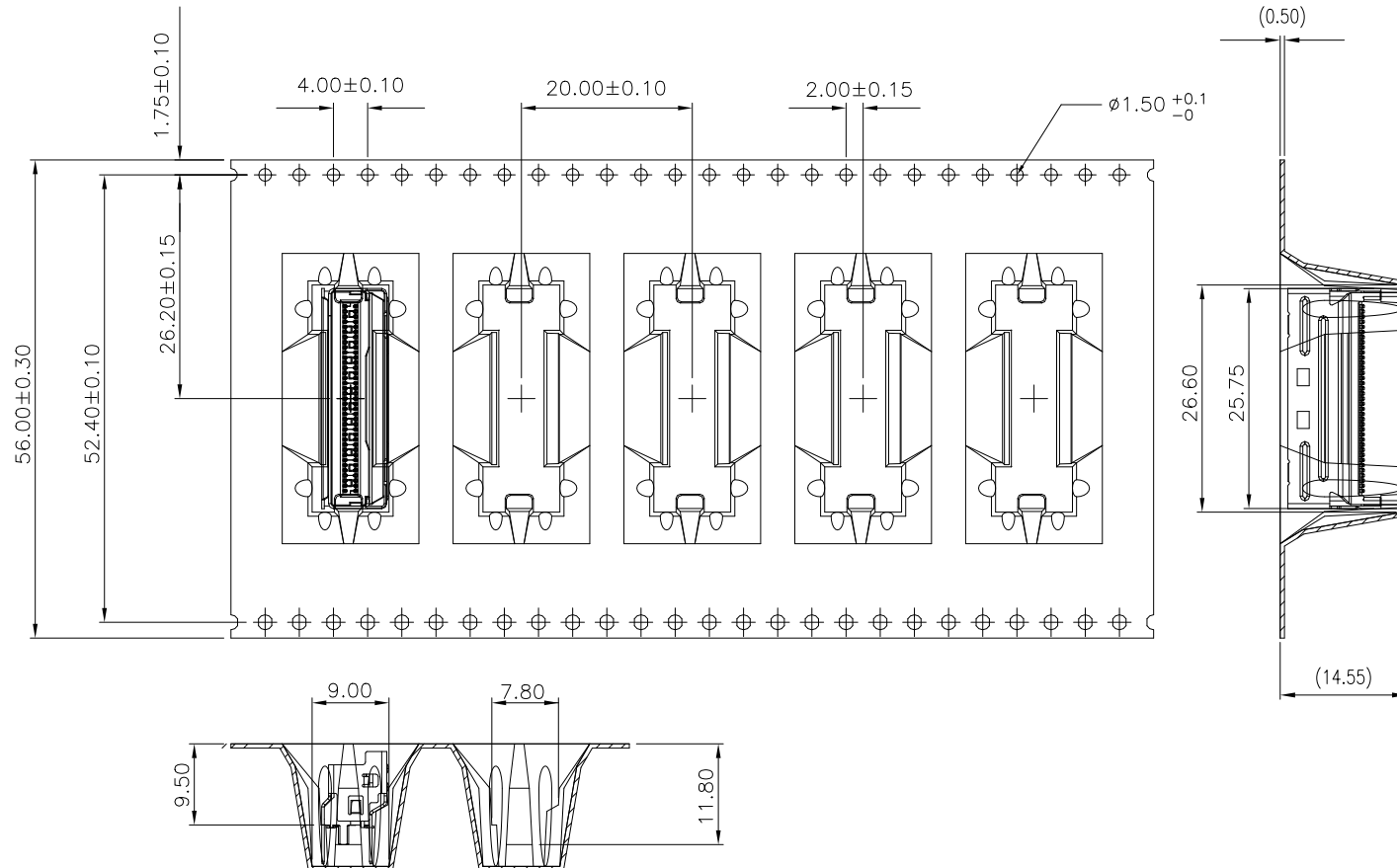
5

6

7

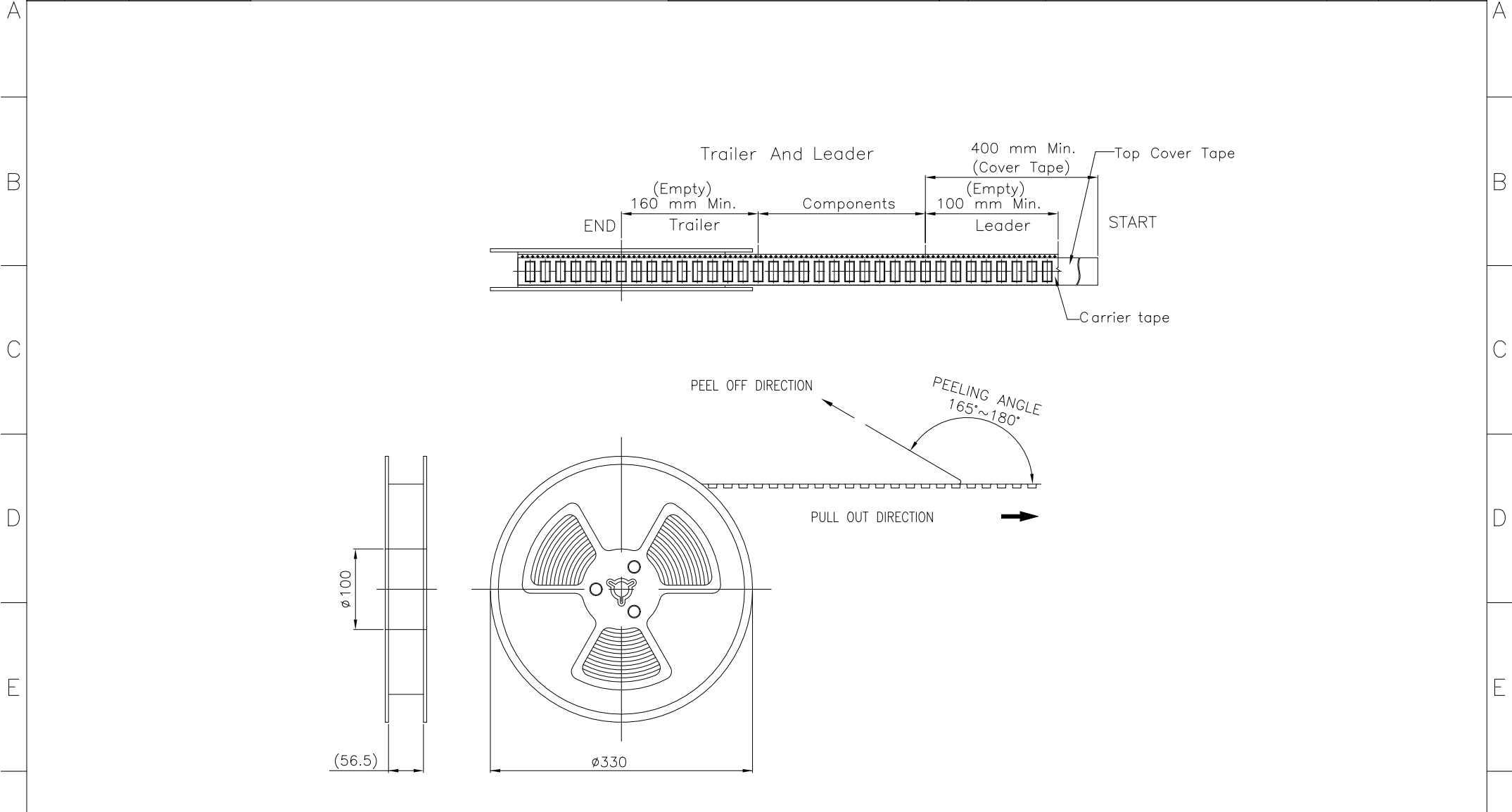
8

1	2	3	4	5	6	7	8				
THIS DRAWING AND THE DATA DISCLOSED HEREIN OR HEREWITH IS NOT TO BE REPRODUCED USED OR DISCLOSED IN WHOLE OR IN PART TO ANYONE WITHOUT THE PERMISSION OF JESS-LINK PRODUCTS CO.,LTD.(JPC)				CUSTOMER DRAWING DRWC-006766		REV.	ECN NO.	DESCRIPTION	MDF'D	APP'D	DATE
						01		INITIAL DESIGN	Brady	Jason	03/24/2023
						02					
						03					

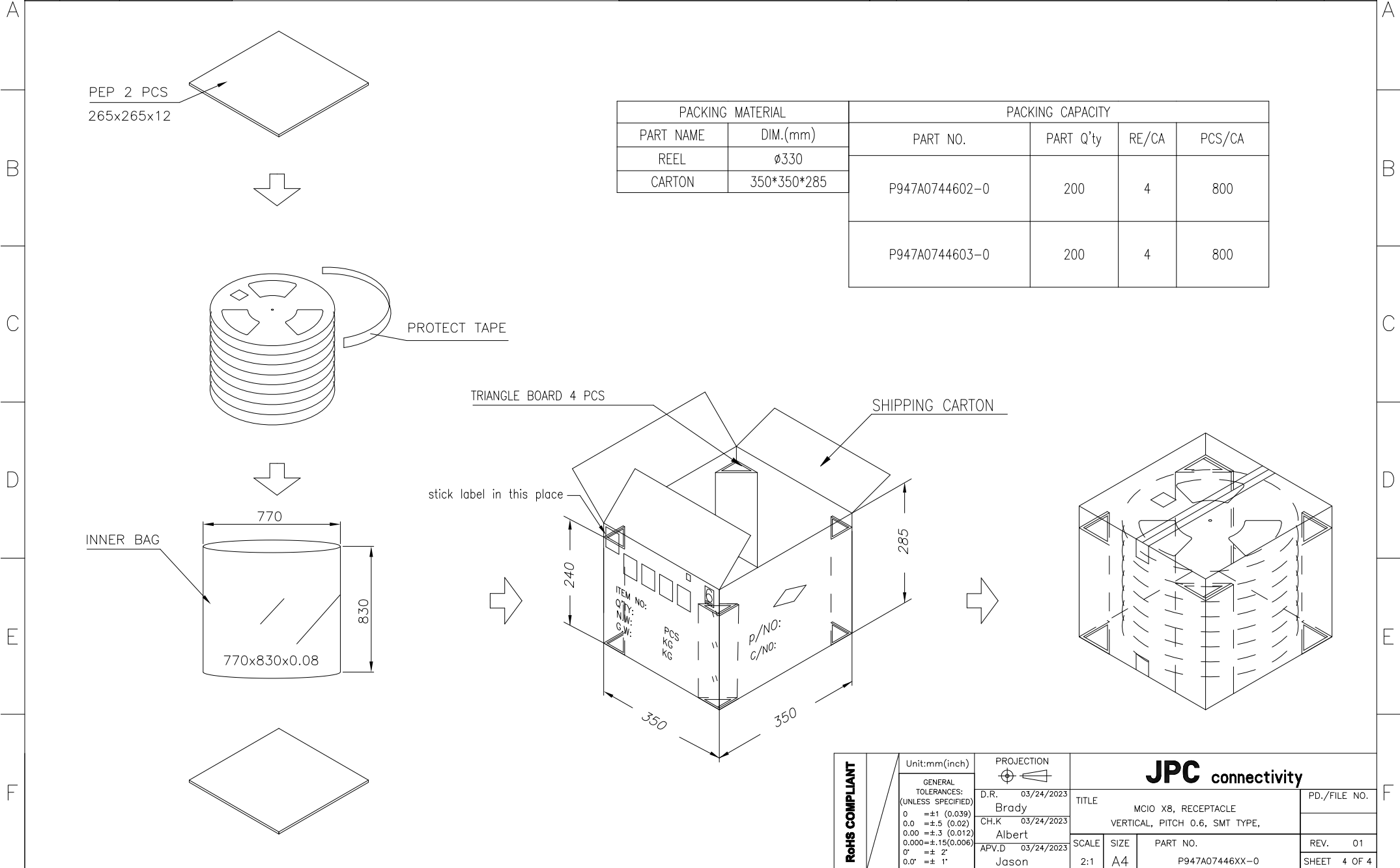


RoHS COMPLIANT	Unit:mm(inch)	PROJECTION	JPC connectivity	
	GENERAL TOLERANCES: (UNLESS SPECIFIED)	D.R. 03/24/2023	TITLE	PD./FILE NO.
	0 = ±1 (0.039)	Brady	MCIO X8, RECEPTACLE	
	0.0 = ±.5 (0.02)	CH.K 03/24/2023	VERTICAL, PITCH 0.6, SMT TYPE,	
0.00 = ±.3 (0.012)	Albert	SCALE	SIZE	PART NO.
0.000 = ±.15 (0.006)	APV.D 03/24/2023	2:1	A4	P947A07446XX-0
0° = ± 2'	Jason			REV. 01
0.0° = ± 1'				SHEET 2 OF 4

1	2	3	4	5	6	7	8				
THIS DRAWING AND THE DATA DISCLOSED HEREIN OR HEREWITH IS NOT TO BE REPRODUCED USED OR DISCLOSED IN WHOLE OR IN PART TO ANYONE WITHOUT THE PERMISSION OF JESS-LINK PRODUCTS CO.,LTD.(JPC)				CUSTOMER DRAWING DRWC-006766		REV.	ECN NO.	DESCRIPTION	MDF'D	APP'D	DATE
						01		INITIAL DESIGN	Brady	Jason	03/24/2023
						02					
						03					



RoHS COMPLIANT	Unit:mm(inch)	PROJECTION	JPC connectivity	
	GENERAL TOLERANCES: (UNLESS SPECIFIED)	D.R. 03/24/2023	TITLE	PD./FILE NO.
	0 = ±1 (0.039)	Brady	MCIO X8, RECEPTACLE	
	0.0 = ±0.5 (0.02)	CH.K 03/24/2023	VERTICAL, PITCH 0.6, SMT TYPE,	
0.000 = ±0.3 (0.012)	Albert	SCALE	SIZE	PART NO.
0.000 = ±0.15 (0.006)	APV.D 03/24/2023	2:1	A4	P947A07446XX-0
0° = ± 2'	Jason			REV. 01
0.0° = ± 1'				SHEET 3 OF 4



PACKING MATERIAL		PACKING CAPACITY			
PART NAME	DIM.(mm)	PART NO.	PART Q'ty	RE/CA	PCS/CA
REEL	ø330	P947A0744602-0	200	4	800
CARTON	350*350*285				
		P947A0744603-0	200	4	800

RoHS COMPLIANT	Unit:mm(inch)	PROJECTION	JPC connectivity	
	GENERAL TOLERANCES: (UNLESS SPECIFIED)	D.R. 03/24/2023	TITLE	PD./FILE NO.
	0 ±1 (0.039)	Brady	MCIO X8, RECEPTACLE	
	0.0 ±1.5 (0.062)	CH.K 03/24/2023	VERTICAL, PITCH 0.6, SMT TYPE,	
0.00 ±0.3 (0.012)	Albert	SCALE	SIZE	PART NO.
0.000 ±0.15 (0.006)	APV.D 03/24/2023	2:1	A4	P947A07446XX-0
0° ± 2'	Jason			REV. 01
0.0° ± 1'				SHEET 4 OF 4