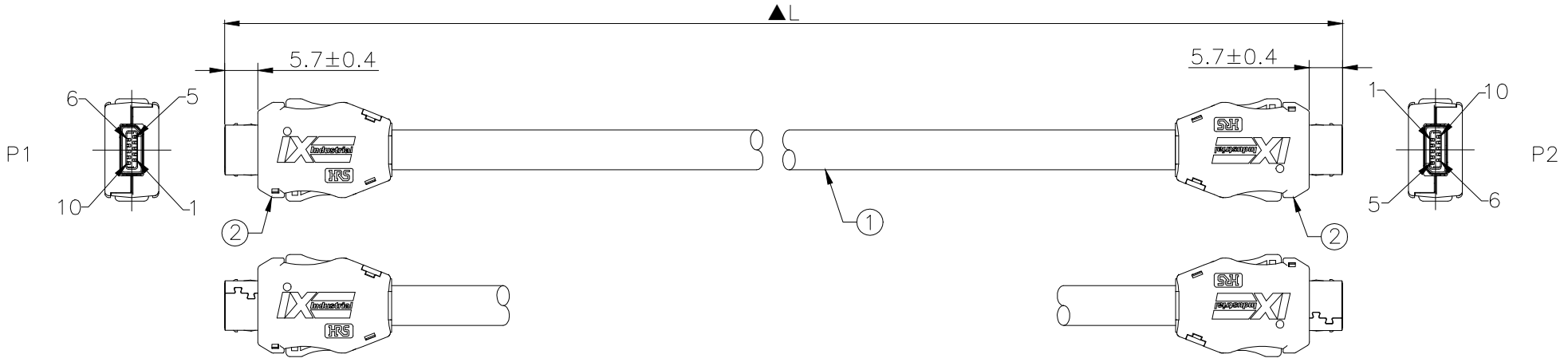


| | | |
|------|--|--|
| (M1) | | |
| (M2) | | |

THIS DRAWING AND THE DATA DISCLOSED HEREIN OR HEREWITH IS NOT TO BE REPRODUCED USED OR DISCLOSED IN WHOLE OR IN PART TO ANYONE WITHOUT THE PERMISSION OF JESS-LINK PRODUCTS CO.,LTD.(JPC)

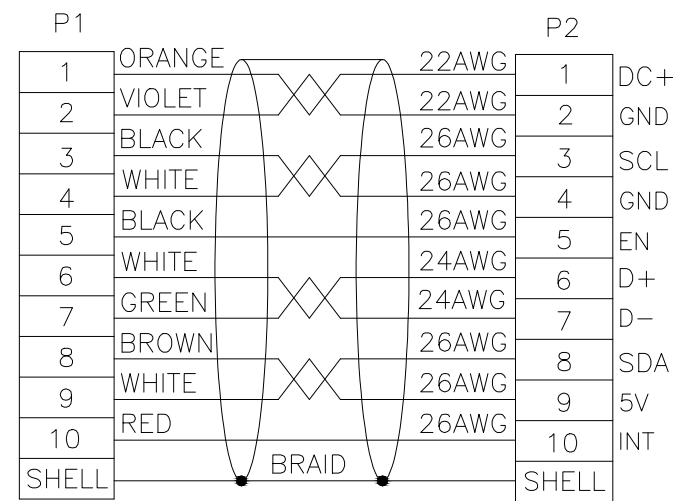
CUSTOMER DRAWING
DRWC-XXXXXX

| REV. | ECN NO. | DESCRIPTION | MDF'D | APP'D | DATE |
|------|---------|-------------------------------|-------|-------|------------|
| 03 | | ADD PART NO. AND CABLE LENGTH | Kevin | Sung | 02/14/2022 |
| 04 | | ADD PACKAGE DRAWING | Kevin | Sung | 06/09/2022 |
| 05 | | CHANGE PACKING QTY | Kevin | Sung | 08/01/2022 |



WIRE LIST

| JPC P/N | LENGTH |
|----------------|----------|
| PCB072A00003-1 | 1000±30 |
| PCB072A00003-2 | 3000±50 |
| PCB072A00003-3 | 5000±100 |



NOTE:
1.TESTING CONDITION
A.CONDUCTIVE RESISTANCE 5 Ohm Max.
B.INSULATION RESISTANCE 20M Ohm Min
WITH DC200V DURING 0.01second

| ITEM | SUPL | SUPL PN | DESCRIPTION | Q'TY |
|------|---------------|---------------------|---|------|
| 2 | HRS | IX40G-B-10S-CV(7.0) | HRS B TYPE PLUG | 2SET |
| 1 | SPACE SHUTTLE | | CABLE: UL2725 (24AWG*1P+A)+(22AWG*1P+A)+(26AWG*1P+A)*2+26AWG*2C+AB85% JACKET: PVC COLOR: BLACK OD: 6.8mm | A/R |

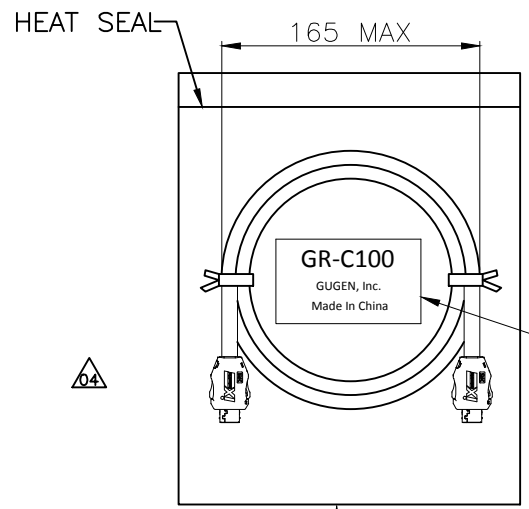
| | | | | | |
|-----------------------|--|-------------------|------------------------------------|-------------------------|------------------|
| RoHS COMPLIANT | Unit: mm | PROJECTION | | JPC connectivity | |
| | GENERAL TOLERANCES: (UNLESS SPECIFIED) | D.R. 07/20/2021 | TITLE | | FILE NO. |
| | 0 =±1 | Kevin | HRS B TYPE PLUG TO HRS B TYPE PLUG | | JPC-S06444 |
| | 0.0 =±.5 | CH.K 07/20/2021 | Cable Ass'y | | CUSTOMER C110166 |
| 0.00 =±.3 | David | SCALE | SIZE | PART NO. | REV. 05 |
| 0.000 =±.15 | APV.D 07/20/2021 | NONE | A4 | PCB072A00003-X | SH,T NO. 10F3 |
| σ = ± 2° | Sung | | | | |
| 0.0° = ± 1' | | | | | |

| | | |
|------|--|--|
| (M1) | | |
| (M2) | | |

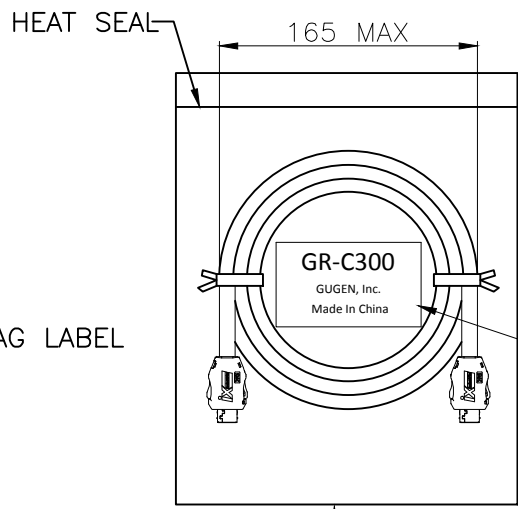
THIS DRAWING AND THE DATA DISCLOSED HEREIN OR HEREWITH IS NOT TO BE REPRODUCED USED OR DISCLOSED IN WHOLE OR IN PART TO ANYONE WITHOUT THE PERMISSION OF JESS-LINK PRODUCTS CO.,LTD.(JPC)

CUSTOMER DRAWING
DRWC-XXXXXX

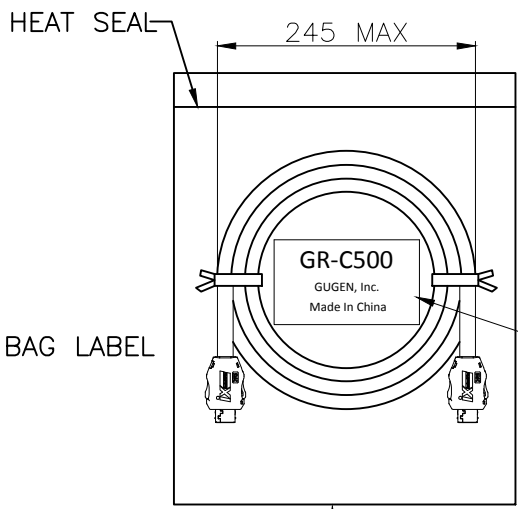
| REV. | ECN NO. | DESCRIPTION | MDF'D | APP'D | DATE |
|------|---------|-------------------------------|-------|-------|------------|
| 03 | | ADD PART NO. AND CABLE LENGTH | Kevin | Sung | 02/14/2022 |
| 04 | | ADD PACKAGE DRAWING | Kevin | Sung | 06/09/2022 |
| 05 | | CHANGE PACKING QTY | Kevin | Sung | 08/01/2022 |



PE BAG: L230*W210*T0.05mm
Customer P/N: GR-C100
JPC P/N: PCB072A00003-1



PE BAG: L230*W210*T0.05mm
Customer P/N: GR-C300
JPC P/N: PCB072A00003-2



PE BAG: L305*W254*T0.07mm
Customer P/N: GR-C500
JPC P/N: PCB072A00003-3



PE BAG LABEL

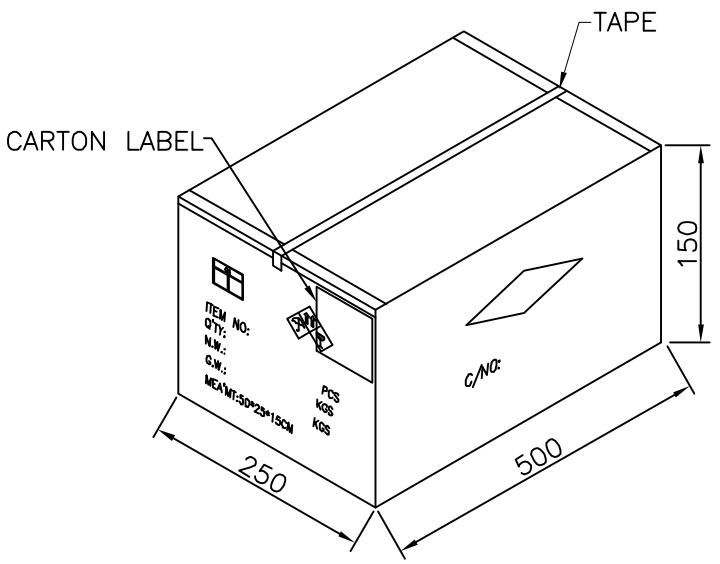
| | | | | | | |
|-----------------------|--|--------------------------|--|-------------------------|----------------------------|---|
| RoHS COMPLIANT | Unit: mm | PROJECTION | | JPC connectivity | | |
| | GENERAL TOLERANCES: (UNLESS SPECIFIED) | D.R. 07/20/2021 Kevin | TITLE HRS B TYPE PLUG TO HRS B TYPE PLUG Cable Ass'y | | | FILE NO. JPC-S06444 CUSTOMER C110166 |
| | 0 =±1 0.0 =±.5 0.00 =±.3 0.000=±.15 ∅ = ± .2 0.0 = ± .1 | CH.K 07/20/2021 David | SCALE NONE | SIZE A4 | PART NO. PCB072A00003-X | REV. 05 |
| | | APV.D 07/20/2021 Sung | | | SH,T NO. 20F3 | |

| | | | | | | | | | | |
|------|---|---|---|---------------------------------|------|---------|-------------------------------|-------|-------|------------|
| (M1) | \ | \ | THIS DRAWING AND THE DATA DISCLOSED HEREIN OR HEREWITH IS NOT TO BE REPRODUCED USED OR DISCLOSED IN WHOLE OR IN PART TO ANYONE WITHOUT THE PERMISSION OF JESS-LINK PRODUCTS CO.,LTD.(JPC) | CUSTOMER DRAWING DRWC-XXXXXX | REV. | ECN NO. | DESCRIPTION | MDF'D | APP'D | DATE |
| (M2) | \ | | | | 03 | | ADD PART NO. AND CABLE LENGTH | Kevin | Sung | 02/14/2022 |
| | | | | | 04 | | ADD PACKAGE DRAWING | Kevin | Sung | 06/09/2022 |
| | | | | | 05 | | CHANGE PACKING QTY | Kevin | Sung | 08/01/2022 |

| JPC P/N | Customer P/N | LENGTH | PACKING Qty |
|----------------|--------------|----------|--------------|
| PCB072A00003-1 | GR-C100 | 1000±30 | 50PCS/CARTON |
| PCB072A00003-2 | GR-C300 | 3000±50 | 20PCS/CARTON |
| PCB072A00003-3 | GR-C500 | 5000±100 | 15PCS/CARTON |

| | | | |
|--|--|---|--------------------------|
| 100 | | <p>部品票</p> <p>生產日期 Date Code</p> <p>產品名稱 Product Name</p> <p>客戶料號 Customer P/N</p> <p>JPC P/N</p> <p>供應商 Vendor Code</p> <p>數量 Qty</p> <p>箱號 Carton NO.</p> <p>QA檢驗 Quality Assurance</p> | |
| YYYY. MM. DD | | | ← 表示年月日, 如: 2022. 06. 09 |
| HRS B TYPE PLUG TO HRS B TYPE PLUG Cable Ass'y L=XXXXmm | | | ← 按每個料號的長度, 見左對照表 |
| GR-CX00 | | | ← 客戶料號見左對照表 |
| PCB072A00003-X | | | ← JPC料號見左對照表 |
| JESS-LINK PRODUCTS CO.,LTD | | | |
| XXX PCS | | | ← 每個料號包裝數量見左對照表 |
| 0001 | | | |
| | | | |
| | | | |

CARTON LABEL



| | | | | |
|----------------|--|-----------------|------------------------------------|---------------------|
| RoHS COMPLIANT | Unit: mm | PROJECTION | JPC connectivity | |
| | GENERAL TOLERANCES: (UNLESS SPECIFIED) | D.R. 07/20/2021 | TITLE | |
| | 0 = ±1 | Kevin | HRS B TYPE PLUG TO HRS B TYPE PLUG | |
| | 0.0 = ±.5 | CH.K 07/20/2021 | Cable Ass'y | |
| 0.00 = ±.3 | David | SCALE | SIZE | PART NO. |
| 0.000 = ±.15 | APV.D 07/20/2021 | NONE | A4 | PCB072A00003-X |
| 0 = ±.2 | Sung | REV. 05 | | FILE NO. JPC-S06444 |
| 0.0 = ±.1 | | SH,T NO. 30F3 | | CUSTOMER C110166 |