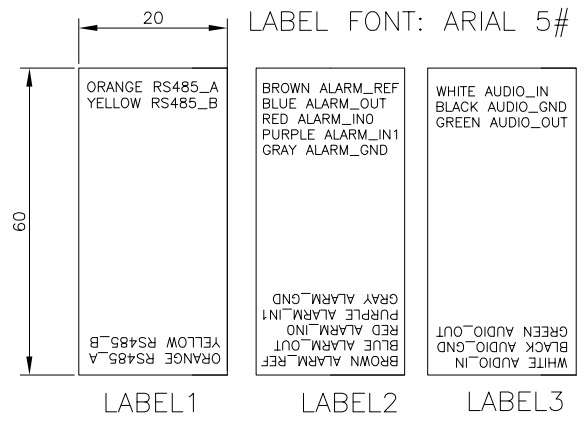
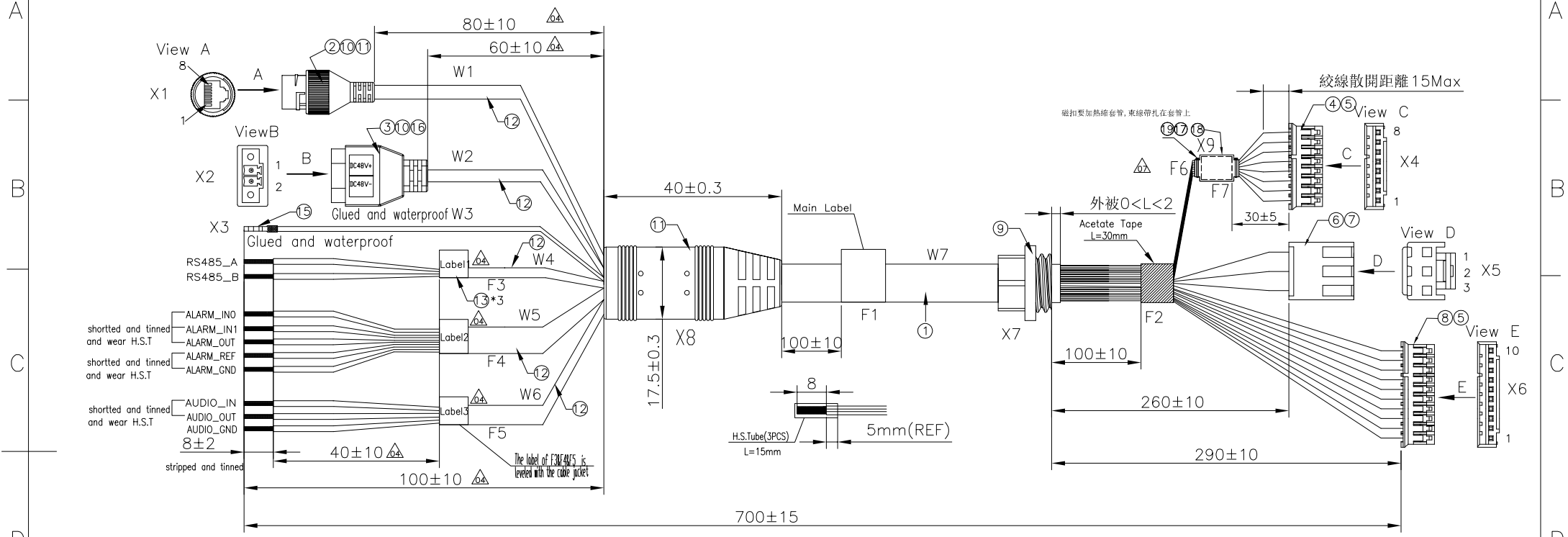


THIS DRAWING AND THE DATA DISCLOSED HEREIN OR HEREWITH IS NOT TO BE REPRODUCED USED OR DISCLOSED IN WHOLE OR IN PART TO ANYONE WITHOUT THE PERMISSION OF JESS-LINK PRODUCTS CO.,LTD.

CUSTOMER DRAWING

REV.	DESCRIPTION	MDF'D	APP'D	DATE
05	增加客户代码	Leilei	Shaoxu	2019/04/18
06	更新主標籤版本位置	qing_xu	Shaoxu	2019/05/07
07	增加磁环	Jianhua	Shaoxu	2019/06/18



19	束線帶	2
18	H.S TUBE BLACK OD:12.0mm	A/R
17	EM磁芯 12*20*5.6mm	1
16	OUTER MOLD:PVC GRAY(PANTONE 430U)90±2A(45P) -40°C~105°C	A/R
15	CORD END TERMINALS NYLON-INSULATED COLOR:ORANGE L=6.0mm,Suitable Wire:20AWG	1
14	ACETATE TAPE W=30mm T:0.22mm BLACK 130°C Max	A/R
13	LABEL	3
12	PVC TUBE BLACK -40°C~105°C	A/R
11	OUTER MOLD:PVC 90±2A(45P) BLACK -40°C~105°C	A/R
10	INNER MOLD:LDPE	A/R
9	MOLD SR, BLACK PVC 95±2A(35P) (-40°C~105°C)	1
8	PITCH2.0mm 1*10P HOUSING	1
7	PITCH3.96mm BRASS TERMINAL,TIN PLATED	3
6	PITCH3.96mm 1x3P HOUSING	1
5	PITCH2.0mm PHOSPHOR BRONZE TERMINAL,TIN PLATED	18
4	PITCH2.0mm 1x8P HOUSING	1
3	TB3.81 2PIN WITH LOCK GREEN,BRASS TIN-PLATED,UL94V-0(-40~105°C)	1
2	RJ45F, 圓形網口, 針鍍金	1
1	UL20276 CABLE{26AWG(7/0.16)*4P+20AWG(26/0.16)*3C+26AWG(7/0.16)*8C+26AWG(7/0.16)*1P}+TP JACKET:PVC OD=8.5mm (75~80 Shore A) (-40~105°C) BLACK VW-1 (4P線符合CAT5 UTP 規格)	A/R
ITEM	DESCRIPTION	Q'TY

ROHS COMPLIANT

Unit : mm		PROJECTION		JPC JESS-LINK PRODUCTS CO., LTD.	
GENERAL TOLERANCES: (UNLESS SPECIFIED)		D.R. 2019/06/18		TITLE	
0 = ±.30	0.0 = ±.20	Jianhua		M22全功能尾線	
0.00 = ±.10	0.000 = ±.05	CH.K		PRODUCT NO. OR LAYOUT C030115	
0° = ± 1'	0.0° = ±.50°	APV.D 2019/06/18		SCALE	SIZE
		Shaoxu		N/A	A4
				PART NO.	REV. 07
				PCB000000354-1 (04052209)	SH,T NO. 10F2

THIS DRAWING AND THE DATA DISCLOSED HEREIN OR HEREWITH IS NOT TO BE REPRODUCED USED OR DISCLOSED IN WHOLE OR IN PART TO ANYONE WITHOUT THE PERMISSION OF JESS-LINK PRODUCTS CO.,LTD.

CUSTOMER DRAWING

REV.	DESCRIPTION	MDF'D	APP'D	DATE
05	增加客户代码	Leilei	Shaoxu	2019/04/18
06	更新主標籤版本位置	aqing_xu	Shaoxu	2019/05/07
07	增加磁环	Jianhua	Shaoxu	2019/06/18

线位表1

X1	X4	功能定义	颜色
1	1	E_PHY_TX_P	白/橙
2	2	E_PHY_TX_N	橙
3	3	E_PHY_RX_P	白/绿
6	4	E_PHY_RX_N	绿
4	5	VDD_POE_IN2_P	蓝
5	6	VDD_POE_IN2_P	白/蓝
7	7	VDD_POE_IN2_N	白/棕
8	8	VDD_POE_IN2_N	棕

线位表2

X2	X5	功能定义	颜色
1	1	DC48V+	红
2	3	DC48V-	黑

线位表3

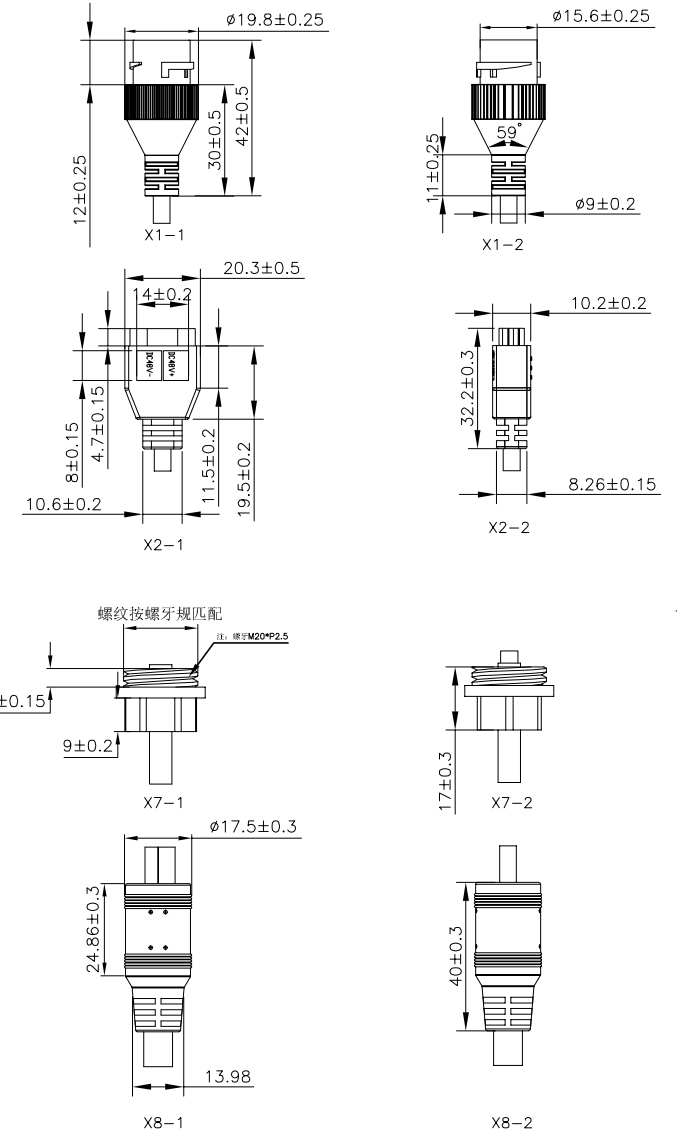
X3	X5	功能定义	颜色
1	2	PGND	黄/绿

线位表4

W4-W6	X6	功能定义	颜色
W4	3	RS485_A	橙
W4	4	RS485_B	黄
W5	1	ALARM_REF	棕
W5	7	ALARM_GND	灰
W5	5	ALARM_IN0	红
W5	6	ALARM_IN1	紫
W5	2	ALARM_OUT	蓝
W6	10	AUDIO_IN	白
W6	8	AUDIO_OUT	绿
W6	9	AUDIO_GND	黑



- NOTE: LABEL FONT: ARIAL 7#
- a.P/N=CUST P/N
b.V3.0=CUSTOMER ACKNOWLEDGEMENT REV
 - 2.LABLE INFO:1904052209/Z02JH9YYWWS000001
a.04052209=CUST P/N
b.Z02JH9=VENDOR CODE
c.YY=YEAR OF MANUFACTURE
d.WW=WEEK OF MANUFACTURE
e.S=SERIAL NUMBER
f.000001= RUNNING CODE
6CODE,10 进制,FROEM 1-999999 INCREMENTAL NUMBER
1=000001,10=000010,11=000011.....
 - 3.BARCODE TYPE: Data Matrix(ECC 200)
 - 4.BARCODE CONTENT:
1904052209 / Z02JH9 YY WW S000001
固定码 客户料号 间隔符 供应商代码 年后两位 生产周别 序号
 - 5.LABEL FONT: ARIAL
 - 6.包装:20PCS一袋
 - 7.ELECTRICAL TEST:100% OPEN ,SHORT ,MIS-WIRE TEST;
 - 8.CONDUCTION RESISTANCE: 2 OHM (MAX.);
 - 9.INSULATION RESISTANCE: 20M OHM (min.)/300V DC;
 - 10.20AWG POWER WIRE RATED CURRENT: 5A;
 - 11.ALL MATERIAL MUST BE MEET THE ROHS2.0&REACH COMPLIANT.



RoHS COMPLIANT	Unit : mm	PROJECTION	JPC JESS-LINK PRODUCTS CO., LTD.	
	GENERAL TOLERANCES: (UNLESS SPECIFIED)	D.R. 2019/06/18	TITLE	PRODUCT NO. OR LAYOUT
	0 = ±.30 0.0 = ±.20 0.00 = ±.10 0.000 = ±.05 σ = ±.1° 0.0° = ±.50°	Jianhua CH.K	M22全功能尾线	C030115
		APV.D 2019/06/18 Shaoxu	SCALE N/A SIZE A4	PART NO. PCB000000354-1 (04052209) REV. 07 SH,T NO. 20F2