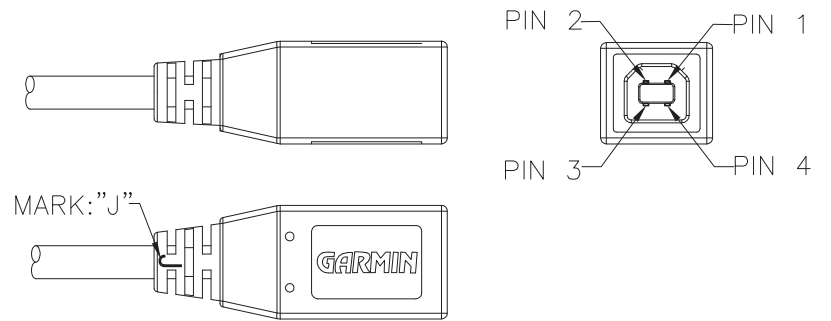


TESTING CONDITION:
 A.COND:2.0 OHM
 B.I.R:20M OHM
 DC200V/0.5S



PIN OUT

CONTACT NUMBER	WIRING ASSIGNMENT
1	24AWG (RED)
2	28AWG (WHITE)
3	28AWG (GREEN)
4	24AWG (BLACK)
SHELL	28AWG DRAIN WIRE