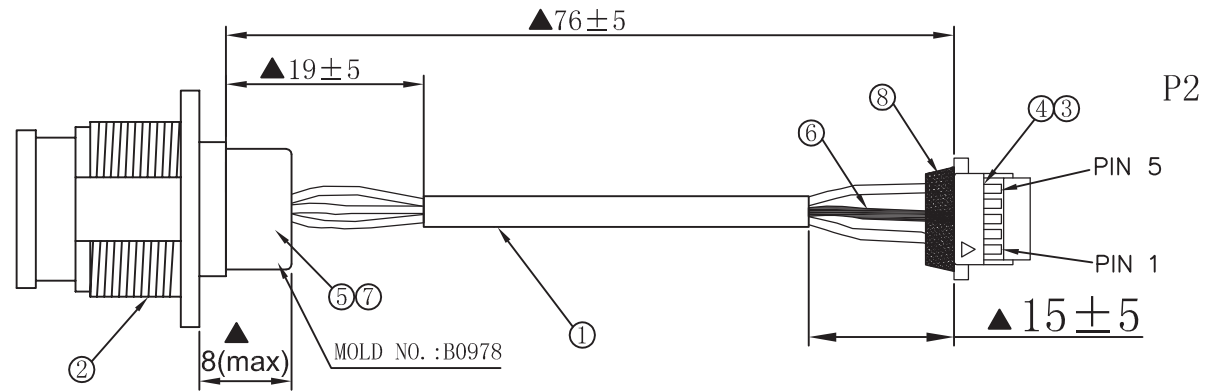


TEST CONDITION:
 COND:2 OHM
 IR. : 20M OHM
 HI-POT : DC 200V/0.5S

P1



P2

PIN OUT

