

TABLE A

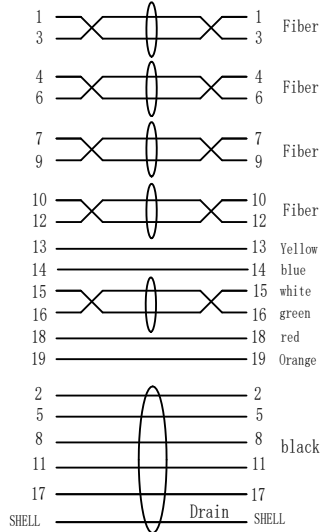
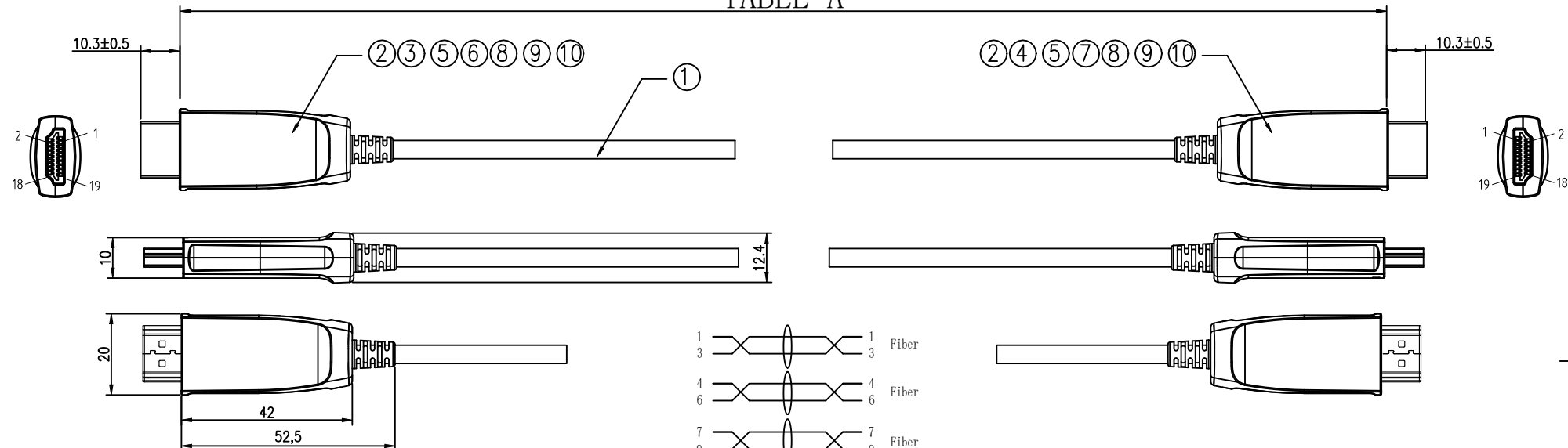


TABLE A

P/N	Length (mm)
PK3H3U00AA01-1	10000±200
PK3H3U00AA01-2	20000±300
PK3H3U00AA01-3	30000±400
PK3H3U00AA01-4	40000±500
PK3H3U00AA01-5	50000±1000
PK3H3U00AA01-6	60000±1000
PK3H3U00AA01-7	70000±1000
PK3H3U00AA01-8	80000±1000
PK3H3U00AA01-9	90000±1000
PK3H3U00AA01-A	100000±1000

NOTES:
 8K@60Hz
 Support 48Gbps
 Support 100M

10	Screw	4	PCS
9	Wire Spacer	2	PCS
8	Strain Relief	2	PCS
7	HDMI A plug outer shell(lower shell)black(Display)	1	PCS
6	HDMI A plug outer shell(lower shell)black(Source)	1	PCS
5	HDMI A plug outer shell(upper shell)black	2	PCS
4	HDMI A PCBA (Display)	1	PCS
3	HDMI A PCBA (Source)	2	PCS
2	HDMI A Plug Gold Plating	2	PCS
1	HDMI Active Optical Cable (4 Optical Fiber+7 Elctrical cable) black PVC OD:4.5MM	TABLE A	mm
ITEM	DESCRIPTION	Q'TY	UNIT

RoHS COMPLIANT

Unit : mm	PROJECTION 	JPC connectivity	
GENERAL TOLERANCES: (UNLESS SPECIFIED) 0 = ±.50 0.0 = ±.25 0.00 = ±.15 0.000 = ±.05 0° = ± 2° 0.0° = ± 1°	D.R. 10/13/2020 Rory CHK	TITLE HDMI 2.1 Active Optical Cable, OD 4.5mm	PRODUCT NO. / LAYOUT TP0112
APV.D	SCALE 1:1	SIZE A4	DWG NO. PK3H3U00AA01-X
			REV. 02 SHEET 1 OF 1